

HC-49US, SMD Type (3.3mm height max.)

Resistance Weld Crystal

Applications:

- Notebook PC
- Portable PC



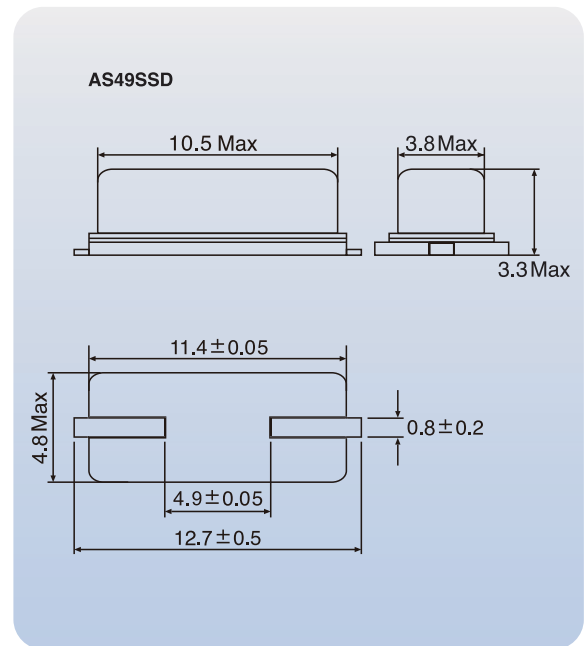
FEATURES

- Metal Welded Package
- Excellent Frequency Aging Stability
- High Shock Resistance
- High Heat Resistance
- RoHS Compliant

SPECIFICATION

MODEL	AS49SSD	
Frequency		
Frequency Range (Fundamental)	MHz	3.200 ~ 40.000
Frequency Range (3rd overtone)		24.000 ~ 80.000
Frequency Tolerance (25°C)	ppm	± 10 ~ ± 50
Frequency Stability (Ref to 25°C)	ppm	± 10 ~ ± 50
Environmental Condition		
Operating Temperature Range	°C	-10 to +70
Storage Temperature Range	°C	-40 to +85
Aging	ppm/Year	± 5 Max.
Electrical Specifications		
Test Circuit	S&A 350A with π Fixture	
Load Capacitance (CL)	pF	10pF ~ Series (Customer Specified)
Drive Level	uW	0.01uW Min.
Equivalent Series Resistance	Ω	see table
Insulation Resistance	More than 500M Ω at DC 100V	
Shunt Capacitance (Co)	pF	5.0 (Max.)

DIMENSION (mm)

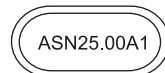


Mode/Cut and Equivalent Series Resistance (Ω)

Frequency (MHz)	Mode	Max ESR Ω
3.200~ 3.999	Fundamental/AT	200
4.000~5.999	Fundamental/AT	100
6.000~7.999	Fundamental/AT	60
8.000~11.999	Fundamental/AT	50
12.000~14.999	Fundamental/AT	40
15.000~37.000	Fundamental/AT	30
20.000~45.000	Fundamental/BT	30
24.000~44.999	3rd overtone/AT	80
45.000~80.000	3rd overtone/AT	60

MODEL	H(mm) SMD High
AS49SD	3.8±0.4
AS49SSD	3.0±0.3

MARKING RULE



Frequency Date Code

PART NUMBERING GUIDE

Example: AS49SSD-25M-FE160E2

MODEL	Frequency	Mode	Tolerance	CL	Stability	OP Temp Range
AS49SSD	In MHZ	F: Fundamental 3: 3rd Overtone	A: ± 10ppm B: ± 15ppm C: ± 20ppm D: ± 25ppm E: ± 30ppm F: ± 50ppm G: ± 100ppm O: Others	080: 8pF 125: 12.5pF 160: 16pF 180: 18pF 200: 20pF 300: 30pF 320: 32pF S: Series	A: ± 10ppm B: ± 15ppm C: ± 20ppm D: ± 25ppm E: ± 30ppm F: ± 50ppm G: ± 100ppm O: Others	1: 0 to +70°C 2: -10 to +70°C 3: -20 to +70°C 4: -20 to +80°C 5: -40 to +85°C 6: -40 to +105°C 0: Others