



OZDISAN ELECTRONIC A.S.

# FT810 Driver Board for 7” 800X480 TFT V1

**OZD-FT810-DRV000-V1 (with voice output)**  
**OZD-FT810-DRN000-V1 (without voice output)**

Doc. Version: 1.0

29.03.2016

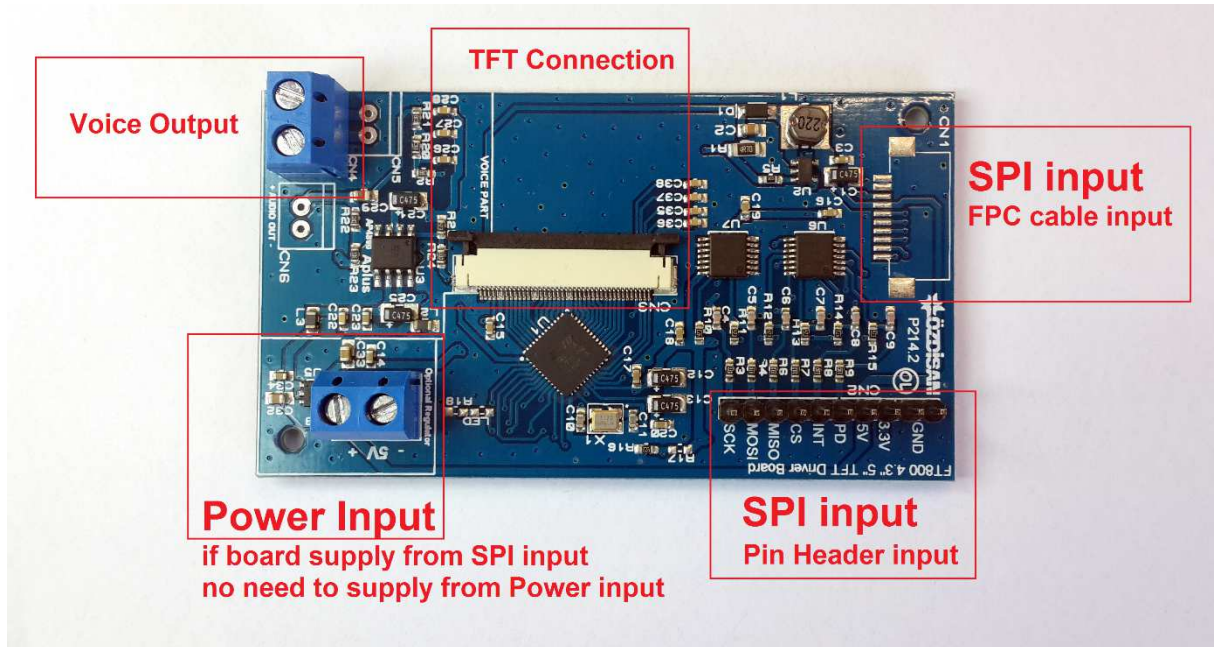
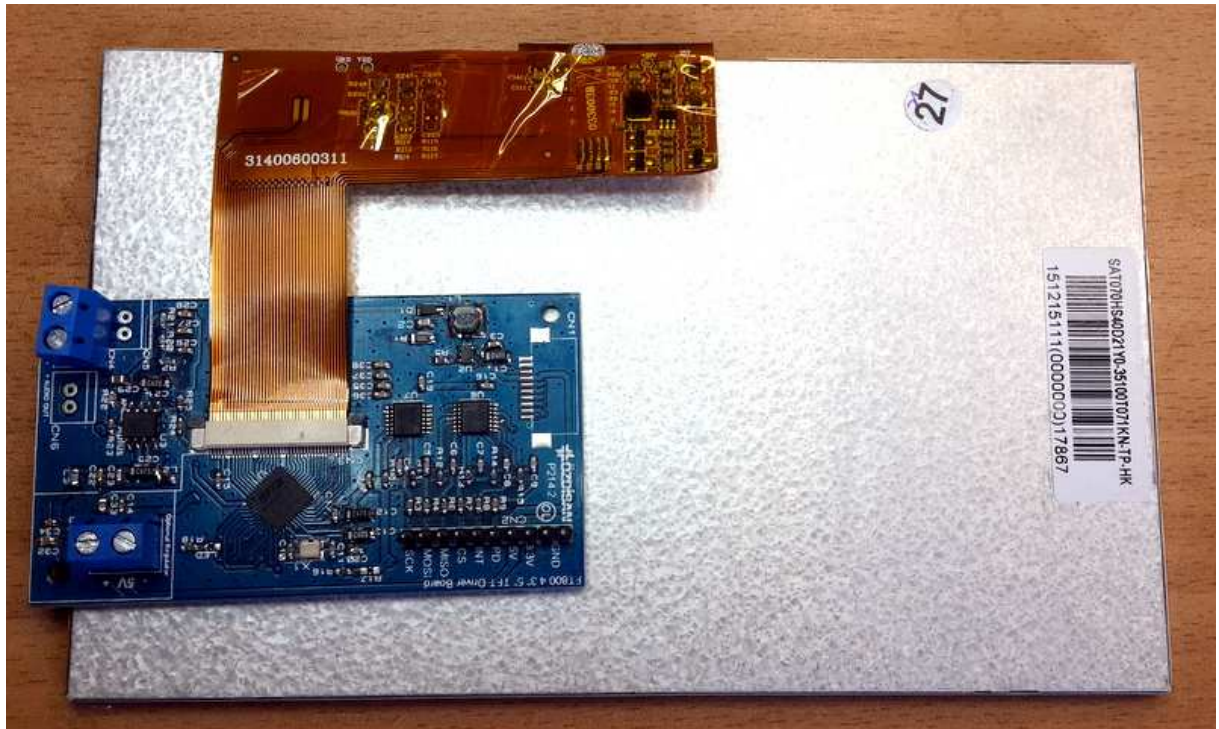


*Özdisan Electronic R&D and Technical Support Department*

*Email: [ts@ozdisan.com](mailto:ts@ozdisan.com) Tel: +90 2164201882*

[www.ozdisan.com](http://www.ozdisan.com)

## Product Pictures



## Main Parameters

Board supply voltage	5V
PIN input Voltage	2.7V ~ 5.5V
Working current Sleep current	400 mA <1mA
Working temperature scope	-20°C ~ +60°C
Storage temperature scope	-40°C ~ +70°C

## Controller Information

### Built-in FT810

The FT810 is an easy to use graphic controller targeted for embedded applications to generate high-quality Human Machine Interfaces (HMIs). includes graphic controller, audio processing, and resistive touch controller.

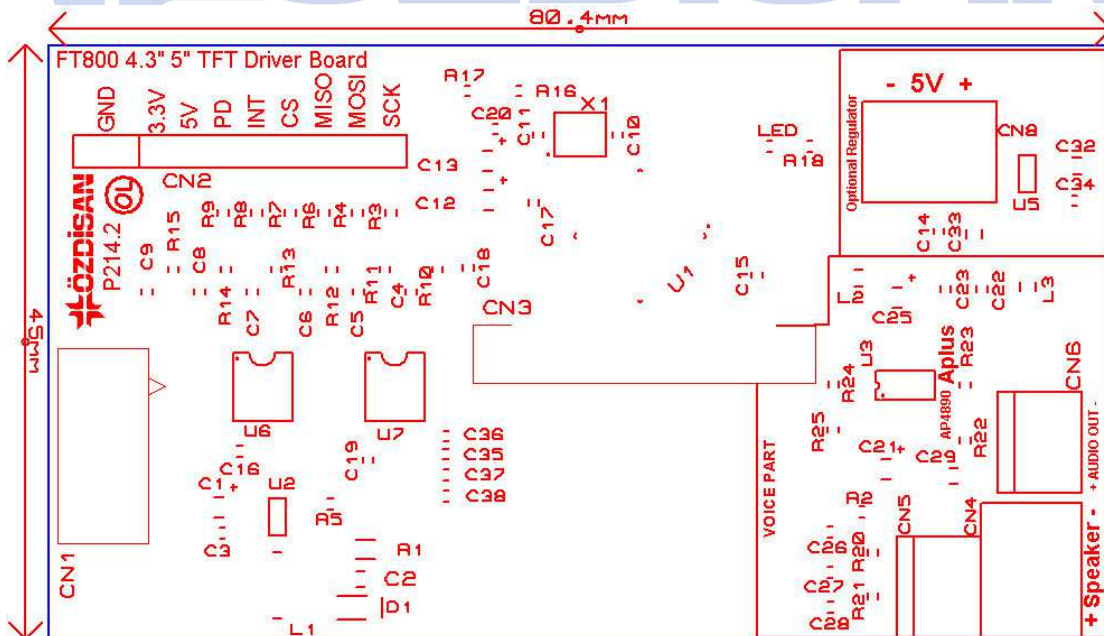
### Pin description for CN2: SPI input from User's MCU (FPC cable output available CN1)

Pin No.	Symbol	Function Description
10	GND	GND
9	GND	GND
8	3.3V	Voltage output
7	5V	Board Supply input
6	PD	Board Enable, activate FT810, input, 3.3V-5V
5	INT	Chip Interrupt output, 3.3V
4	CS	SPI chip select, input, active low
3	MISO	SPI Master In, Slave out
2	MOSI	SPI Master Out Slave in
1	SCK	SPI Clock input

### Pin Description for CN3: Pin Connections to TFT Panel

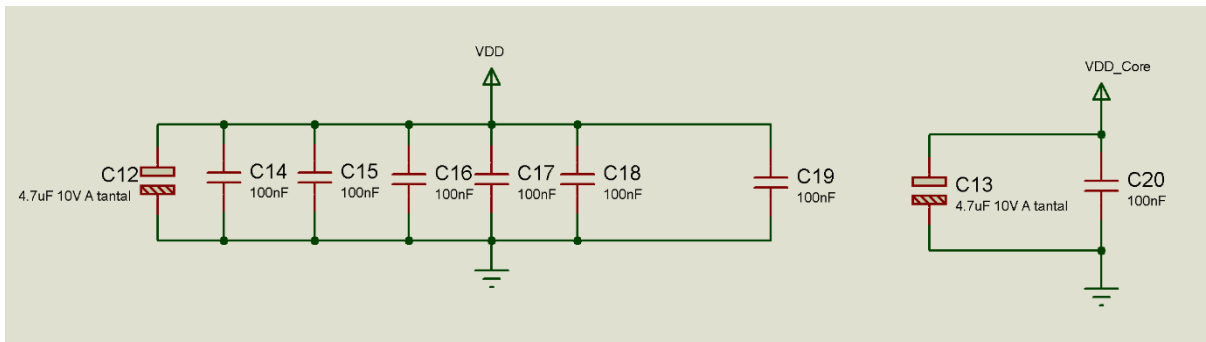
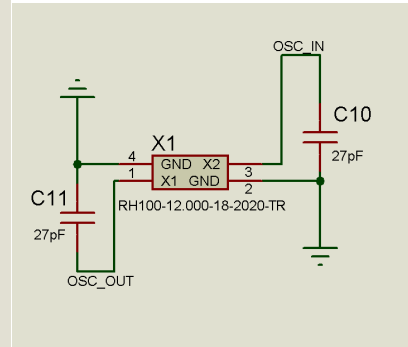
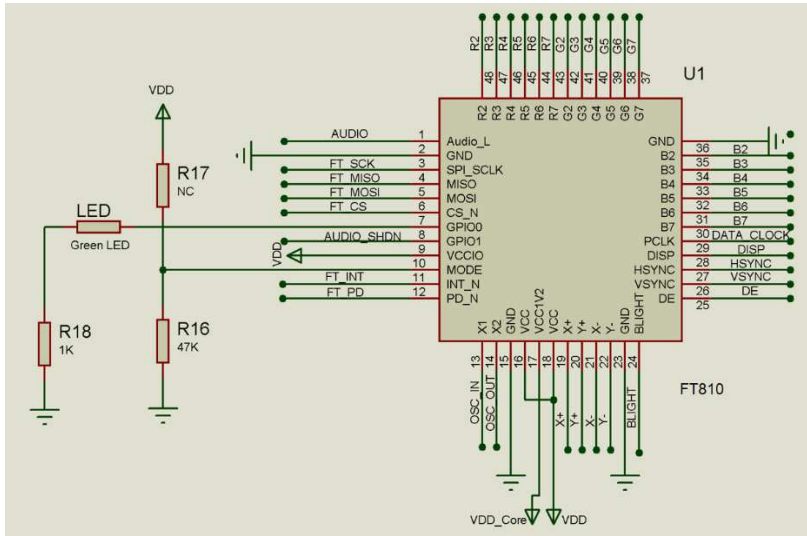
Pin No.	Symbol	Function Description
1	LED-	LED Cathode
2	LED+	LED Anode
3	GND	Power Ground
4	VDD	Power Voltage(3.3V)
5-12	R0-R7	Red Data 0-7
13-20	G0-G7	Green Data 0-7
21-28	B0-B7	Blue Data 0-7
29	GND	Power Ground
30	DCLK	Pixel clock
31	DISP	Display on/off
32	HSYNC	Horizontal sync signal
33	VSYNC	Vertical sync signal
34	DE	Data enable
35	NC	No connection
36	GND	Power Ground
37	X_R	Right electrode
38	Y_B	Bottom electrode
39	X_L	Left electrode
40	Y_T	Top electrode

## Outline Dimensions

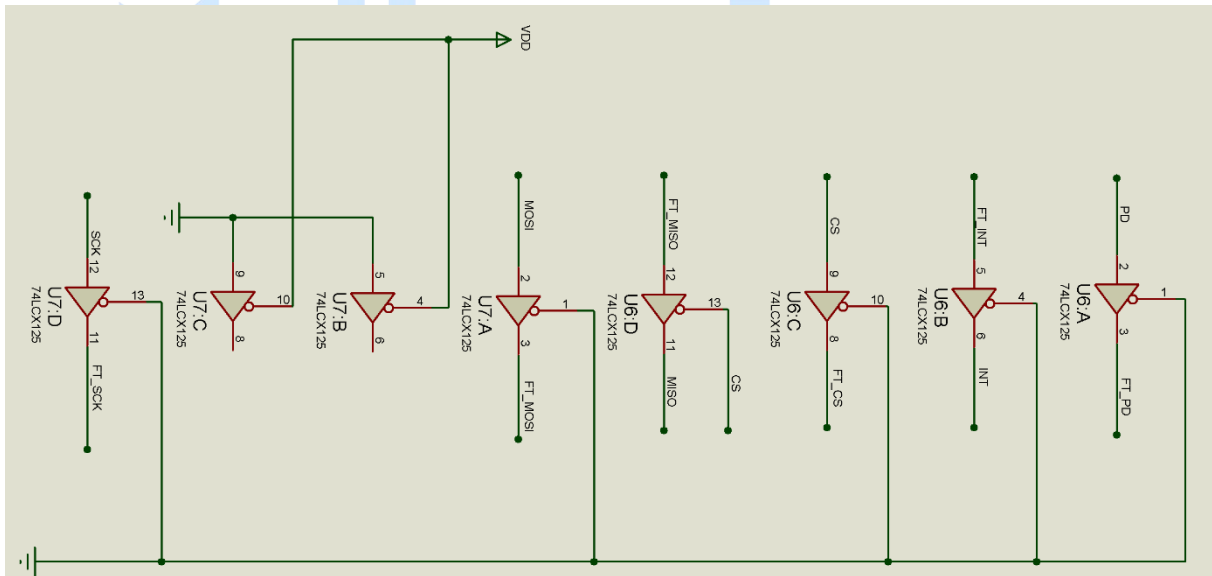
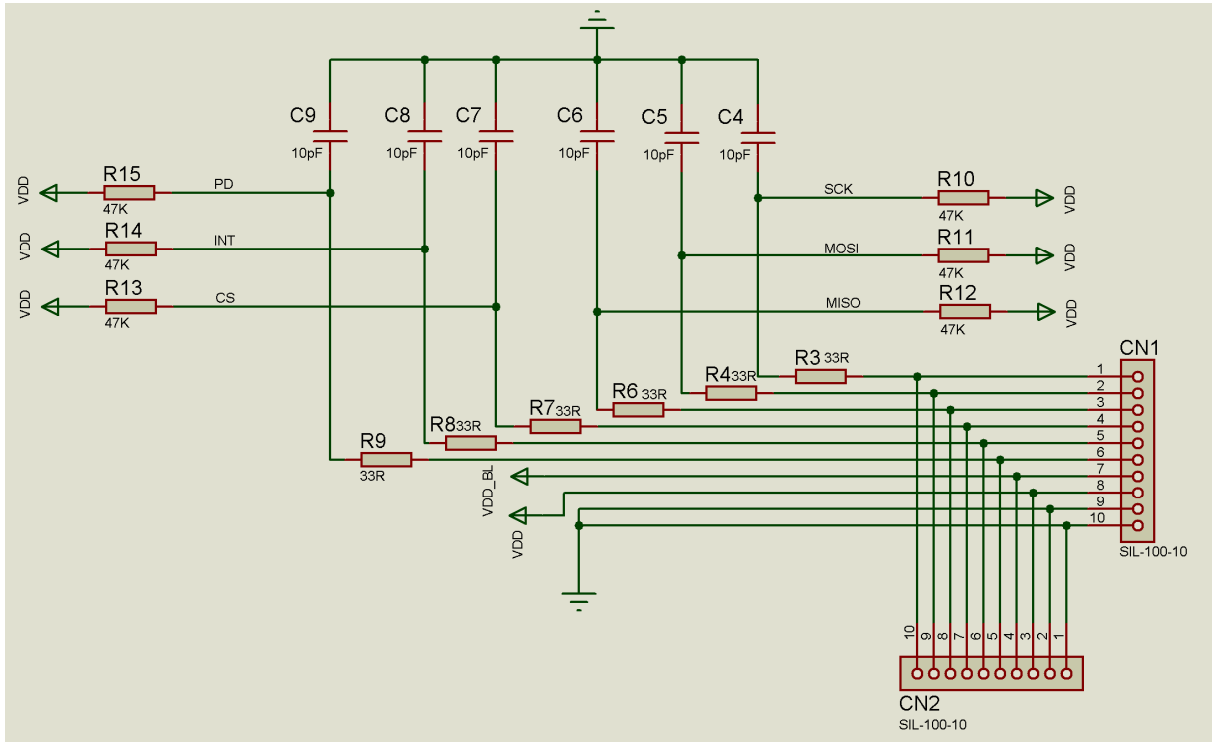


## Schematics

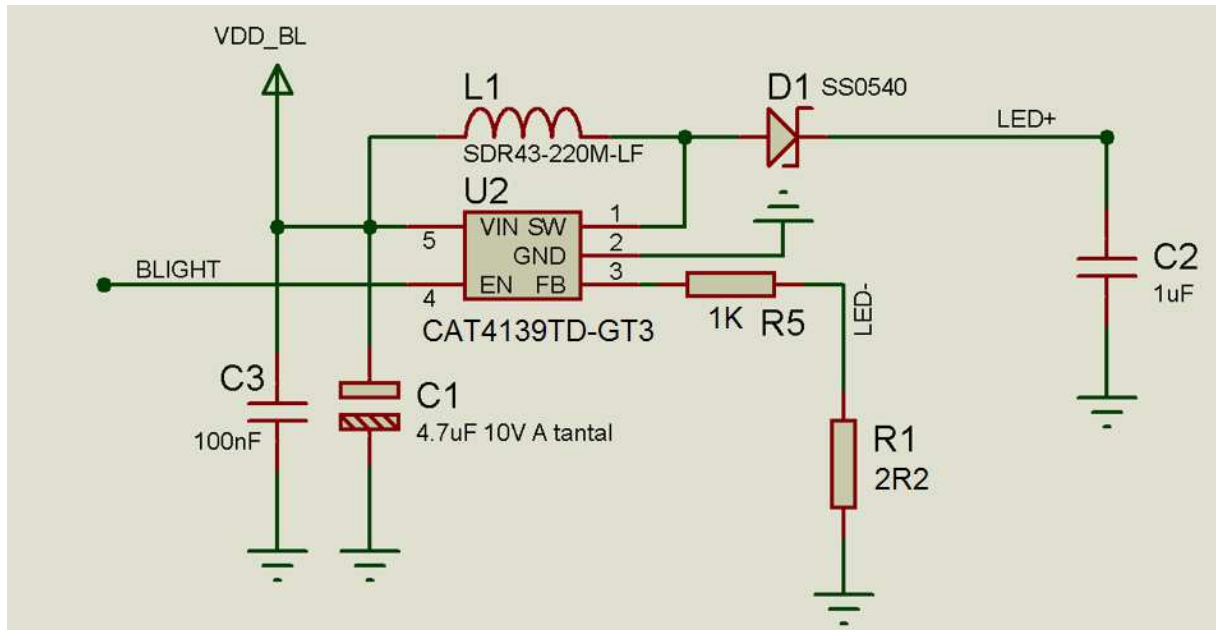
### FT810



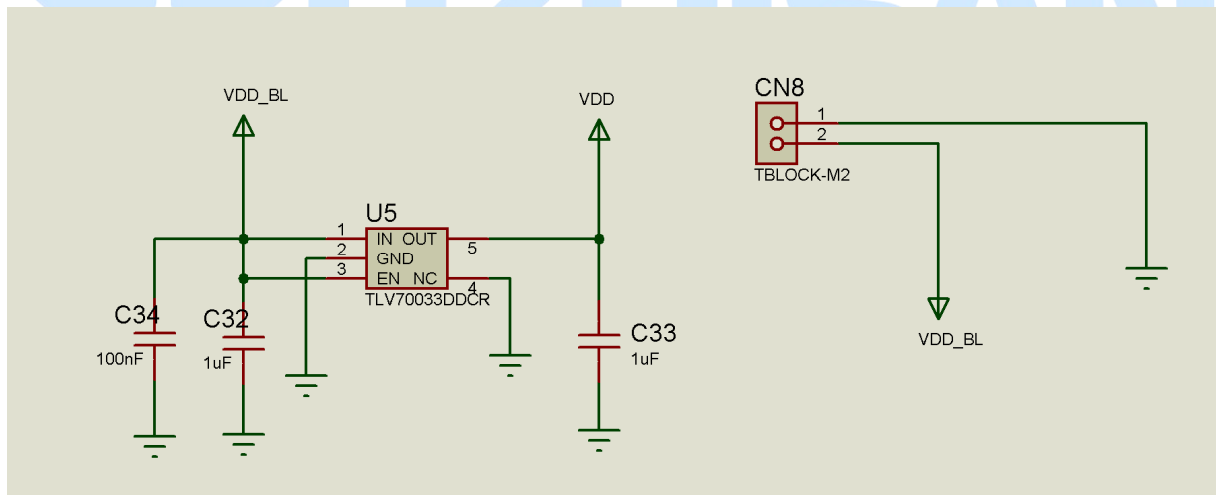
## Input Buffer



## Backlight

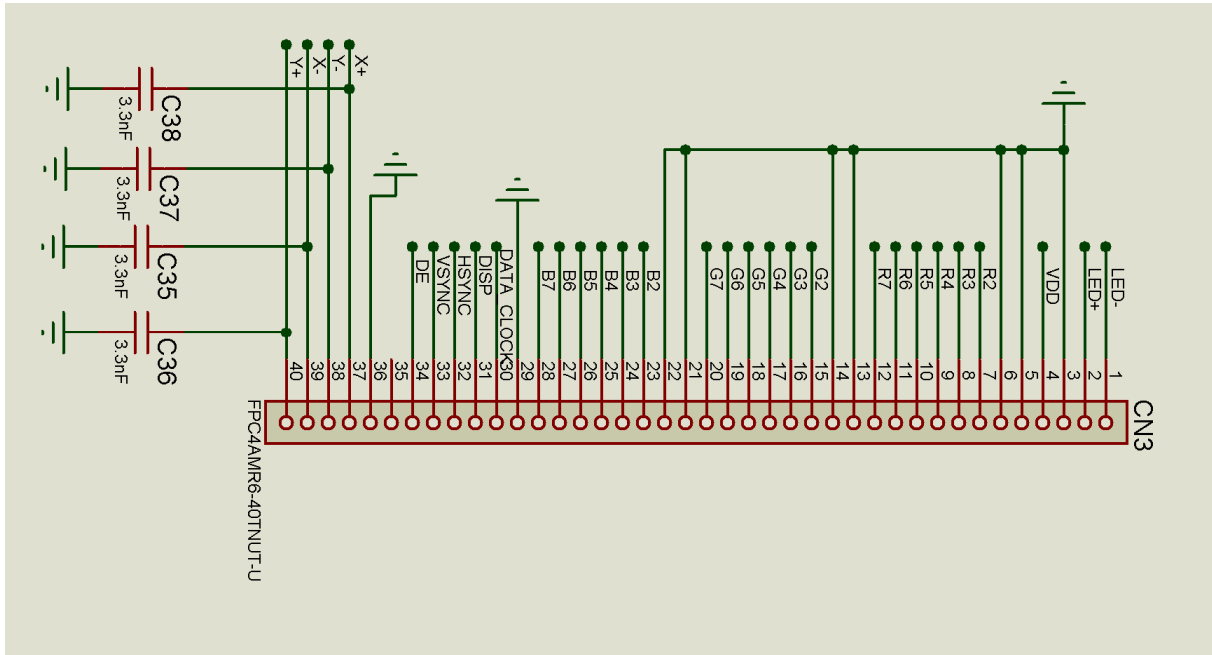


## Voltage Regulator

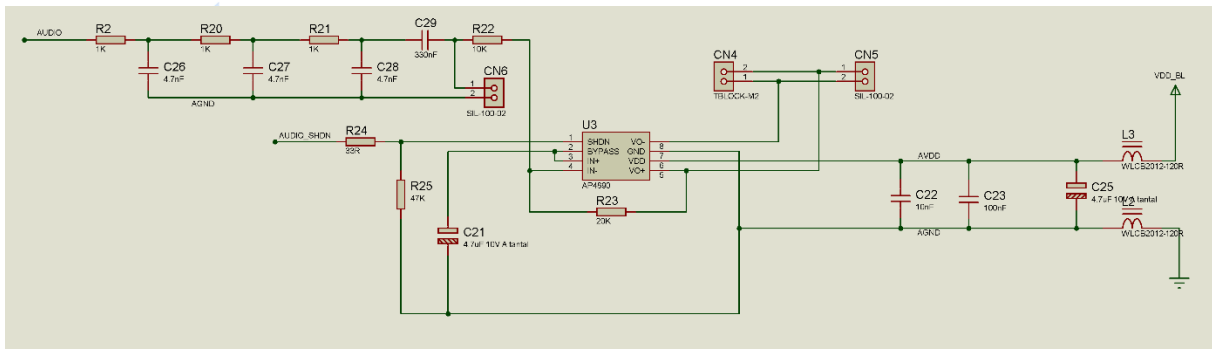




## TFT connection



## Voice output



Software examples can be downloaded here.

[http://www.ftdichip.com/Support/SoftwareExamples/FT800\\_Projects.htm](http://www.ftdichip.com/Support/SoftwareExamples/FT800_Projects.htm)

<http://www.ozdisan.com/Solutions/Library>

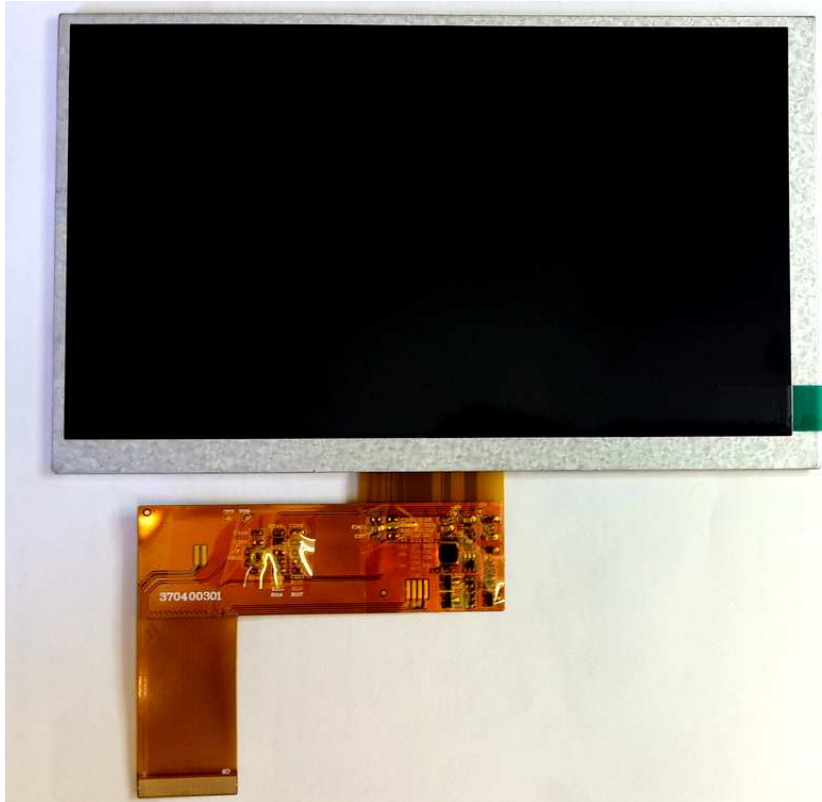


# FT810 Driver Board for 7" 800X480 TFT V1



TFT Panels which can be used with this board.

7" 800X480 panel without touch.



[SAT070HS40D21Y0-351001](#)

7" 800X480 panel with touch.



[SAT070HS40D21Y0351001TP](#)

All of the TFT options can be seen here.

<http://www.ozdisan.com/Category/Index/459>

