

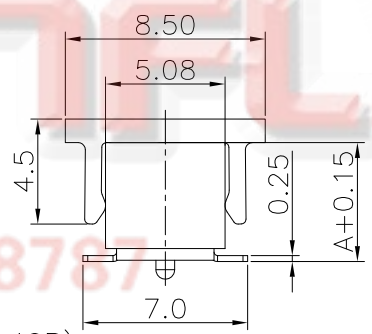
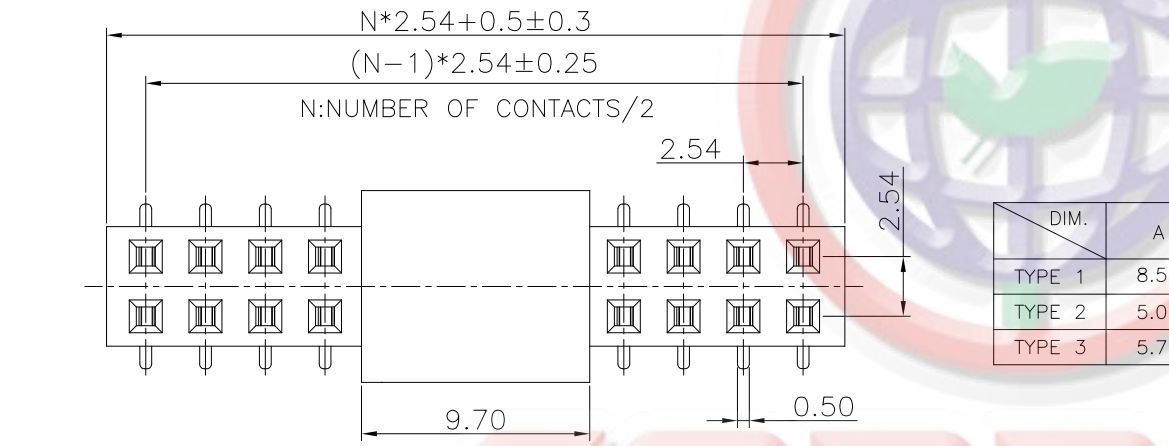
REV.	DESCRIPTION	DRAWN	CHECKED	APPROVED
A	NEW RELEASE	YCH 11/20/07'	~	LJC 11/20/07'
B	ADD HOUSING HEIGHT	JLZ 05/16/15'	HZW 05/16/15'	LJC 05/16/15'
C	DRAWING UPDATE	JLZ 08/02/16'	HZW 08/02/16'	LJC 08/02/16'
D	DRAWING UPDATE	JLZ 04/25/18'	~	

NOTES:

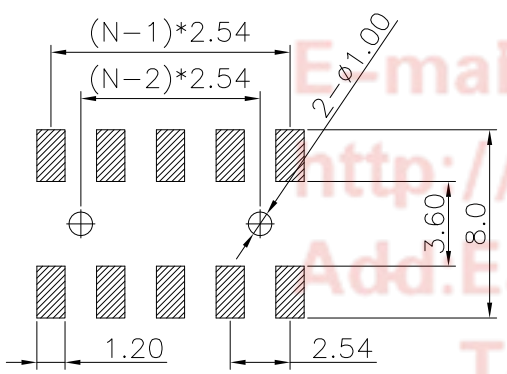
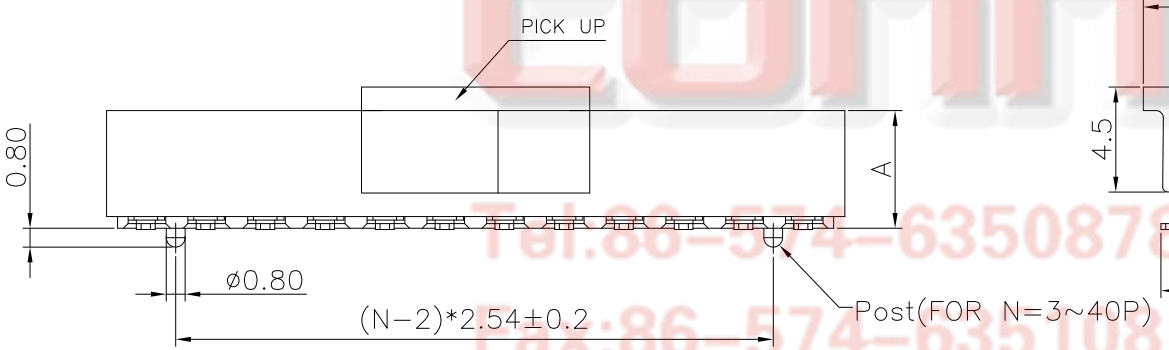
- MATERIAL
  - INSULATOR MATERIAL: THERMOPLASTIC (UL 94V-0).
  - CONTACT MATERIAL: COPPER ALLOY.
- SPECIFICATION
  - TEMPERATURE: -40° to +105°C.
  - DIELECTRIC WITHSTANDING VOLTAGE: AC 500V AC.
  - INSULATION RESISTANCE: 1000MΩ min.
  - CONTACT RESISTANCE: 20mΩ max.
  - CURRENT RATING: 3A.
- PRODUCT NUMBER CODE:
 

DS1023-15 - X X X X X X X

DIM.	A
TYPE 1	8.50
TYPE 2	5.00
TYPE 3	5.70



- PROFILE HEIGHT (DIM A)
  - 1: 8.5mm
  - 2: 5.0mm
  - 3: 5.7mm
- POST SUPPORT
  - S/W/ POST
  - X/W/O POST
- PACKING TYPE
  - T: TRAY
  - R: TAPE ON REEL
  - B: TUBE
- PICK UP SUPPORT
  - S/W/ PICK UP
  - X/W/O PICK UP
- CONTACT PLATING
  - 8: FULL GOLD FLASH
- HOUSING COLOR
  - B: BLACK
- No. OF CONTACTS
  - 2\*2-2\*40



GENERAL TOLERANCE		ANGLE TOLERANCE	
X.	±0.60	X.	±5°
.X	±0.38	.X	±3°
.XX	±0.25	.XX	±2°

DRAWING TYPE	CUSTOMER
SCALE	1:1
DRAWING NO.	C-DS1023-15-XXXXXXX-D

PROJECTION	TITLE
UNITS: mm	FEMALE HEADER PITCH
SHEET SIZE: A4	2.54mm SMT TYPE H=8.5/5.0/5.7mm
	SERIES: DS1023-15 SERIES

**CONNFLY 晨翔电子有限公司**  
**CONNFLY ELECTRONIC CO. LTD**