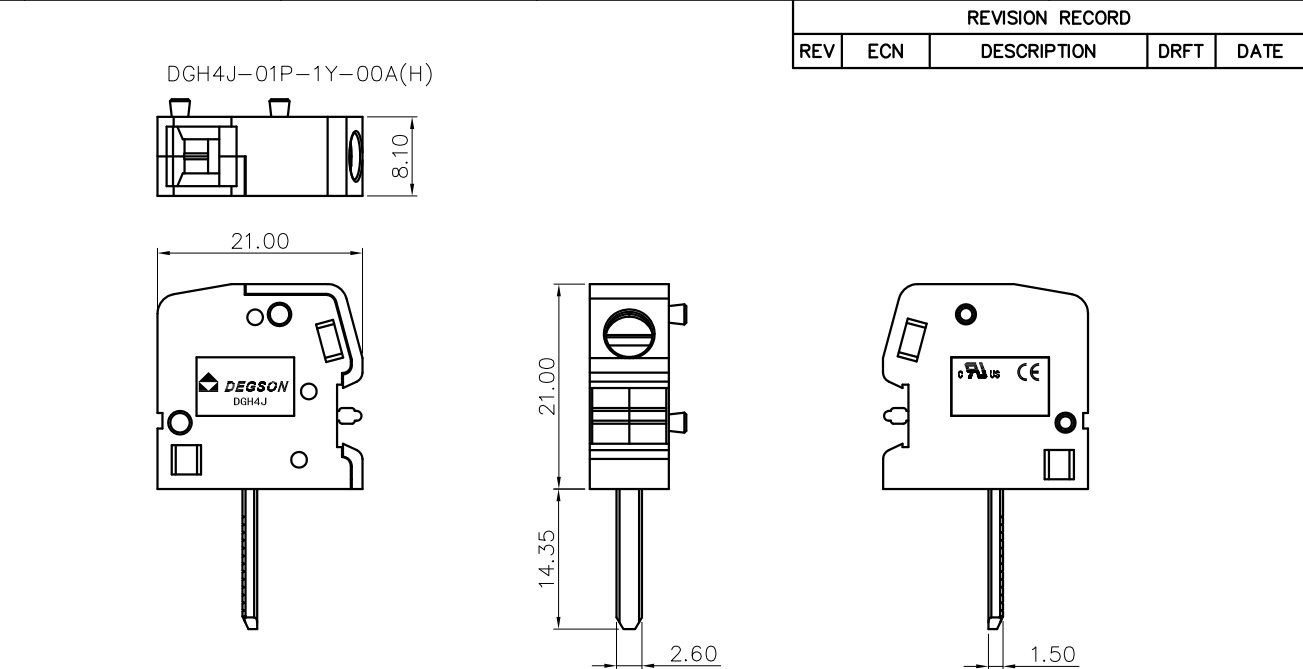
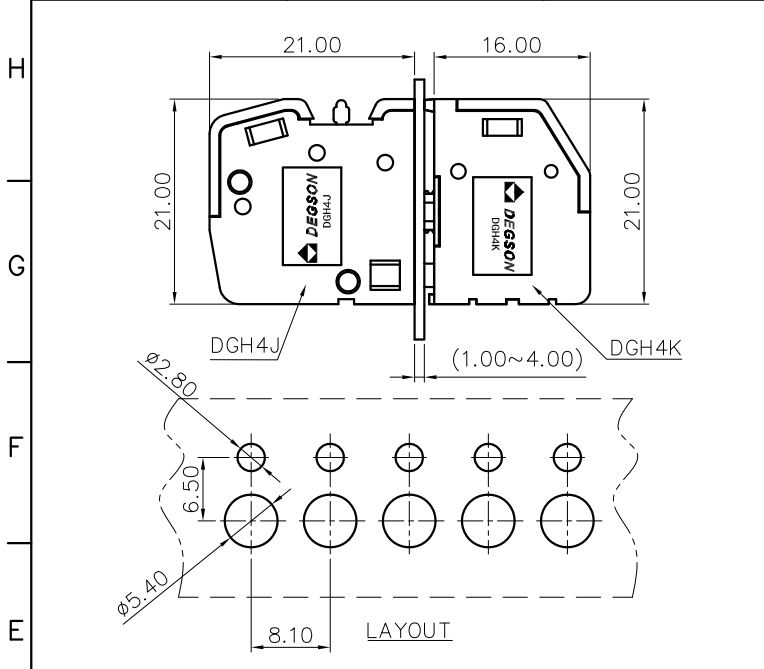


REVISION RECORD				
REV	ECN	DESCRIPTION	DRFT	DATE



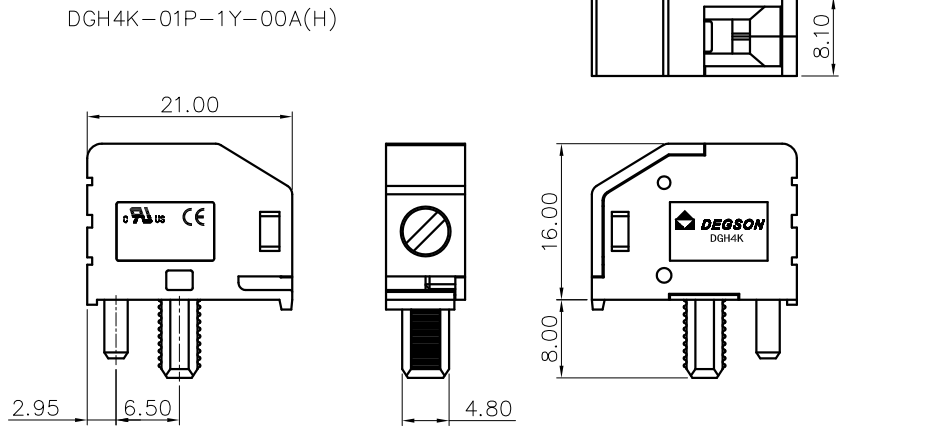
NOTES1:
 UL Standard
 1.Rated voltage/current : 300V / 30A
 2.Torque value : M3 , 4.43Lb.in
 3.Wire range : 30~10AWG
 IEC Standard
 1.Rated voltage/current : 400V / 41A
 2.Torque value : M3 , 0.5N·m
 3.Wire range : 0.2~6mm²

NOTES2:
 1.Dimension shall be interpreted per ASME Y14.5-2009
 2.Pitch : 8.1mm, Poles : N=01P
 3.Stripping length : 9mm
 4.Withstanding voltage : AC2500V/1Min
 5.Operating temperature: -40°C~+105°C
 6.Undimensioned tolerances:

Pitch range in mm		Nominal dimension range in mm							
Over 6	Over 10	Over 30	Over 60	Over 100	Over 150	0.1/10			
TO 10	TO 24	TO 30	TO 60	TO 100	TO 150	∠			
±0.15	±0.20	±0.30	±0.30	±0.50	±0.70	±1.00	±1.30	±2*	

7.RoHS Compliance

DGH4 - 01P - 1Y - 00A (H)
 (Series No.) (Poles) (Single Pitch) (Color):1.(Grey)
 2.(Blue)
 3.(Black)
 4.(Green)
 5.(Orange)
 6.(Red)
 7.(Transparent)
 8.(Yellow)
 9.(White)
 (RoHS)
 00A-(Standard)



DETACHED LISTS	PART NO.:	NINGBO DEGSON ELECTRICAL CO., LTD			
	APPD:	NAME: DGH4-01P-1Y-00A(H)			
	CHKD:	TITLE: CUSTOMER DRAWING			
	DRFT:	DRAWING NO.:		REV	DO
THIRD ANGLE PROJECTION		MM (INCH)	DO NOT SCALE DRAWING	SHEET 1/1	SCALE 1:1