

VOC-EC

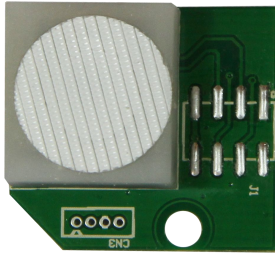
Product specification

Number : VOC-HR

Hardware version : VOC-HRV012

Software version : VOC-HRV004

VOC-HR electrochemical methanal sensor



■ 1.Product description

VOC-HR methanal sensor is electrode electrochemical type , sample gas diffuse into sensor .VOC-HR sensor has good sensitive to methanal ,sensor also have reaction to alcohols,Benzol , naphthaline.Sensor has signal amplifier,single power supply ,convenient to acquire voltage output signal .

■ 2.Specification

1) Basic specification

Working temperature : -10 ~ +40°C

Storage temperature : -20 ~ + 60°C

Working humidity : 0 ~ 95%RH (non condensed)

Power supply : DC 3.3~5.0V

Output : UART_TTL

2) Measurement specification

Measurement gas : methanal

Response time : < 30s

Measurement range : 0-3ppm

Accuracy : ±5%FS

Resolution : 0.01ppm

Lifespan : ≤2years

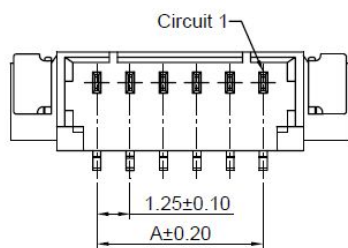
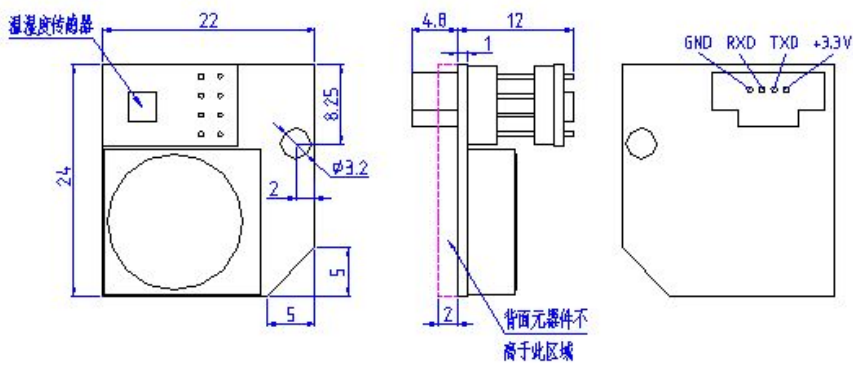
3) Electrical specification

Input voltage : 3.3~5.0VDC

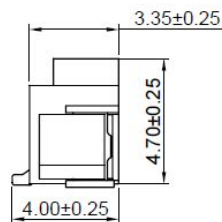
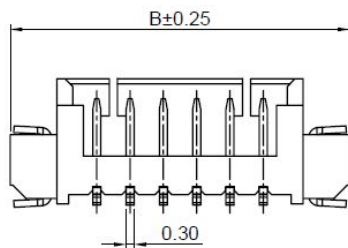
Working current : < 10mA

4) I/O definition

Interface	Name	Function
1	+3.3~5.0V	POWER SUPPLY INPUT
2	TXD	UART-TX (SENDING)
3	RXD	UART-RX (RECEIVING)
4	GND	POWER SUPPLY INPUT (GND)

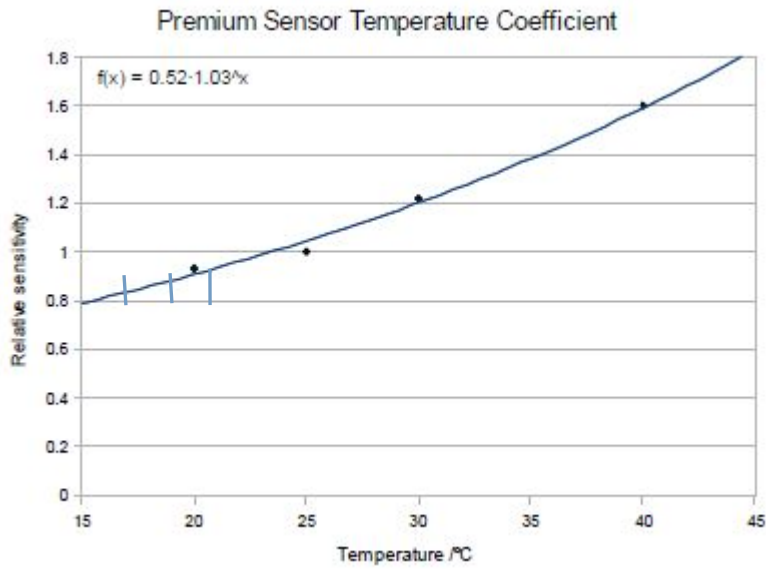


PART NO.	Dimensions	
	A	B
A1251WV-S-4P	3.75	10.25



Note : The connector used in sensor is A1251WV-S-4P , 6Pin in pictures , 4Pin used in real application .

■ **3. Temperature compensation coefficient curve**



■ **4. Gas sensitive**

Gas	Across interface
Reference gas :methanal	100
NH3	0.0
water vapour	0.0
CO2	0.0
Acetone	0.0
Methyl ethyl ketone;	0.0
Benzol	0.0
Toluene	0.0
Methane	0.0
Acetic ether	0.0
Hydrogen	0.1
chlorine	-3
Carbon monoxide	1
Phenol	8

SO2	12
Methanol ,Ethanol	50

■ **5.Note**

- 1.Do not use this module applied in relating to the personal safety system
- 2.Do not use the module in high concentration organic gas for a long time
- 3.Sensor should be put into a place with good ventilation

■ **6.Contact**

Phone : 400-860-1718 / 86-27-81628831

Add : Fenghuang Yuan No.3 Road, Fenghuang Industrial Park, Eastlake Hi-tech Development Zone, Wuhan
430205, China

Post code : 430205

Fax : 86-27-87401159

Http://www.gassensor.com.cn

E-mail:info@gassensor.com.cn