



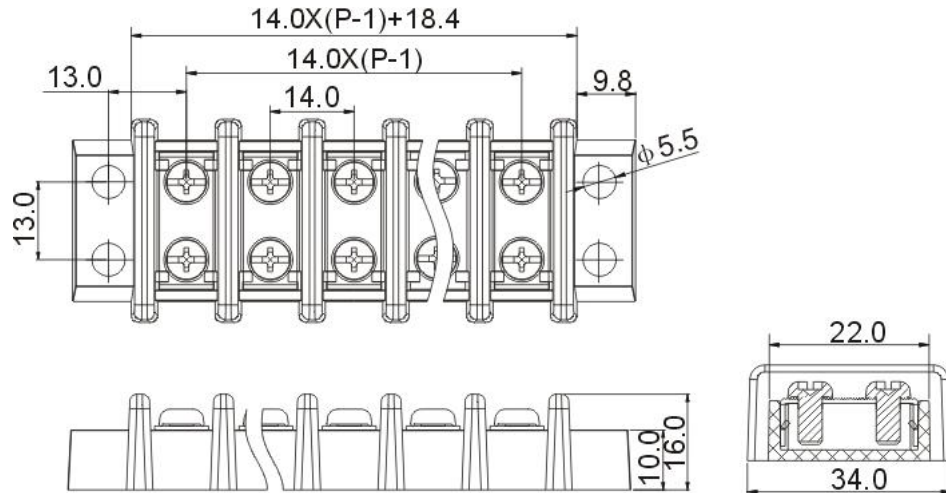
DEGSON ELECTRONICS CO., LTD.

Product Specification

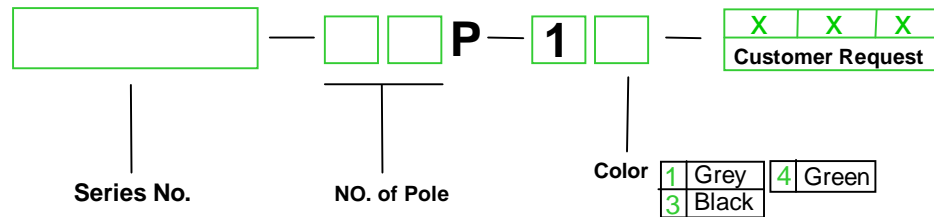


DG89-A

Approval		
Electrical	UL	IEC
Standard	600V	450V
Rated voltage	30A	41A
Rated current	22-10AWG	6.0mm ²
Wire range	AC3000V/1Min	
With standing voltage	1000M Ω /DC500V	
Insulation Resistance		
Mechanical		
Max. Torque Value	1.2N.m 10.6Lb.in	
Ambient temperature	-40°C~+80°C	
Dimensions		
Pitch	14.0mm(.551")	
Poles	2P-18P	
Material		
Housing	PC,UL94V-2	
Terminal	Brass,0.8t Tin plated	
Screws	Steel,M4 Ni plated	



HOW TO ORDER :



	DEGSON ELECTRONICS CO., LTD.
	NAME DG89-A