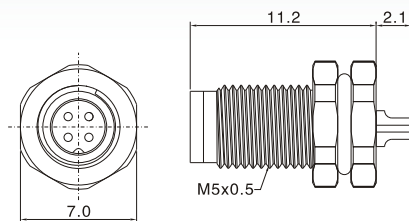


## M5 Male Panel Mount, Solder, Front fastened

- Connector series: M5
- Gender: Male
- Coding: A
- Locking type: Fix screw
- Mounting type: Front fastened
- Part No.: MB05MSAFF\*\*ST

\*\* refers to pins number



### General information

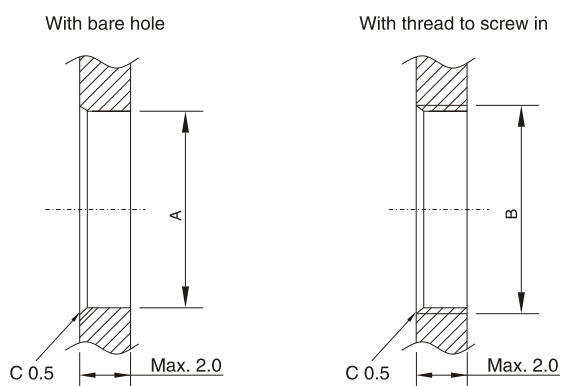
Standard:	IEC 61076-2-105
Ambient temperature:	-25°C ~ +90 °C
Connector insert:	TPU
Connector contacts:	Brass with gold plated
Connector nut/screw:	Brass with nickel plated
Seal / O-ring:	Epoxy resin / FKM

Insulation resistance:	≥ 100MΩ
Contact resistance:	≤ 5mΩ
Shielding:	Unavailable
IP rating:	IP 67 in locked condition

### Electrical data & Mechanical data

Contacts	Contacts termination	Rated current	Voltage		Wire gauge / size		Wire	Wire ending & length
			A/C	D/C	AWG	mm <sup>2</sup>		
03 pins		Solder version	1A	60V	60V	26AWG	0.14	PVC wire or customized Customized wire ending and length
04 pins		Solder version	1A	60V	60V	26AWG	0.14	

### Panel Cut-out Dimensions



	A	B
M5	5.0 <sup>+0.1</sup> <sub>-0</sub>	M5x0.5

### Remarks

- Please refer to Page 10 for the Conversion between American Wire Gauge AWG and Wire Cross-section mm<sup>2</sup>.
- Please refer to Page 14 for products' part number encoding rule.