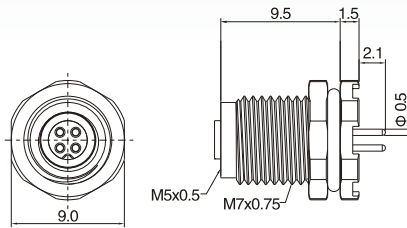


M5 Female Panel Mount, PCB Type, Front fastened

- Connector series: M5
- Gender: Female
- Coding: A
- Locking type: Fix screw
- Mounting type: Front fastened
- Part No.: MB05FBAFF**ST

** refers to pins number



General information

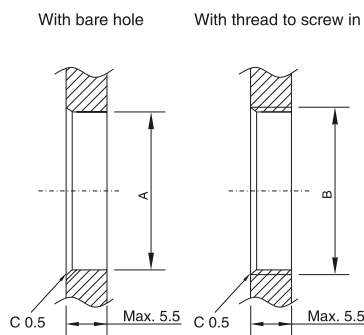
Standard:	IEC 61076-2-105
Ambient temperature:	-25°C ~ +90 °C
Connector insert:	PA + GF
Connector contacts:	Brass with gold plated
Connector nut/screw:	Brass with nickel plated
Seal / O-ring:	Epoxy resin / FKM

Insulation resistance:	≥ 100MΩ
Contact resistance:	≤ 5mΩ
Shielding:	Unavailable
IP rating:	IP 67 in locked condition

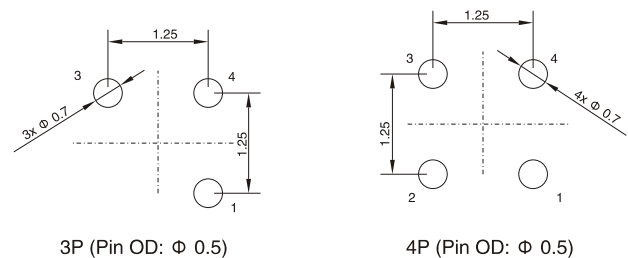
Electrical data & Mechanical data

Contacts		Contacts termination	Rated current	Voltage	
				A/C	D/C
03 pins		PCB version	1A	60V	60V
04 pins		PCB version	1A	60V	60V

Panel Cut-out Dimensions



PCB Layout



Remarks

- Please refer to Page 14 for products' part number encoding rule.