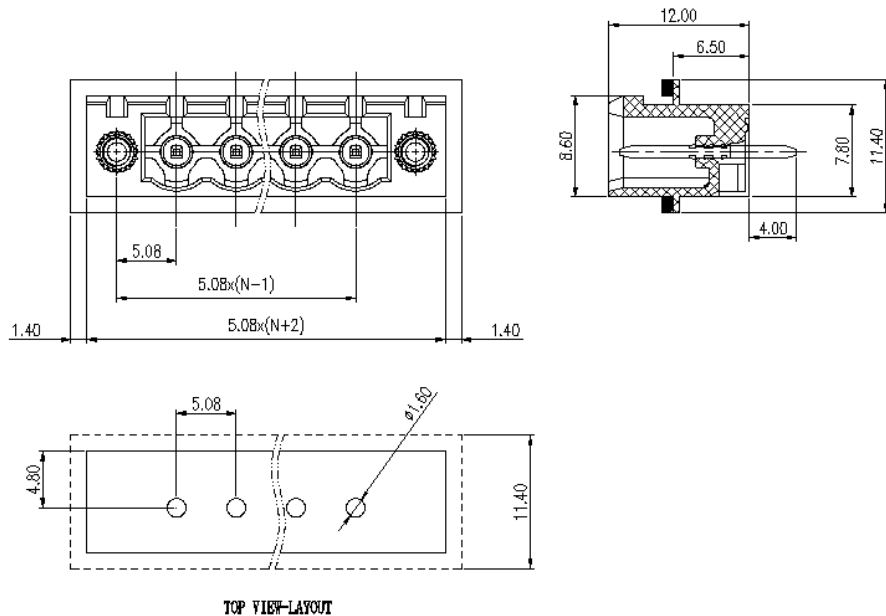
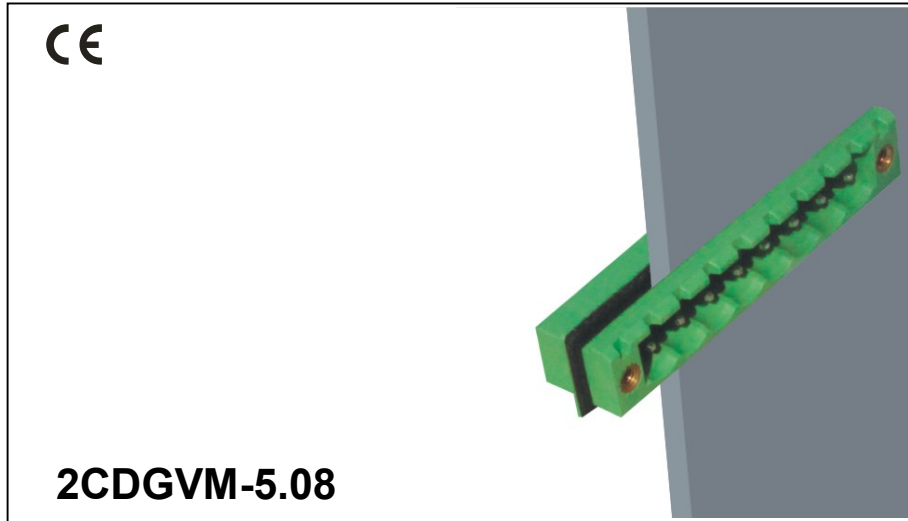




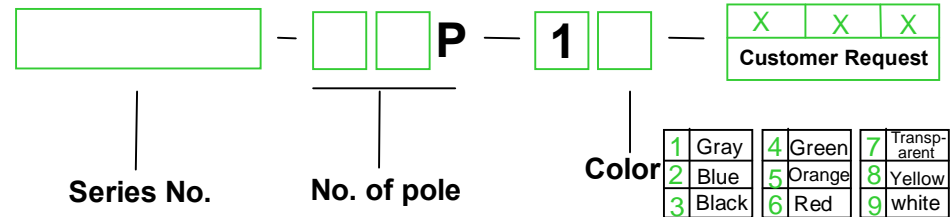
DEGSON ELECTRONICS CO., LTD.

Product Specification



Approval		
Electrical		
Standard	UL	IEC
Rated voltage	300V	320V
Rated current	15A	20A
Rated impulse voltage	4KV	
Mechanical		
Ambient temperature	-40℃~+105℃	
Dimensions		
Pitch	5.08mm(.200")	
Poles	2P-22P	
Material		
Housing	PA66,UL94V-0	
Pin header	Brass, Ni plated	
Nut	M2.5,Brass	

HOW TO ORDER :



mm (INCH)	DEGSON ELECTRONICS CO., LTD.
THROANGLE PROJECTION	NAME 2CDGVM-5.08