

## PCB Connector Series

KLS1-XL5-2.50mm Pitch=2.50mm TYPE

### Electrical Specification:

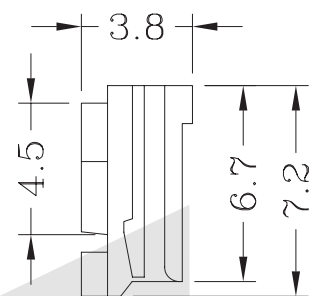
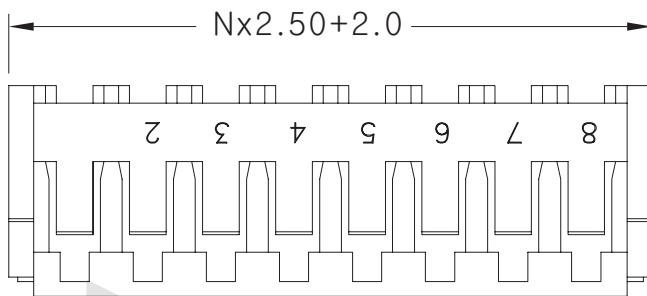
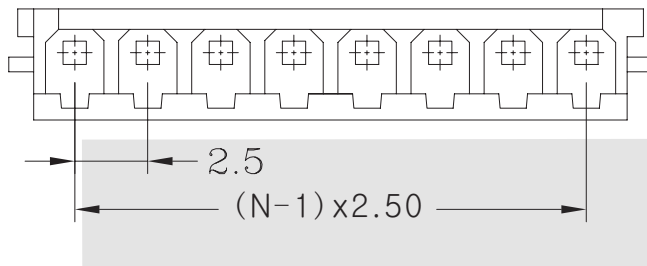
Rated Voltage: 250V AV.DC  
Rated Current: 3A  
Contact Resistance: 0.02Ω max  
Insulation Resistance: 1000MΩ min  
Withstand voltage: 800V AC/min  
Temperature range for usage : -40°C~+105°C  
P.C board thickness : 0.8~1.6mm

### Material:

Housing: PA66 (PA66) UL94V-0  
Contacts: Phosphor Bronze  
Plating: Tin 50u" over 100u" nickel  
Wire range : AWG#30~#22



### Housing



## ORDER INFORMATION

Product NO.: KLS1-XL5-2.50-XX-H

Series No. \_\_\_\_\_

Pitch 2.50=2.50mm \_\_\_\_\_

Type: H=Housing  
S=Straight Male pin

PIN Number: 2 ~ 20Pin

T=Terminal  
R=Right Male pin

**PCB Connector Series**

KLS1-XL5-2.50mm Pitch=2.50mm TYPE

**Electrical Specification:**

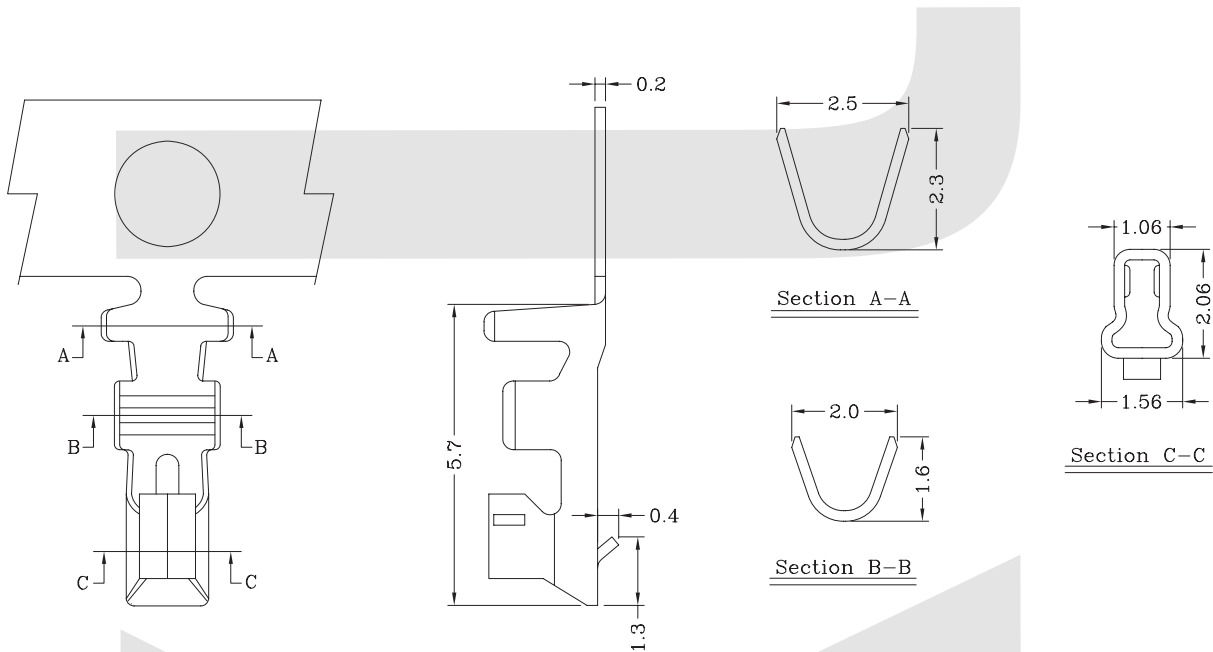
- Rated Voltage: 250V AV.DC
- Rated Current: 3A
- Contact Resistance: 0.02Ω max
- Insulation Resistance: 1000MΩ min
- Withstand voltage: 800V AC/min
- Temperature range for usage : -40°C~+105°C
- P.C board thickness : 0.8~1.6mm

**Material:**

- Housing: PA66 (PA66) UL94V-0
- Contacts: Phosphor Bronze
- Plating: Tin 50u" over 100u" nickel
- Wire range : AWG#30~#22



**Terminal**



**ORDER INFORMATION**

Product NO.: KLS1-XL5-2.50-T

Series No. \_\_\_\_\_  
Pitch 2.50=2.50mm \_\_\_\_\_

Type: H=Housing  
S=Straight Male pin  
T=Terminal  
R=Right Male pin

## PCB Connector Series

KLS1-XL5-2.50mm Pitch=2.50mm TYPE

### Electrical Specification:

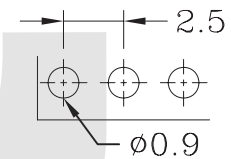
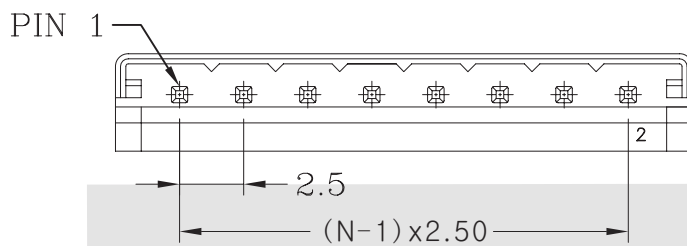
Rated Voltage: 250V AV.DC  
 Rated Current: 3A  
 Contact Resistance: 0.02Ω max  
 Insulation Resistance: 1000MΩ min  
 Withstand voltage: 800V AC/min  
 Temperature range for usage : -40°C~+105°C  
 P.C board thickness : 0.8~1.6mm

### Material:

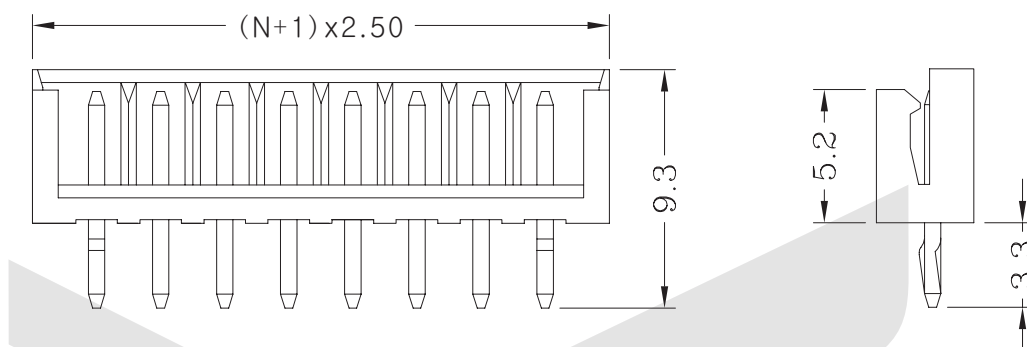
Housing: PA66 (PA66) UL94V-0  
 Contacts: Brass  
 Plating: Tin 50u" over 100u" nickel



### Straight Male pin



P.C.B LAYOUT



## ORDER INFORMATION

Product NO.: KLS1-XL5-2.50-XX-S

Series No. \_\_\_\_\_  
 Pitch 2.50=2.50mm \_\_\_\_\_

Type: H=Housing  
 S=Straight Male pin  
 PIN Number: 2 ~ 20Pin

T=Terminal  
 R=Right Male pin

**PCB Connector Series**

KLS1-XL5-2.50mm Pitch=2.50mm TYPE

**Electrical Specification:**

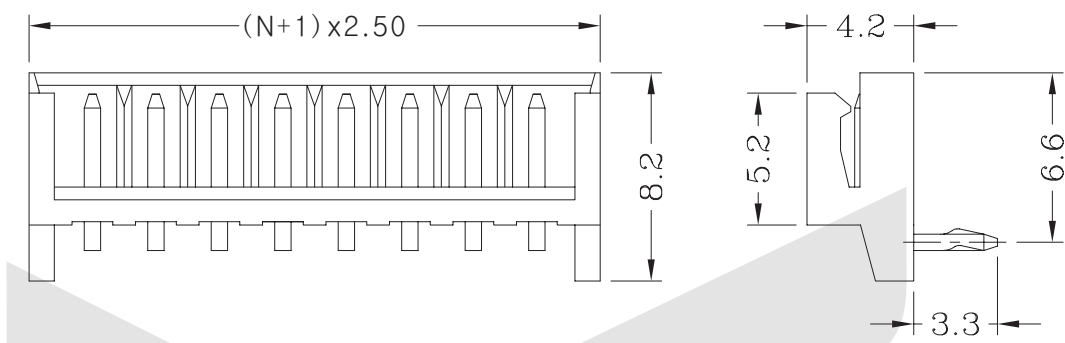
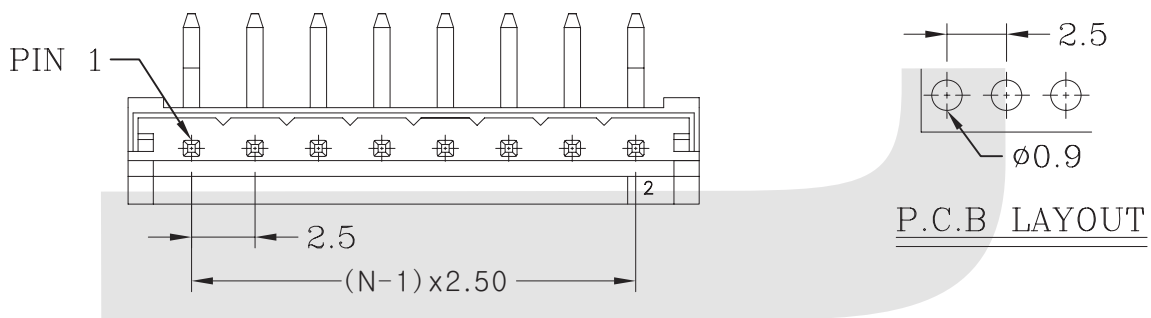
- Rated Voltage: 250V AV.DC
- Rated Current: 3A
- Contact Resistance: 0.02Ω max
- Insulation Resistance: 1000MΩ min
- Withstand voltage: 800V AC/min
- Temperature range for usage : -40°C~+105°C
- P.C board thickness : 0.8~1.6mm

**Material:**

- Housing: PA66 (PA66) UL94V-0
- Contacts: Phosphor Bronze
- Plating: Tin 50u" over 100u" nickel
- Wire range : AWG#30~#22



**Right Male pin**



**ORDER INFORMATION**

Product NO.: KLS1-XL5-2.50-XX-R

Series No. \_\_\_\_\_ Type: H=Housing S=Straight Male pin T=Terminal R=Right Male pin  
Pitch 2.50=2.50mm \_\_\_\_\_ PIN Number: 2 ~ 20Pin