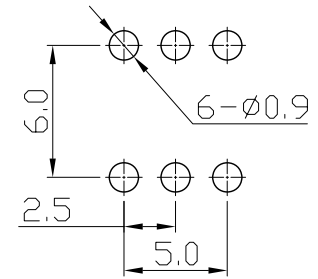
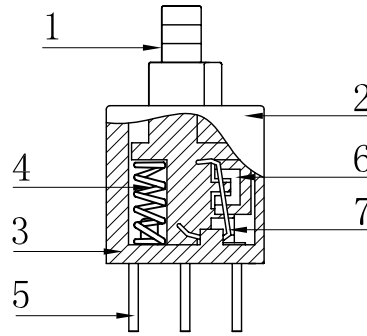
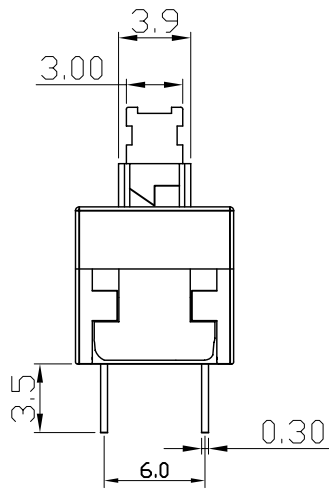
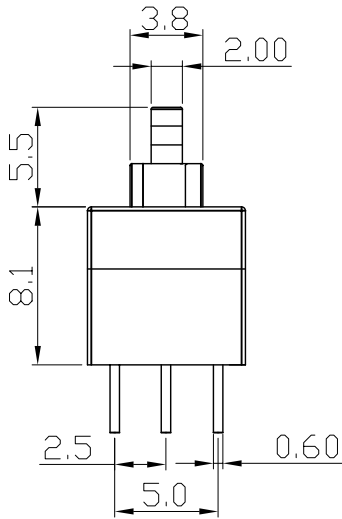
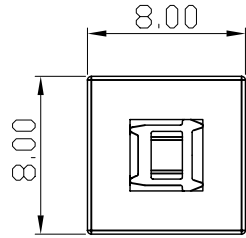
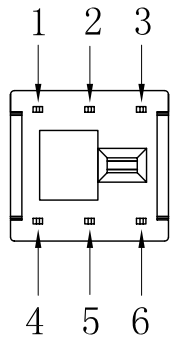


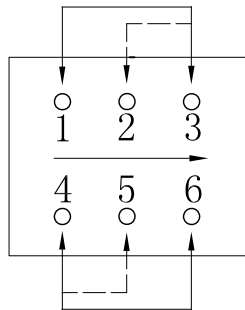
ABIDE BY WEEE & ROHS



PCB Layout Recommended

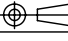


Bottom View



Circuit Diagram

7	Hookpin	—	1PCS	Steel	—	—
6	Contact	—	2PCS	Copper-Silver Composite	—	—
5	Terminal	—	6PCS	Brass/PA66	Plating Silver	—
4	Spring	—	1PCS	Steel	—	—
3	Base	—	1PCS	PBT	Black	UL 94V-0
2	Cover	—	1PCS	POM	White	UL 94HB
1	Keystoke	—	1PCS	POM	Blue	UL 94HB
ITEM	PART NAME	TER'NO.	QTY.	MATERIAL	FINISHING	REMARK

APPROVALS		DATE	 东莞市凯华电子有限公司 KAIHUA ELECTRONICS CO.,LTD											
DRAWN	wujianping	2005. 10. 7												
CHECKED	Song Yu	2005. 10. 7	TITLE: 8.0自锁按键开关(蓝导芯,白盖,黑底座)											
APPROVALS	Song Yu	2005. 10. 7	PART NO. PG808110D01											
TOLERANCES ARE		<table border="1"> <tr> <td>30<L</td> <td>±0.30</td> </tr> <tr> <td>10<L≤30</td> <td>±0.20</td> </tr> <tr> <td>5<L≤10</td> <td>±0.15</td> </tr> <tr> <td>L≤5</td> <td>±0.10</td> </tr> </table>	30<L	±0.30	10<L≤30	±0.20	5<L≤10	±0.15	L≤5	±0.10	ANGLE	UNIT: mm	SCALE: 2:1	PROJ: 
30<L	±0.30													
10<L≤30	±0.20													
5<L≤10	±0.15													
L≤5	±0.10													
ECN NO.	REV.	DATE.	DESCRIPTION.	CHANGE.	CHECK.	APPRO.	DRAWING NO. 050924-01	SHEET 1 OF 1						

A

A

4

3

2

1