

PRELIMINARY SPECIFICATIONS SHEET

NOTEBOOK SPEAKER
P/N: NSI40-P10018

DESCRIPTION: L40mm, W28.3mm, H11.5mm Notebook Speaker, 450Hz, 80hm, 2W, RoHS Compliance (Directive 2002/95/EC)

VERSION: 01

DATE: 22-Feb-10

REVISIONS

VERSION	DESCRIPTION	DATE
01	Released from engineering	22-Feb-10

APPROVED BY :

CUSTOMER NAME :

DATE :

PRELIMINARY SPECIFICATIONS SHEET

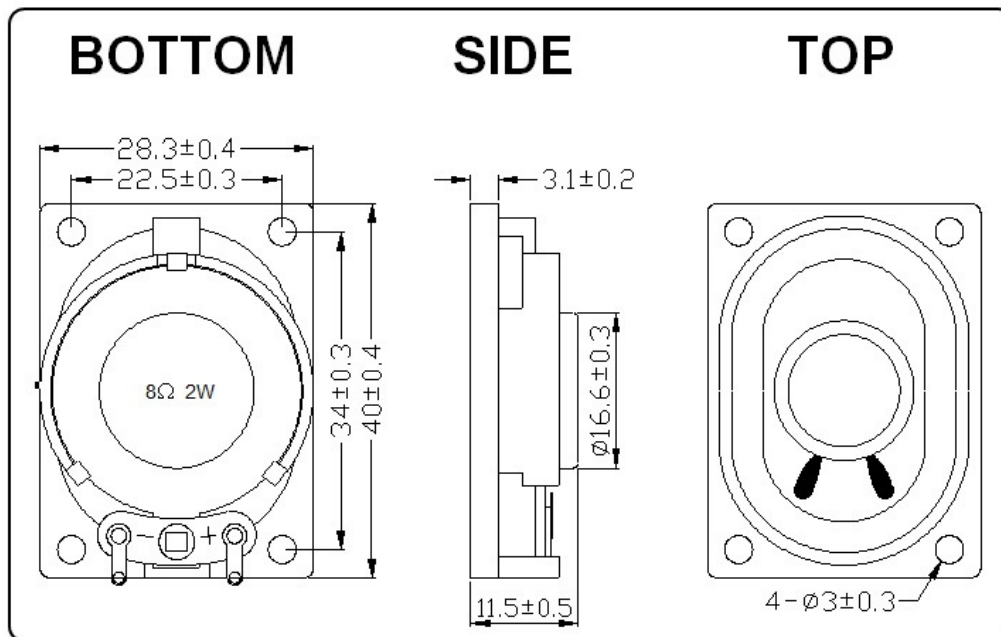
NOTEBOOK SPEAKER
P/N: NSI40-P10018

1. SPECIFICATIONS

PARAMETERS	VALUES	UNITS
*SOUND PRESSURE LEVEL	81 ± 3	dBA
RESONANCE FREQUENCY (Fo)	450 ± 20%	Hz
FREQUENCY RANGE	Fo – 12,000	Hz
RATED IMPEDANCE (At 1KHZ, 1V)	8 ± 15%	Ohm
RATED POWER	2.0	W
MAX POWER	3.0	W
MAGNET	Ø10.5 X 1.5 NdFeB	-
OPERATING TEMPERATURE	-20 to +60	°C
STORAGE TEMPERATURE	-30 to +60	°C
HOUSING	PLASTIC	-
DIAPHRAGM MATERIAL	CLOTH	-
WEIGHT	12.4	g

*Tested at 1m 1W 600, 800, 1k,1.2kHz Average

2. DIMENSIONS (unit in mm)



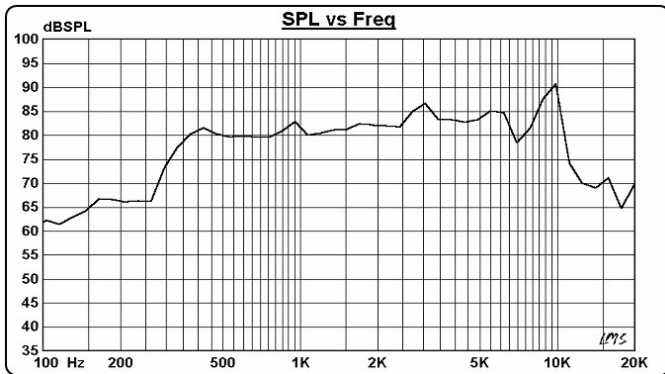
Tolerance: ±0.5mm except specified

VERSION: 01

DATE: 22-Feb-10

All specifications subject to change without notice

3. FREQUENCY RESPONSE CURVE



4. RELIABILITY TEST

Testing Criteria

All specifications (in page 2) must be satisfied after below tests.

(Recovery: 2 to 4 hrs of recovery under the standard condition after the removal from test chamber.)

1) Load Test

Input power: 2W, white noise 96 hours

2) Temperature Test

a) Exposure at +60°C for 96 hours then leave 3 hours in normal temperature and test the Specifications.

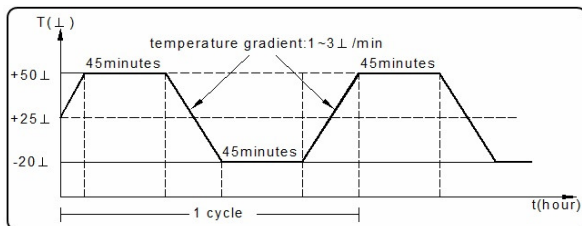
b) Exposure at -20°C for 96 hours then leave 3 hours in normal temperature and test the Specifications.

3) Humidity Test

Exposure at +40°C and 90%-95% relative humidity for 96 hours and leave 3 hours in normal temperature.

Then test the Specifications.

4) Temperature Cycle Test



Exposure to above temperature cycle for 5 times and room temperature for 2 hours.

5) Drop Test

Drop the speakers from a height of 1.0m for 2 times.

6) Vibration Test

Frequency: 10~55~10Hz Oct/min, Amplitude: 1.5mm Duration: 2 hours in each 3 axes

VERSION: 01

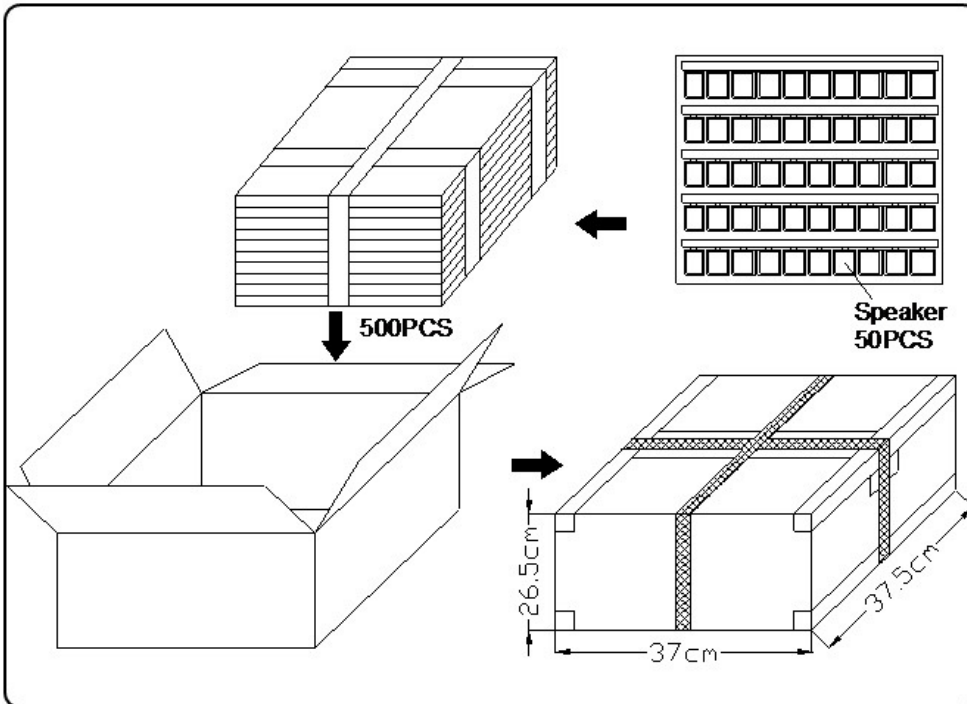
DATE: 22-Feb-10

All specifications subject to change without notice

CopyRight © 2010 Sound Components Limited

Page 3 of 4

5. PACKING INFORMATION



Note:

Qty: 500 pcs / carton

G.W: 8.0KG

N.W: 6.3KG

VERSION: 01

DATE: 22-Feb-10

All specifications subject to change without notice

CopyRight © 2010 Sound Components Limited

Page 4 of 4

SOUND COMPONENTS LIMITED 聲港科技有限公司

Unit 2307 • 23/F • Billion Trade Centre • 31 Hung To Road • Kwun Tong • Hong Kong

香港九龍觀塘鴻圖道31號鴻貿中心23樓07室

Tel: +852 2304 4000

Fax: +852 2304 7000

email: sales@hk-sound.com website: www.hk-sound.com