
SPECIFICATIONS SHEET FOR APPROVAL

PIEZO ELEMENT
P/N: PE150100CS

DESCRIPTION: D15mm, H0.36mm Piezo Element, 10000Hz, 9000pF

VERSION: 01

DATE: 29-Dec-15

REVISIONS

VERSION	DESCRIPTION	DATE
01	Released from engineering	29-Dec-15

APPROVED BY :

CUSTOMER NAME :

DATE :

SPECIFICATIONS SHEET

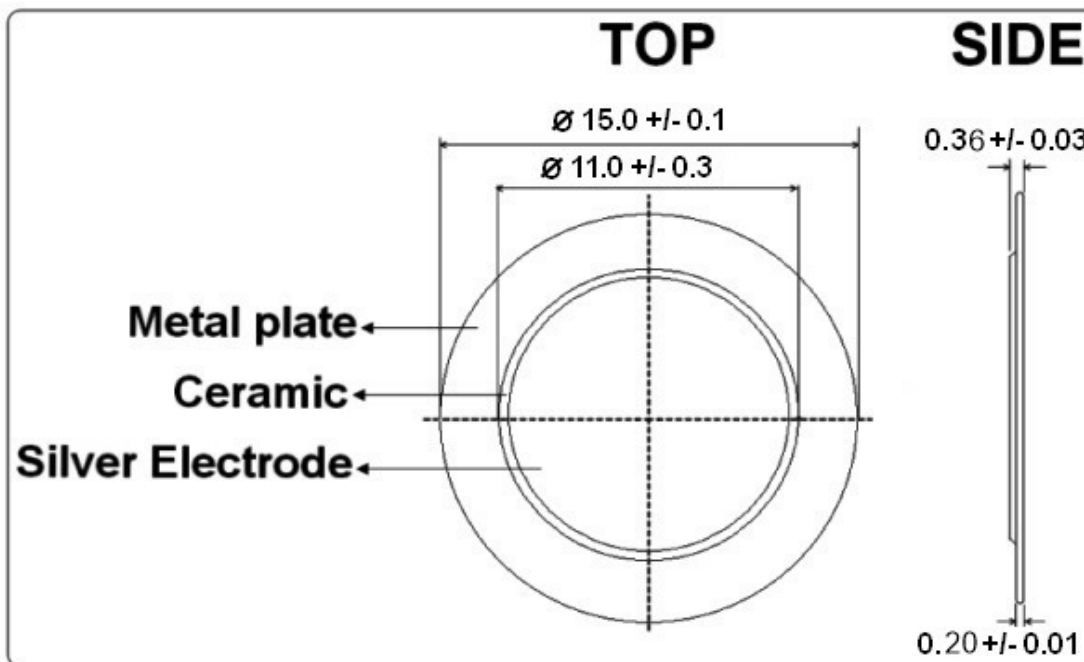
PIEZO ELEMENT
 P/N: PE150100CS

1. SPECIFICATIONS

PARAMETERS	VALUES	UNITS
METAL PLATE DIAMETER	$\varnothing 15.0 \pm 0.10$	mm
CERAMIC DIAMETER	$\varnothing 11.0 \pm 0.30$	mm
METAL PLATE THICKNESS	0.20 ± 0.01	mm
TOTAL HEIGHT	0.36 ± 0.03	mm
MAX OPERATING VOLTAGE	30	Vp-p
RESONANCE FREQUENCY	$10,000 \pm 1,000$	Hz
RESONANCE IMPEDANCE (MAX)	600	Ohm
*MAIN ELECTROSTATIC CAPACITY	$9,000 \pm 30\%$	pF
OPERATING TEMPERATURE	-20 to +60	°C
STORAGE TEMPERATURE	-20 to +70	°C
METAL PLATE MATERIAL	Brass	-

*Tested at 100Hz/1V

2. DIMENSIONS (unit in mm)



Tolerance: ± 0.5 mm except specified

VERSION: 01

DATE: 29-Dec-15

All specifications subject to change without notice