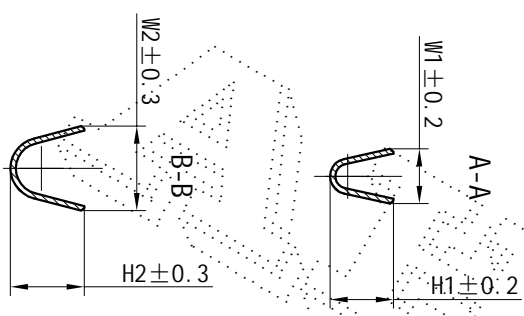
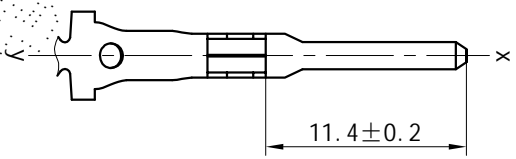
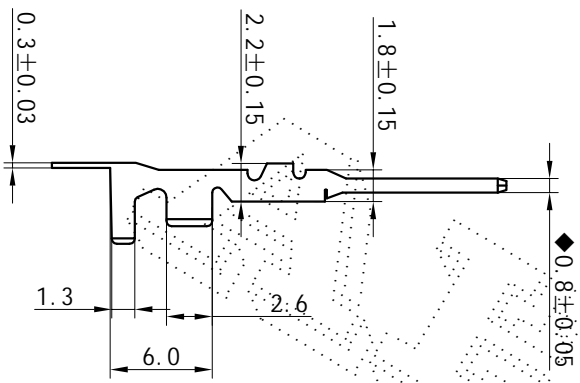
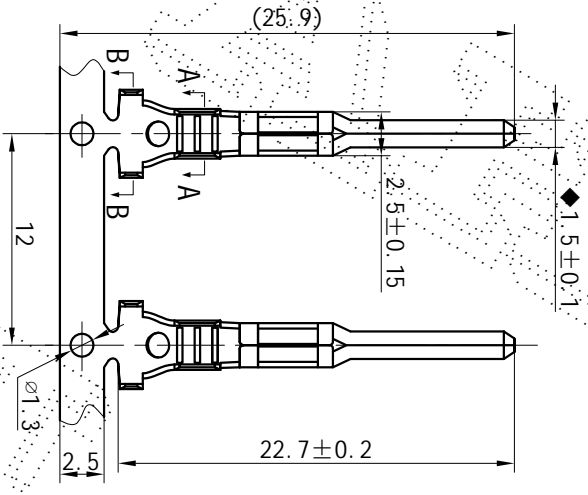


MARK	ECN	DESCRIPTION	DMN.	DATE



The technical requirements:

1. pieces of the surface are not allowed to have obvious scratches, cracks, deformation
2. Stamping defects, chamfer is clear, stamping Feng is less than 0.02mm
3. not note: round R R0.2 to R0.5mm
4. product beading and stiffness depth 0.08-0.1mm
5. "◆" is the important characteristic, "★" As the key characteristics, "5" did not note the size tolerance in table GB/T15055-2007-m.

NO. TOLERANCES GB/T15055-2007-m	
DIM. RANGE	DIM. TOLERANCES
0.5~3	±0.20
>3~6	±0.30
>6~30	±0.40
>30~120	±0.50

NO.	PART NO.	NAME	W1	W2	H1	H2
②	DJ611-1.5X0.8B	TERMINAL	3.4	5.2	3.0	4.7
①	DJ611-1.5X0.8A	TERMINAL	3.0	5.2	2.5	4.7

COLOUR	TIN PLATING	MATERIAL	BRASS
NAME	TERMINAL	PART NO.	SEE TABLE
TYPE	ARTICLE NO.	MOULD NO.	

AH1 乐清市奥海电气有限公司
 Weiqing Aohai Electric Co., Ltd.

DRAWN BY: CONFIRMED BY APPROVED BY

REV.	1st PERSON VIEW	FREE	UNIT	PAGE
1.0		3:1	mm	1/1