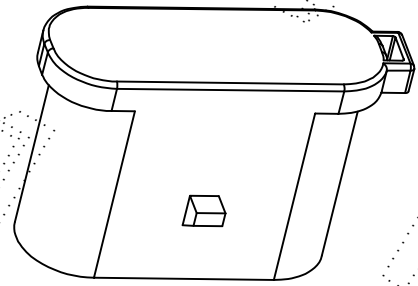
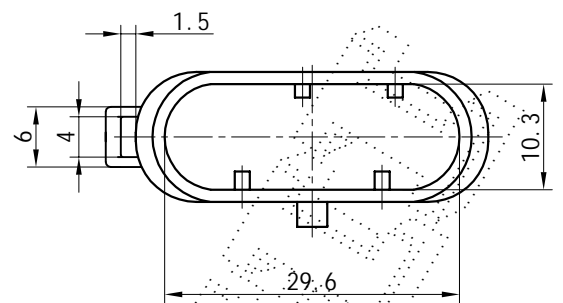
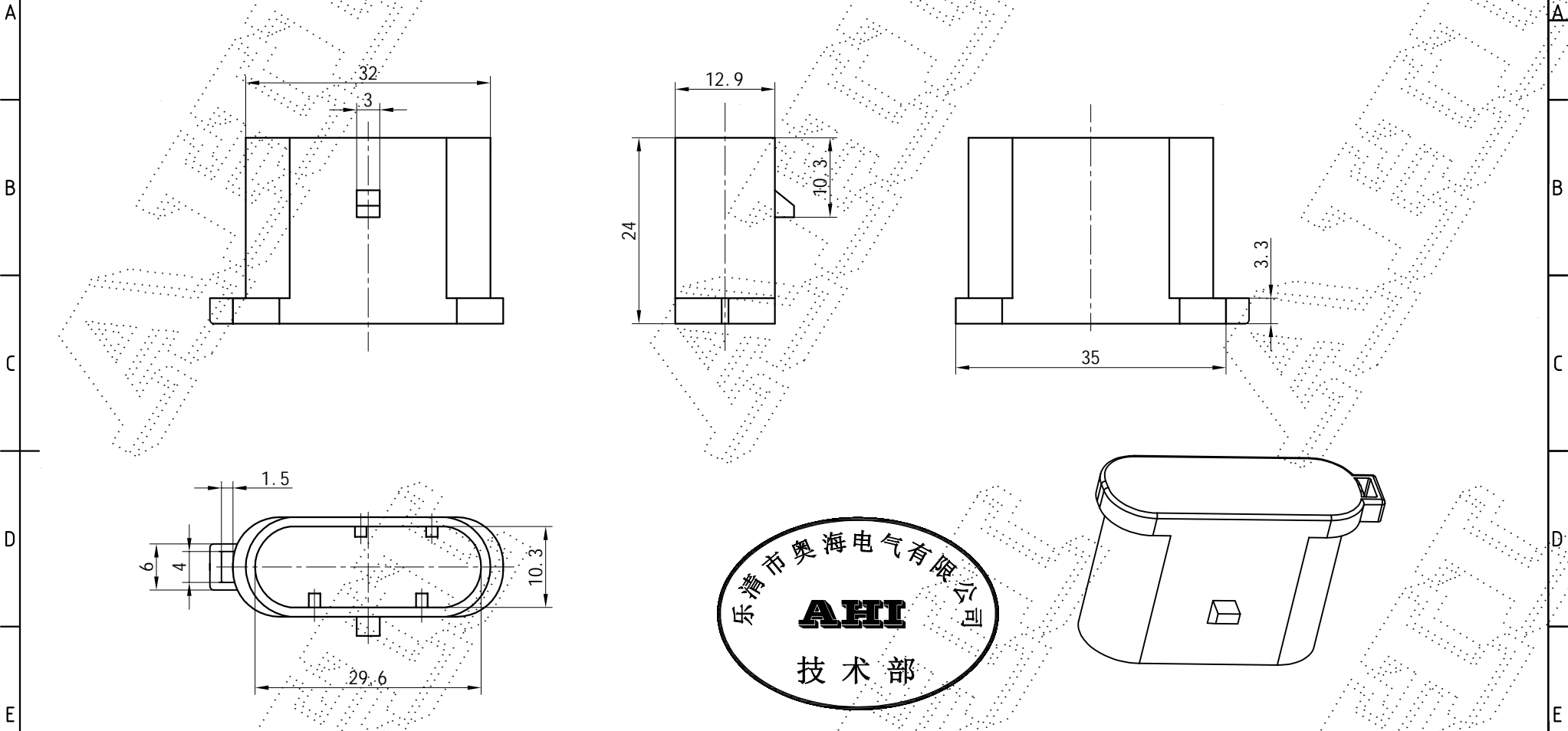


MARK	ECN	DESCRIPTION	DWN.	DATE



Technical requirements

- Parts must not have burr and injection molding defects which affect usability
- The surface is bright and clean, smooth, no obvious volume marks, etc
- The "◆" is the important feature; "★" is the key features
- Unmarked tolerance dimensions carry out according to the GB - T14486-2008 - MT6 level

NO. TOLERANCES GB/T14486-2008-MT6			
DIM. RANGE	DIM. TOLERANCES	DIM. RANGE	DIM. TOLERANCES
0~3	±0.23	>18~24	±0.41
>3~6	±0.26	>24~30	±0.45
>6~10	±0.29	>30~40	±0.50
>10~14	±0.33	>40~50	±0.57
>14~18	±0.37	>50~65	±0.65

COLOUR	BLACK	乐清市奥海电气有限公司			
MATERIAL	PA66	AHI Yueqing Aohai Electric Co., Ltd.			
NAME	COVER	DRAWN BY	CONFIRMED BY	APPROVED BY	
PART NO.	DJ7041A-1.5-20				
TYPE					
ARTICLE NO.		REV.	1st PERSON VIEW	FREE	UNIT
MOULD NO.:		1.0		1.5:1	mm
					PAGE
					1/1