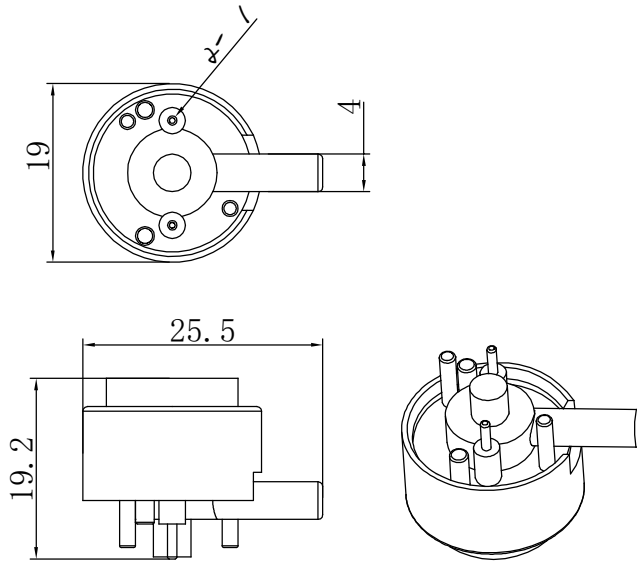


LFS-01

Miniature pressure & vacuum switch



Dimension in:mm



LFS-01 Order Ref NO

LFS-01 0 0 0 W10 R135 - V90
A B C D E F

A Connection Type:D=Pressure & Vacuum Connection ; 0=Vacuum Connection

B Contact Carrying parts:0=Brass Silver Plated ; G=Brass Golden Plated

C Connection Size:0=4mm OD tube

D Wire Lead:0=Without,Wxx=Length of wire lead in inches,i.e.W10=10inch wire lead;Terminal is available on customer's request

E Inlet Rotation:0=Aligned,Rxx=Angle(xx in Degrees) i.e.R135=135°

F Pressure setting in mbar: i.e. V90=90mbar vacuum, P90=90mbar positive

Specification

Model	LFS-01
Media	Non-hazardous gas only
Electrical Function	1 pole NO
Electrical Rating	20mA,125/250V~
Ambient Temperature	-10℃ to +90℃
Electrical Connection	solder pins 1.0mm,10mm between away from each other or with different leads and terminals
Pressure Range	Pressure:10-800mbar; Vacuum: 10-800mbar
Maximum Pressure	1000mbar
Connection	Inlet 4.0mm for tube connection

LFS-01 vacuum pressure switches can detect both negative and positive pressure, such as the family vacuum cleaner. The switch has many electrical connection types, such as different wire leads, terminals, socket and solder pin connection (special design for the installation of Printed Circuit Boards). It is designed as an economical interface between pressure systems and Printed Circuit Boards with no delay nearby.