

SAVIOR DC BRUSHLESS FAN

SD15038...X

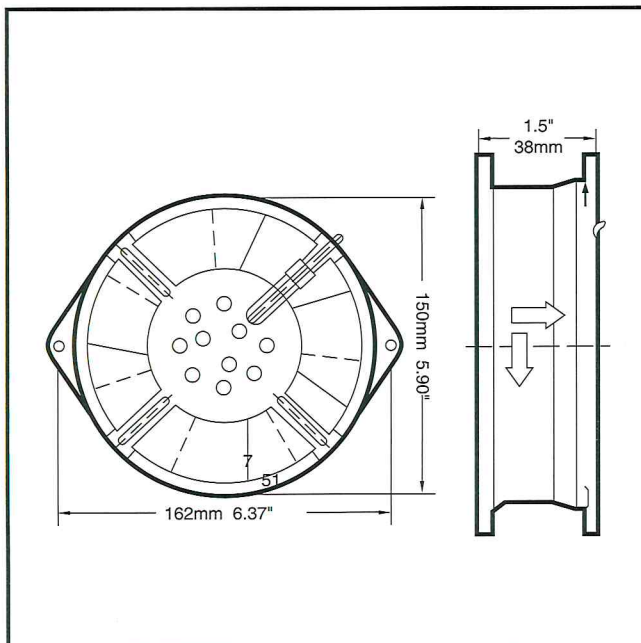
162x150x38mm

DESIGN FEATURES

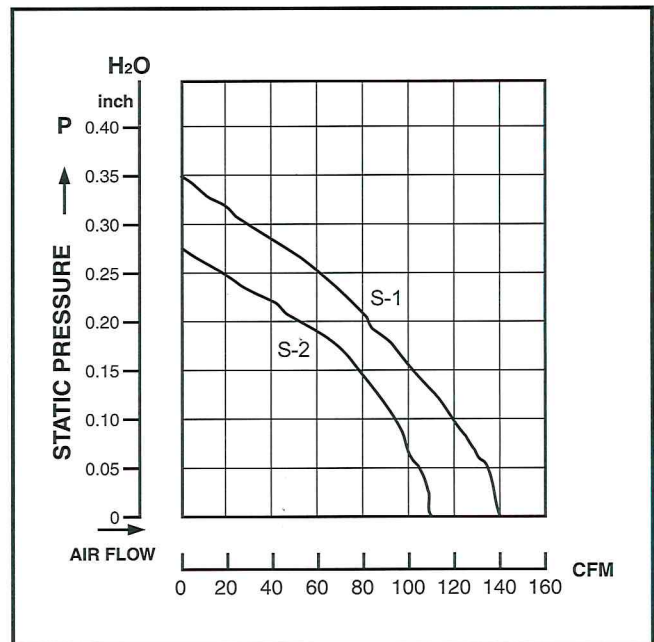
- *BEARING SYSTEM: SLEEVE BEARING & BALL BEARING
- *IMPELLER: PLASTIC WITH FIBER GLASS FILLED UL 94V-0
- *HOUSING: DIE CAST ALUMINUM PAINTED BLACK OR NATURAL COLOR
- *MOTOR: BRUSHLESS DC
- *CONNECTING: WIRE LEADS
- *SPEED: H- HIGH SPEED TYPE
M-MEDIUM SPEED TYPE
- *AVAILABLE FG TYPE FOR SPEED SENSOR SIGNAL
- *AVAILABLE RD TYPE FOR ROTOR LOCKED ALARM SIGNAL



DIMENSIONS:MM



PERFORMANCE



SPECIFICATIONS

Specifications are subject to change without notice

MODEL NO.	VOLTAGE (VDC)	AIR (CFM)	VOLUME (M ³ /MIN)	CURRENT (A)	POWER (W)	SPEED (RPM)	STATIC PRESSURE (INCH-H ₂ O)	NOISE (dBA)
SD15038H	12	140	4.00	0.75	9.0	2200	0.35	42
	24	140	4.00	0.40	9.60	2200	0.35	42
	48	140	4.00	0.23	11.04	2200	0.35	42
SD15038M	12	110	3.12	0.55	6.60	1800	0.28	38
	24	110	3.12	0.35	8.40	1800	0.28	38
	48	110	3.12	0.19	9.12	1800	0.28	38