

RB 承認書

SPECIFICATION FOR APPROVAL

客戶(Customer):

客戶料號(Customer P/N):

供應商料號(Supplier P/N):

機種型號(Model No.): RB-40008F-71R

品名(Description): SPEAKER(RoHS)

規格(Specification): 8ohm,2.0W

客戶承認欄 (Customer Authorization Signature)	供應商 (Supplier Audit)		
	審核	檢查	作成
			许衡军
	日期: 2010 年 7 月 27 日 版次: A0		

東莞市瑞波電子有限公司

DONGGUAN RUIBO ELECTRONIC CO., L.T.D.

中國 廣東省 東莞市 企石鎮 東山管理區 永盛工業園

Dong Shan Guan Li Qu, Qi Shi Town, Dong Guang City, Guang Dong, CHINA.

TEL: (86-769) 86572-629

FAX: (86-769) 86572-621

S P E C I F I C A T I O N

1	Model	RB-40008F-71R
2	Dimension	Outline Dimension Shall Be As Shown In Fig(1).
3	Weight	Approx 9.1 Grams.
4	Magnet	Materials Nd-Fe-B
5	Impedance	$8\pm 15\%$ ohm At 1000Hz/1v.
6	PowerRating	Normal 2.0W. Maximum 2.5W.
7	LowerResonant Frequency	650Hz \pm 150
8	OutputSound Pressure Level (S. P. L)	101 \pm 3dB/1.0 Watt 0.1Meter. Average At1000, 1182, 1504, 2000 Hz. Measurement Method Shown In Fig(2).
9	Frequency Range	F0 \sim 16,000Hz. Average SPL-10dB. Shown In Fig(3).
10	Distortion	5% Maximum At 1000Hz. 1.0W.
11	Abnormal Sound Test	Must Be Normal By 4.0 Volts.Sine Wave.
12	Polarity	Diaphragm Shall More Forward When Apply a Positive DC Current To The "+" or "marked" Terminal.
13	Operating Temperature	-20 $^{\circ}$ C to +50 $^{\circ}$ C
14	Storage Temperature	-25 $^{\circ}$ C to +55 $^{\circ}$ C

Drawing by	Checked by	Approved by	Date	DWG.No
許衡軍			July 27, 2010	Page No.1/4



DONGGUAN RUIBO ELECTRONIC CO., LTD.

东莞市瑞波电子有限公司

Dong Shan Guan Li Qu, Qi Shi Town, Dong Guang City, Guang Dong, CHINA

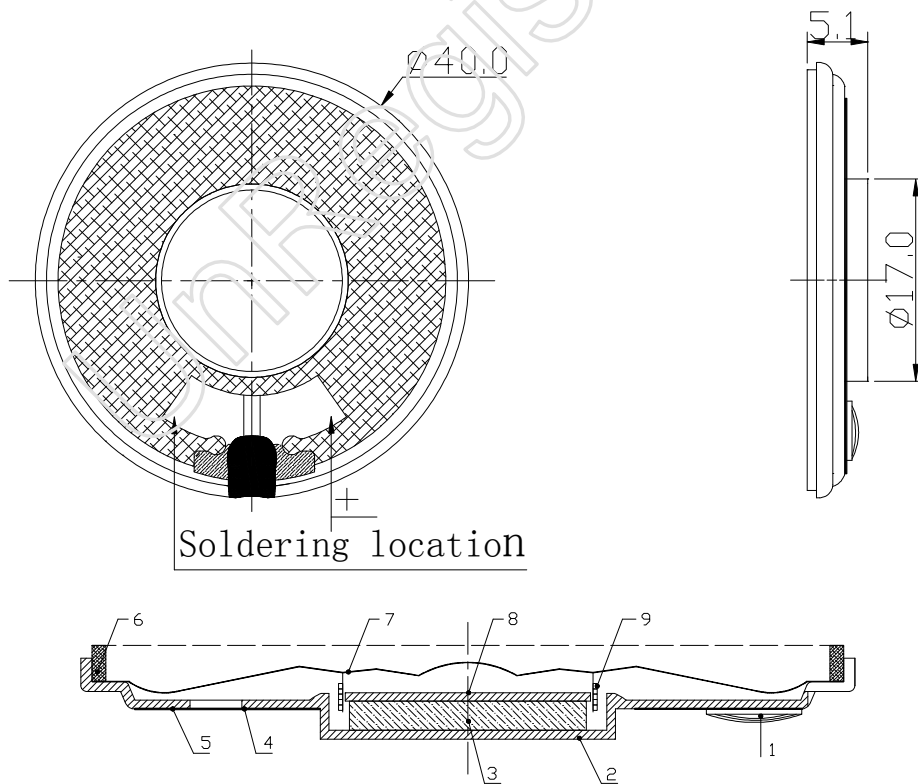
TEL:86-769-86572629 FAX:86-769-86572621

S P E C I F I C A T I O N

Model No: RB-40008F-71R

Fig(1).

NO	PART NAME	MATERIAL	Q`TY
1	TERMINAL	P. C. B	1
2	YOKE	SPCC	1
3	MAGNET	Nd-Fe-B	1
4	FRAME	SPCC	1
5	GASKET	ABS	1
6	DIAPHRAGM	MYLAR	1
7	WASHER	SPCC	1
8	VOICE COIL	DIA 13.28	1



Unit:mm Tolerance: 0.3

Drawing by	Checked by	Approved by	Date	DWG.No
許衡軍			July 27, 2010	
				Page No.2/4

RB DONGGUAN RUIBO ELECTRONIC CO., LTD.

东莞市瑞波电子有限公司

Dong Shan Guan Li Qu, Qi Shi Town, Dong Guang City, Guang Dong, CHINA

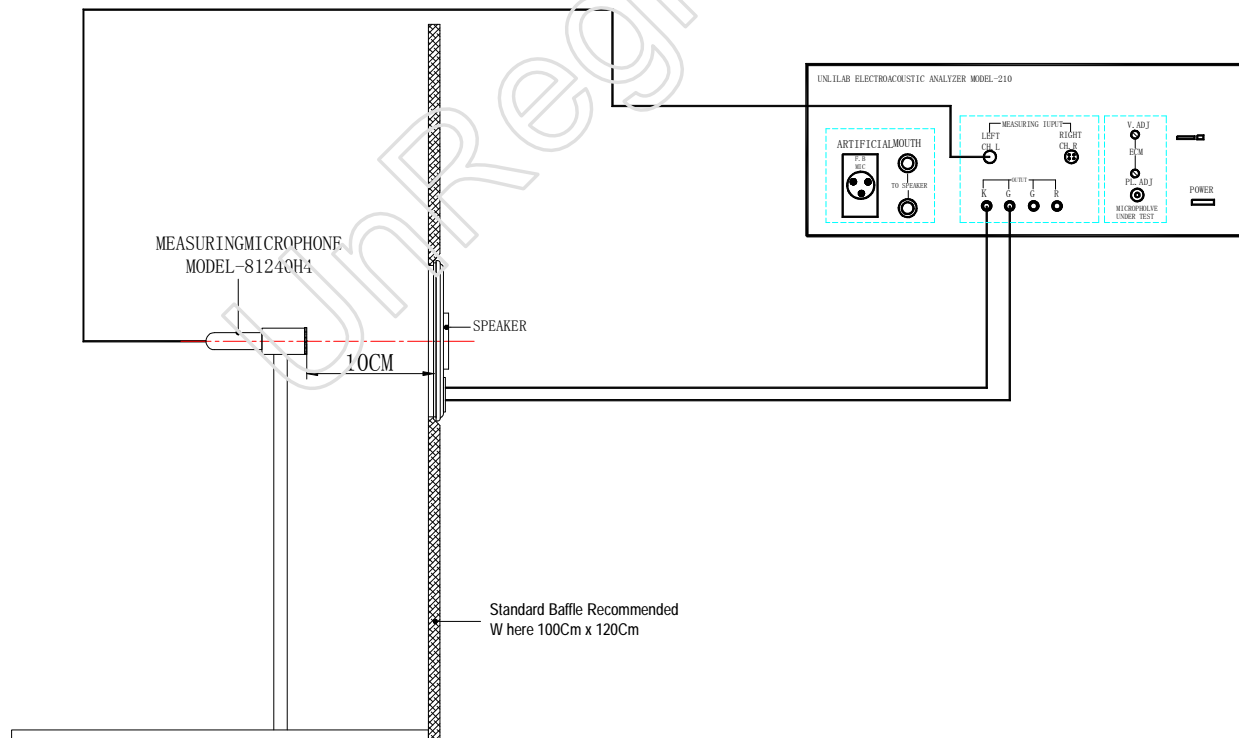
TEL:86-769-86572629 FAX:86-769-86572621

S P E C I F I C A T I O N

Model No: RB-40008F-71R

15	Reliable Test	
15-1	Load Test	Must be normal after load test:white noise 2.0W 96 hours.
15-2	Heat Test	Must be normal after 55 ± 2 ° C and relative humidity 20~25% 96hours And then room temperature 1 hours.
15-3	Cold Test	Must be normal after -25 ± 2 ° C 96hours and then room temperature 1 hours.
15-4	Humidity Test	Must be normal after 40 ± 2 ° C and relative humidity 90~95% 96hours And then room temperature 1 hours.

Frequency Response Fig(2).



Drawing by	Checked by	Approved by	Date	DWG.No
許衡軍			July 27, 2010	Page No.3/4

Firm: RUIBO Object: 40008F 2100S4 F 2.10 07-29-2010 22:12:02

Real 1000Hz Sens.= 102.3dB SPL Pass F.R.: Pass DCR: 0.71 Ω Pass
Avg.=101.7dB SPL Pass (4 point avg.) Step Size: 1/12 Oct.

