



承認書

SPECIFICATION FOR APPROVAL

客戶(Customer): _____
客戶料號(Customer P/N): _____
機種編號(Files No.): FS2011-04-054
機種型號(Model No.): RB-4020008F-04R
品名(Description): SPEAKER(RoHS)
規格(Specification): 8ohm 1.0W

客戶承認欄 (Customer Authorization Signature)	供應商 (Supplier Audit)		
	Approver	Checker	Author
			刘交娣
日期: 2011 年 04 月 16 日			

Revision History

Version	Date	Description	Author
A0	April 16, 2011		刘交娣

东莞市瑞波电子有限公司

DONGGUAN RUIBO ELECTRONIC CO., L.T.D.

中國 廣東省 东莞市 企石镇 东山管理区 永盛工业园

Dong Shan Guan Li Qu, Qi Shi Town, Dong Guan City, Guang Dong, China

TEL: +86(0)769-8657 2629 FAX: +86(0)769-8657 2621

<http://www.ruibocn.com>



DONGGUAN RUIBO ELECTRONIC CO., L.T.D.

东莞市瑞波电子有限公司

Dong Shan Guan Li Qu, Qishi Town, Dong guan City, Guangdong CHINA.

中國 廣東省 东莞市 企石镇 东山镇 永盛工业园

TEL: (86-769) 86572629 FAX: (86-769) 86572621

SPECIFICATION

Above Measuring condition under temperature : 25~35°C R.H. 25 ~75%. According to standard GB/T9396-1996

	Model	RB-4020008F-04R			
1	Type	Dynamic Speaker			
2	Dimension	Outline Dimension Shall Be As Shown In Fig(1).			
3	Weight	Approx 7.5 Grams.			
4	Magnet	Material	Nd-Fe-B	Size	Φ11.0x1.5mm.
5	Impedance	8 ± 15% Ohm at 1000Hz. 1V			
6	Power Rating	Normal	1.0W	Maximum	1.5W
7	FO	600±20% Hz			
8	S.P.L.	97±3dB/1.0Watt 0.1Meter. Average At 1000,1182,1504,2000 Hz.			
		Measurement Method Shown In Fig(2).			
9	Frequency Range	350~2,600Hz.Average SPL-10dB Frequency Response Fig (3).			
10	Distortion	10% Maximum At 1000Hz 1.0W.			
11	Abnormal Sound Test	Must be Normal Tested by 2.83 Volts. Sine wave for 50~5kHz			
12	Polarity	Diaphragm Shall Move Forward When Apply a Positive DC.			
		Red "+" or "Marked" Terminal			
13	Operating Temperature	-25°C to +65°C			
14	Storage Temperature	-25 °C to +65 °C			

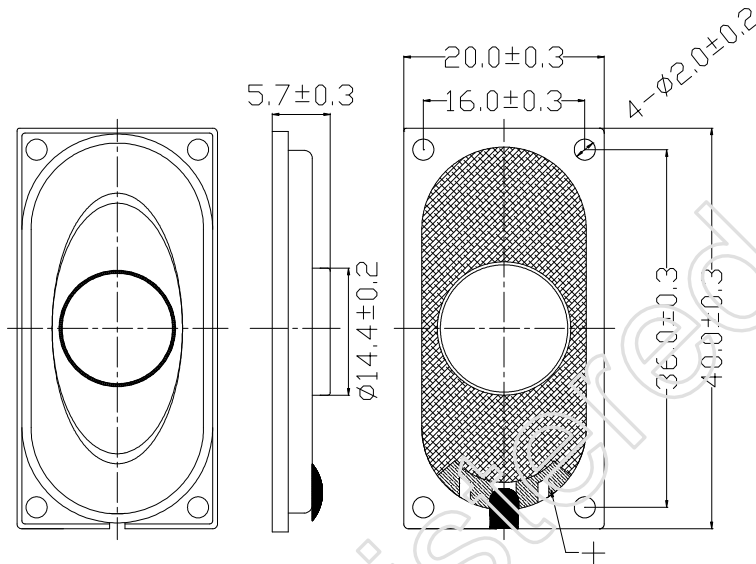
15	Reliable Test	After any following test leave speakers at room temperature for 1 hour, SPL shall not deviate by ±3 db from initial value			
15-1	Load Test	white noise for 96 hours at 1.0W input power.			
15-2	High Temperature Test	+65±2 °C 96hours			
15-3	Low Temperature Test	-25±2 °C 96hours			
15-4	Humidity Test	+40±2 °C relative humidity 90~95%R.H 96hours			
15-5	Vibration Test	Frequency 30± 15 Hz, Amplitude 1.5 mm for 2 Hours per axis(x. y. z axis)			
15-6	Drop Test	75 CM free falling on Concrete floor, 10 times.			
15-7	Temperature Cycle test	-25~ + 65 °C 5 Cycles Temperature test.			

DATE	SPEC.NO	Version	Page
April 16, 2011		A0	2/5

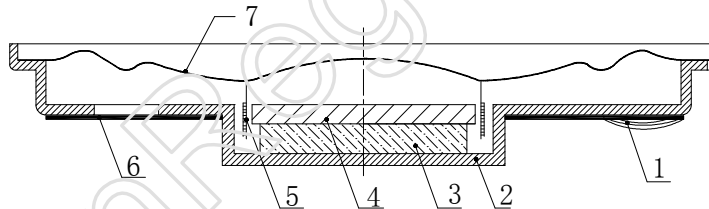
SPECIFICATION

Model : RB-4020008F-04R

16: Drawing(Fig1) Unit: mm Tolerance:±0.3mm



17. Speaker Construction

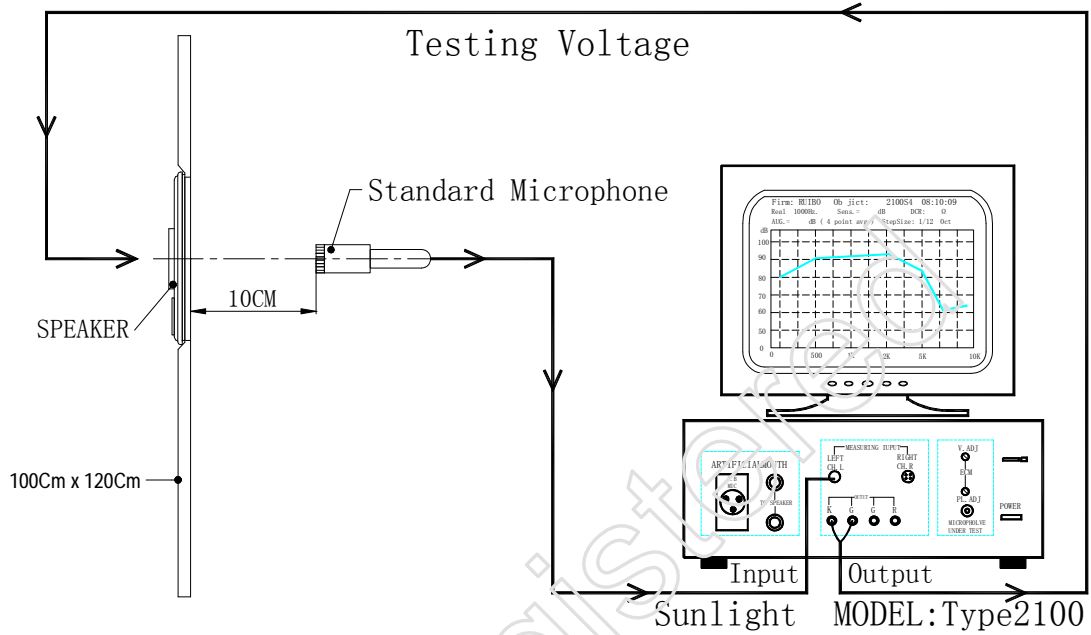


NO	PART NAME	MATERIAL	Q'TY
1	TERMINAL	P.C.B	1
2	FRAME	SPCC	1
3	MAGNET	Nd-Fe-B	1
4	WASHER	SPCC	1
5	VOICE COIL	COPPER	1
6	CLOTH	CLOTH	1
7	DIAPHRAGM	SILK	1

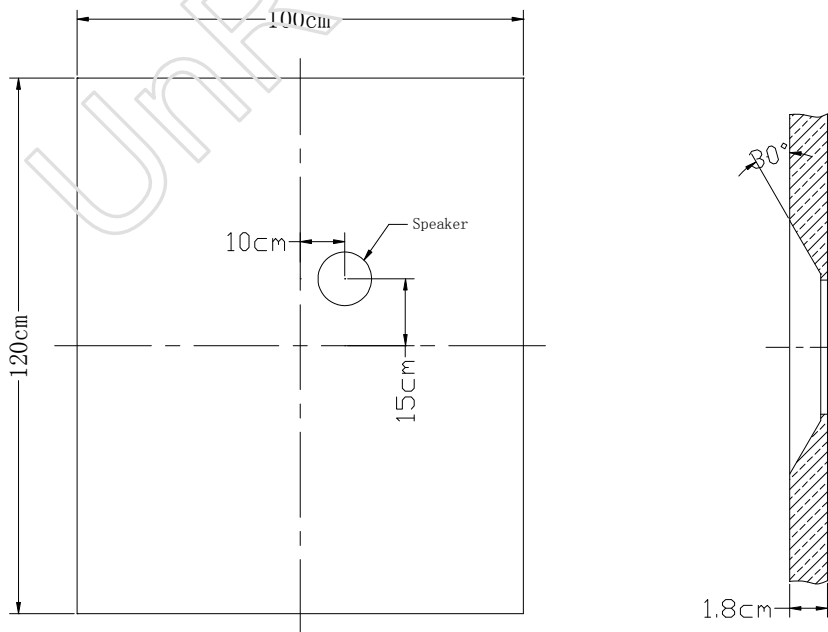
DATE	SPEC.NO	Version	Page
April 16, 2011		A0	3/5

SPECIFICATION

18.Measurement Method Fig(2).



19. Test baffle Diagram



DATE	SPEC.NO	Version	Page
April 16, 2011		A0	4/5



DONGGUAN RUIBO ELECTRONIC CO., L.T.D.

东莞市瑞波电子有限公司

Dong Shan Guan Li Qu, Qishi Town, Dong guan City, Guangdong CHINA.

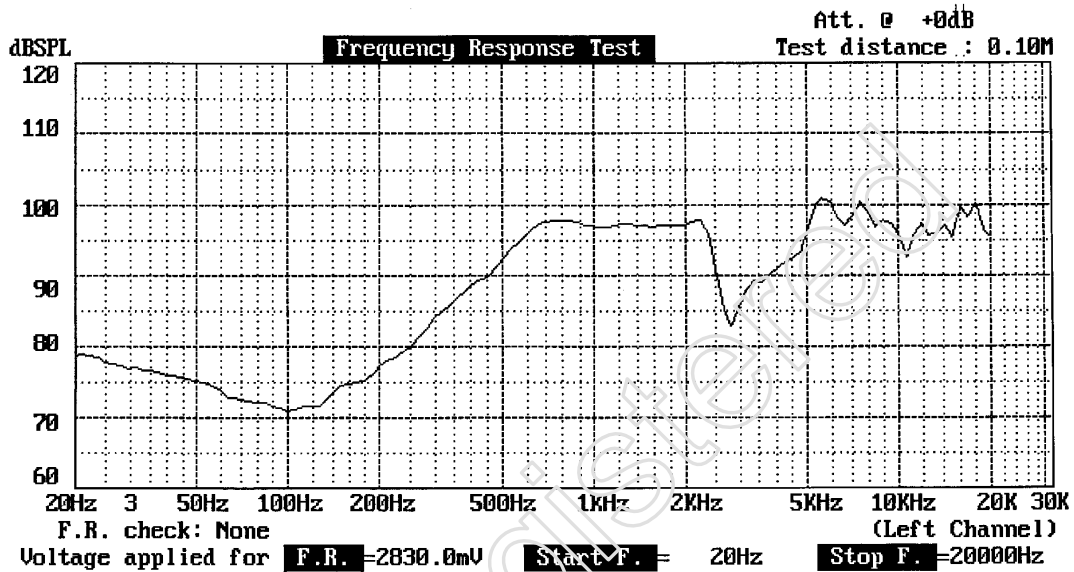
中國 廣東省 东莞市 企石镇 东山镇 永盛工业园

TEL: (86-769) 86572629 FAX: (86-769) 86572621

SPECIFICATION

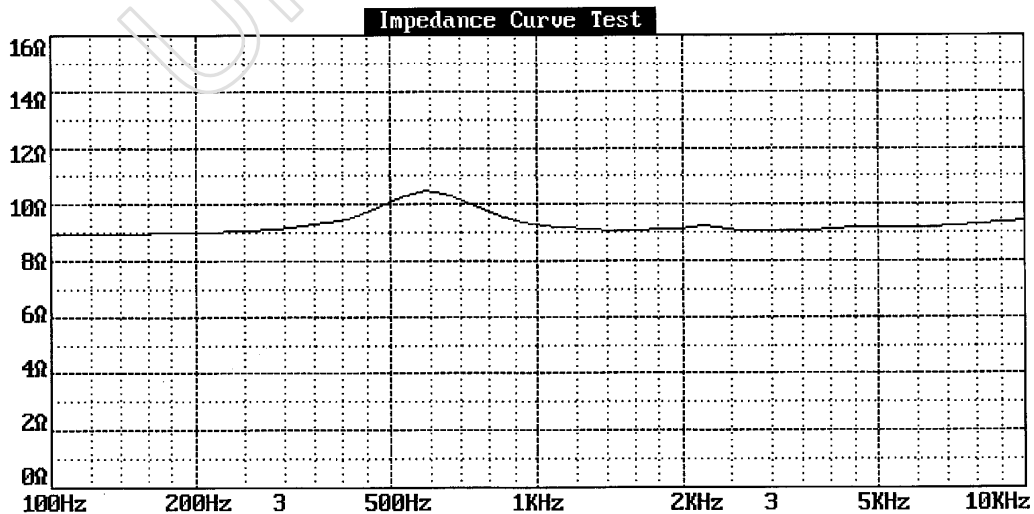
20. Frequency Resonance Fig (3).

Firm: RUIBO Object: 4020008F 2100S4 F 2.10 04-14-2011 16:57:33
 Real 1000Hz Sens.= 97.1dB SPL Pass F.R.: Pass DCR: 0.91Ω Pass
 Avg.= 97.1dB SPL Pass (4 point avg.) Step Size: 1/12 Oct.



21. AC Impedance curve

Firm: RUIBO Object: 4020006F 2100S4 F 2.10 04-14-2011 16:52:16
 Start Freq. = 100Hz Stop Freq. = 10000Hz Sweep Speed: 1/12 Oct.
 ACV = 1000.0mV ACZ = 5.30 Ω @ 1000Hz. (Real)
 Fo = 616Hz; Qm = 1.75; Qe = 8.39; Qt = 1.45; DCR = 8.82Ω.



DATE	SPEC.NO	Version	Page
April 16, 2011		A0	5/5