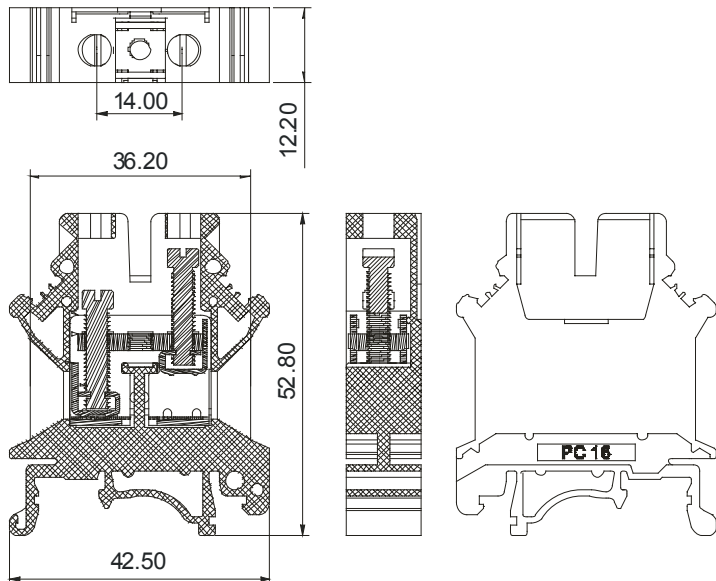
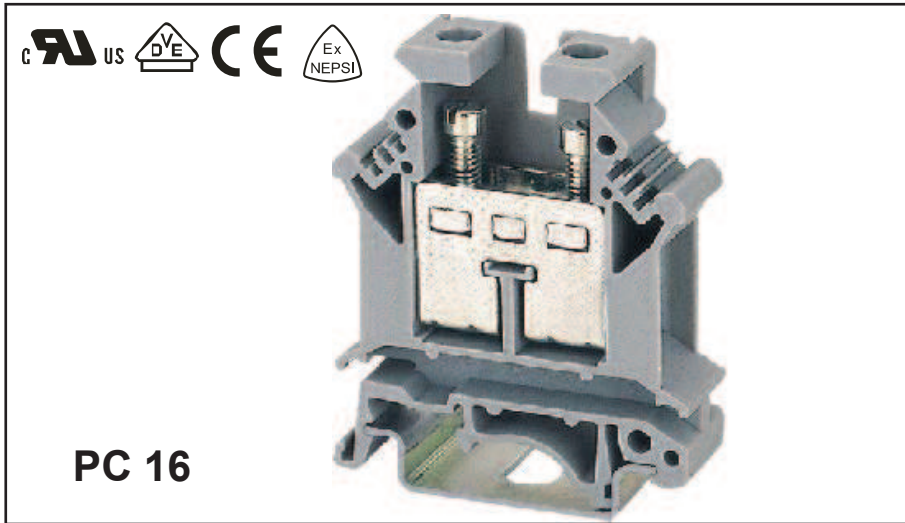




# DEGSON ELECTRONICS CO., LTD.

## Product Specification



Approval	c	
<b>Capability</b>	<b>UL</b>	<b>IEC</b>
Standard	600V	800V
Rated Voltage	85A	76A
Rated Current	12-4AWG	0.2-16mm <sup>2</sup>
Wire size	12.2/42.5/1.5mm	54/61.5/59mm
T/W/End plate	8KV/3	
Height(mm)(NS35:7.5/NS35:15/NS32)	11mm	
Rated surge voltage/Contamination Class	M4/1.2N.m/10.5Lb-in	
Stripping length	B7	
Screw thread/Tightening torque	PA/V-0	
Internal cylindrical gage		
Insulating Material/Inflammability class		
<b>Specification</b>	<b>Model</b>	<b>Pieces</b>
(1) Terminal block	PC 16	50
(2) End cover	D-PC 16	150
(3) Fixed bridge	FBI 10-12	100
(4) Step bracket		
(5) Insertion bridge	EB 10-12	50
(6) Isolator bridge bar, 10P		
(7) Bridge bar isolator		
(8) Switching bridge		
(9) Separating plate	TS-K	50
(10) Separating plate, width 1.5mm	ATP-PC	50
(11) Test plug socket	DSB 4/7/6	100
(12) Test plug socket, insulated	DSBJ 4/15/6	
(13) Zack strip	ZB10	200

### HOW TO ORDER :

-  P - 1  - 

X	X	X
Customer Request		

Series No.                      No. of pole                      Color

1	Gray	4	Green	7	Transp-arent
2	Blue	5	Orange	8	Yellow
3	Black	6	Red	9	White

	<b>DEGSON ELECTRONICS CO., LTD.</b>
	<b>NAME</b> <b>PC 16</b>