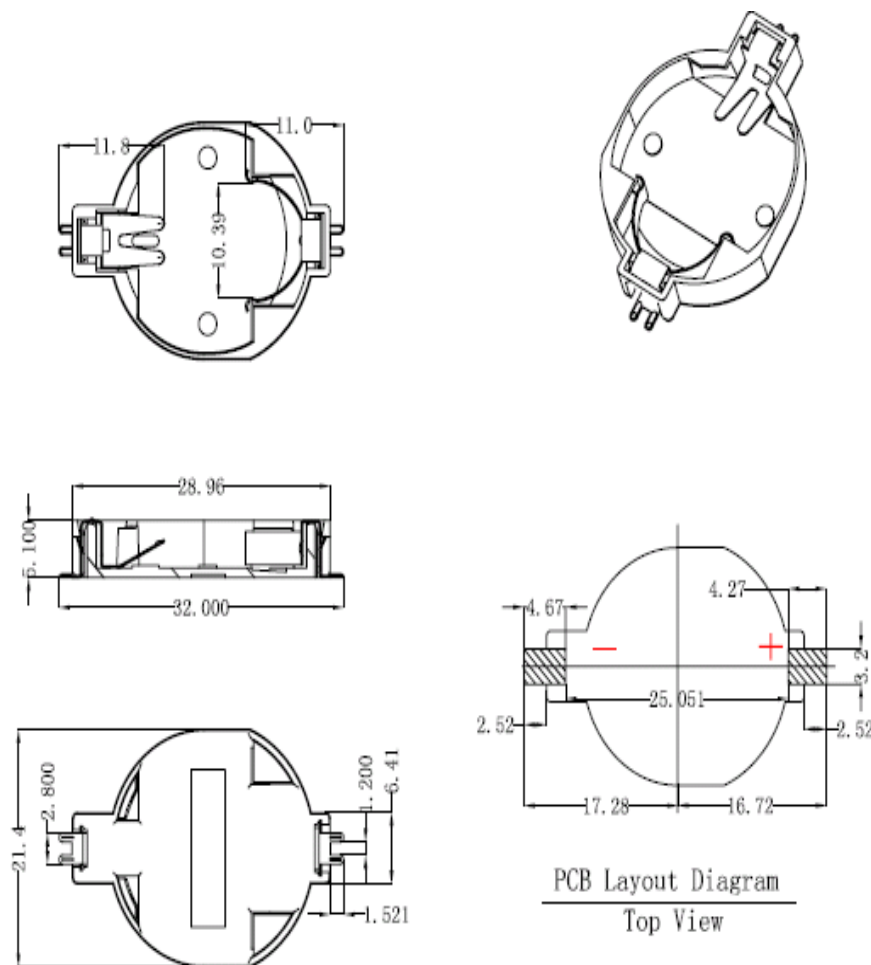


BH029-2 (For CR2032)

- *The battery is solidly anchored in the holder
- *Battery can be charged very easily and you are assured of reliable firm contact
- *There is no battery damage from short circuiting or soldering.
- *BH029-2 battery holder for CR2032 battery.

Battery Holder Dimension (Unit: mm)



NOTE:

1.MATERIAL:

- a.HOUSING:THERMOPLASTIC GLASS FIBRE UL94V-0
 - b.CONTACT:PHOSPHOR BRONZE
(SURFACE PLATING: Au*u*)
- SEE ORDERING INFORMATION

2.ELECTRIC:

- a.CONTACT RESISTANCE: 30 MILLIOHMS MAX
- b.INSULATION RESISTANCE: 1000 MEGA OHMS MIN
- c.DIELECTRIC VOLTAGE: 500V AC ONE SEC LEVEL
- d.OPERATING TEMPERATURE: -25° C~ +85° C