

TERMINAL BLOCK Connector



Pluggable Series

KLS2-EDGKD-3.50/3.81 Series Pitch=3.50mm/3.81mm

Electrical :

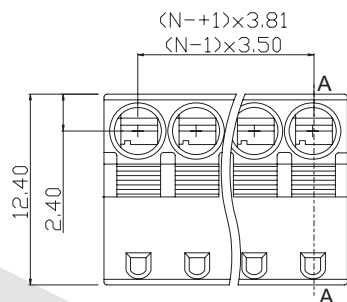
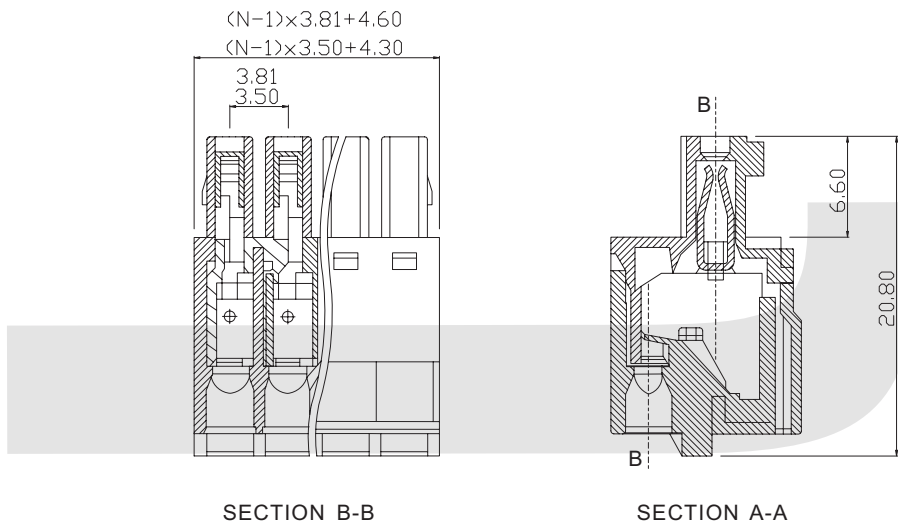
- Rated voltage: 300V
- Rated current: 8A
- Contact resistance: 20mΩ
- Insulation resistance: 5000MΩ/1000V
- Withstanding Voltage: AC2000V/1Min

Material

- Housing: PA66, UL94V-0
- Contact: Phosphor Bronze, Ni plated, Stainless steel

Mechanical

- Temp. Range: -40°C~+105°C
- Wire range: 28-16AWG 1.5mm²
- Strip length: 7-8mm



ORDER INFORMATION

Product NO.: KLS2-EDGKD-3.50-XXP X X

