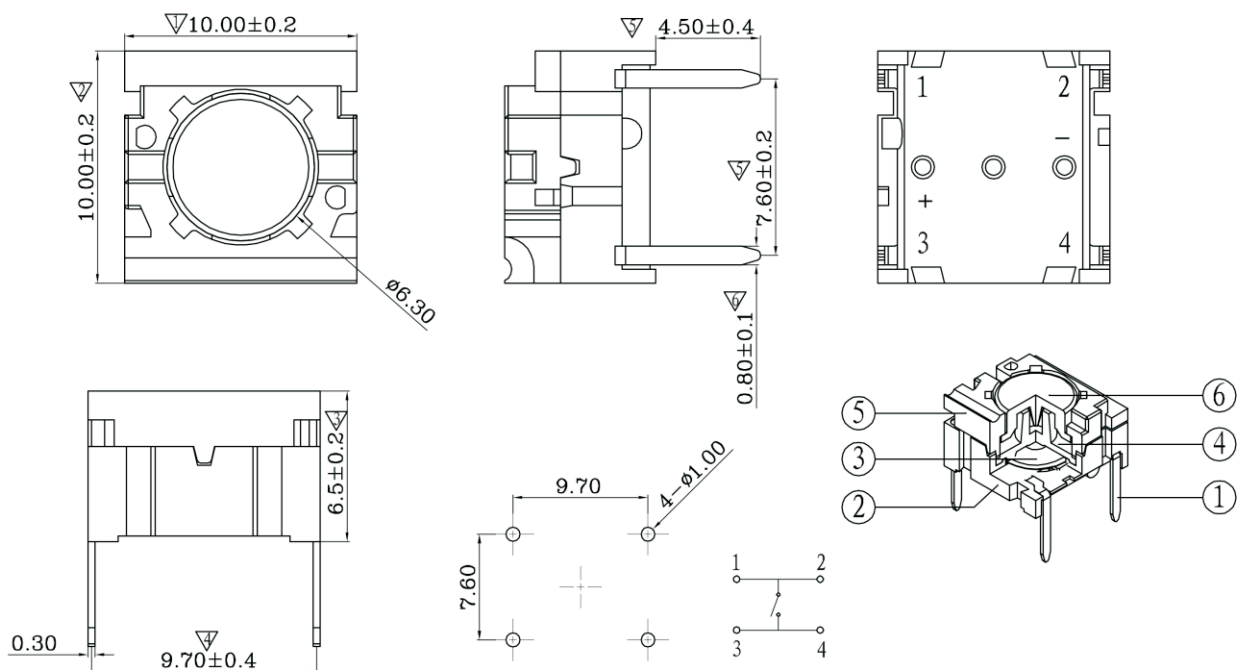
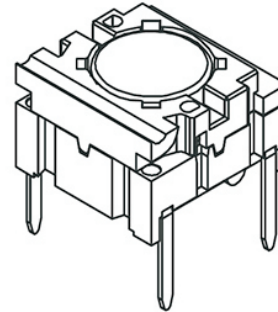


## Tactile Switches

L-KLS7-10X10-8.5-300-RB

### Technical parameter:

- 1 rated current: 30V 0.1A DC
- 2 high voltage: AC 250 volts (50-60 Hz) for 1 minutes
- 3 contact resistance: 100mΩ Max
- 4 insulation resistance: 100MΩ min. 500VDC.
- 5 operating force: 300±100gf
- 6 stroke: 0.3mm ±0.6mm
- 7 life: 100 times
- 8 type of operation: touch response type



## ORDER INFORMATION

Product NO.: L-KLS7-10X10-8.5-300

