

**SPECIFICATION**

Temperature Range: -25°C ~ +85°C  
 Insulation Resistance: 1000MΩ Min  
 Dielectric Voltage: 1500V AC/minute

**MATERIAL**

Insulator: Nylon 66, UL94V-2

**ORDER INFORMATION**

5 H 5 0 3 0 F X - 3 X X W B L 0 0 A 0 1

503:Pitch 5.03mm

F:Female

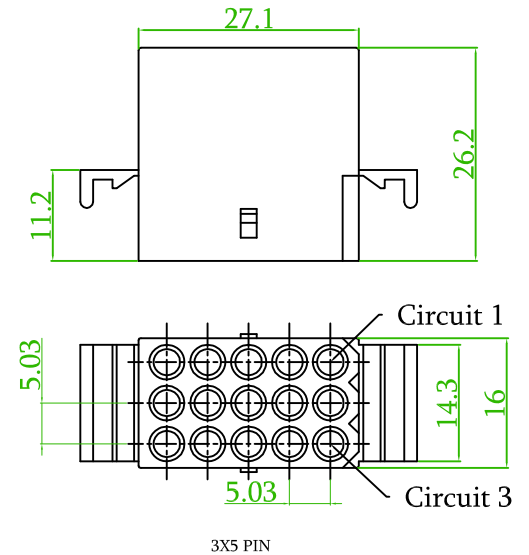
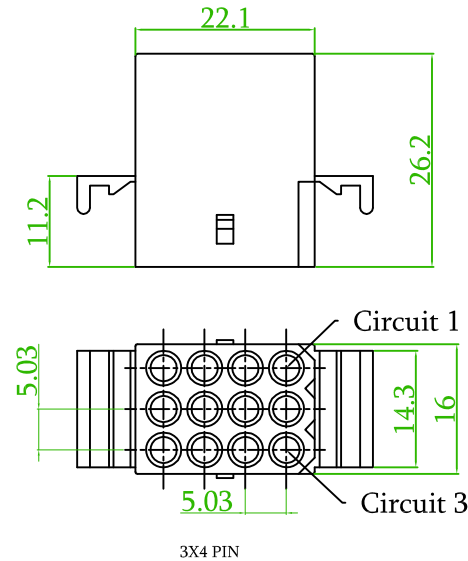
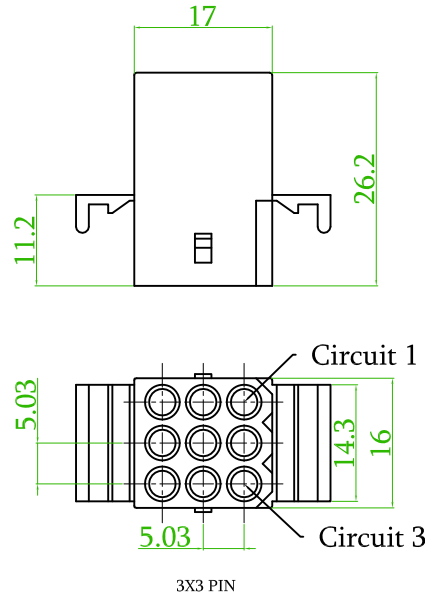
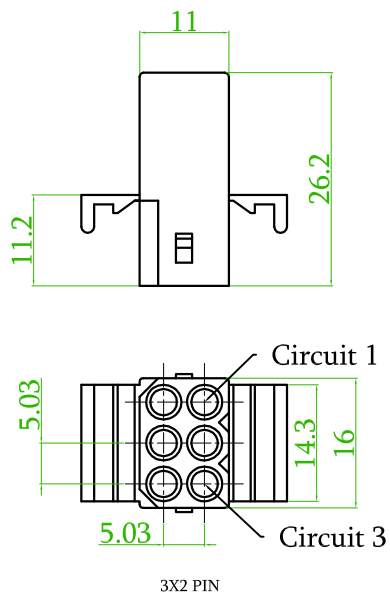
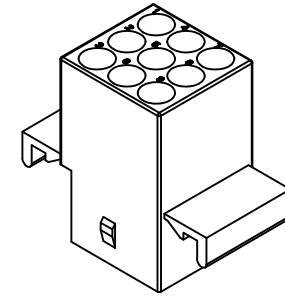
0:W/O Ear  
1:With Ear

No. of contacts per row(02-05)

W:White

B:Bag

RoHS



REV.	ECN NO. OR DESCRIPTION	REVISED	DATE

<p>Amtek Technology Co., Ltd.                  TEL: 886-2-2260-6878                  FAX: 886-2-2260-8030</p>	品名 TITLE	5.03mm PITCH HOUSING				頁數 Page	1/1
	品號 PART NO.	5H5030FX-3XXWBL00A01				繪圖 DRAWN	Gary 2017/07/05
	圖號 DRAWING NO.	GW090-GA460	版本 REV.	A	核對 CHECKED	Carol 2017/07/05	
	客戶品號 CUSTOMER P/N		比例 SCALE	None	承認 APPROVED	Jason 2017/07/05	
	公差 TOLERANCE	.X ±0.3 .XX ±0.2	X°±3°	單位 UNIT	mm	THIRD ANGLE PROJECTION	