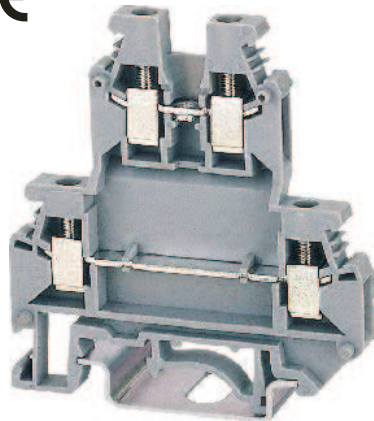


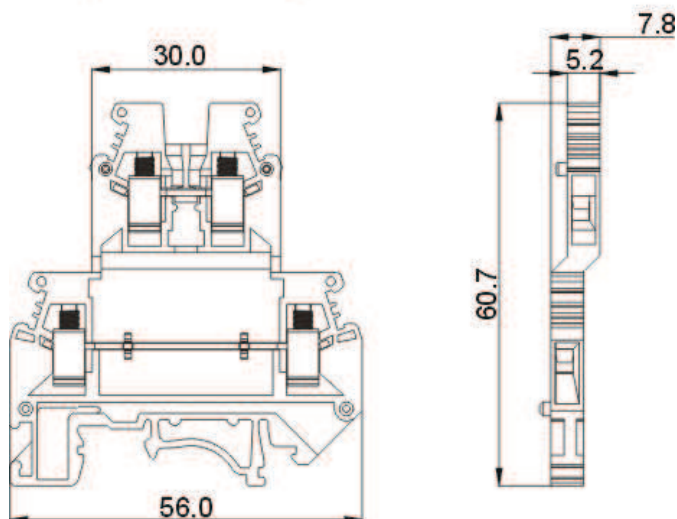
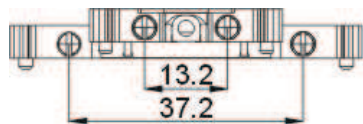


DEGSON ELECTRONICS CO., LTD.

Product Specification



PCKK 2.5



Approval		
Electrical	UL	IEC
Standard		
Rated voltage	300V	500V
Rated current	20A	24A
Wire size	24-12AWG	0.2-2.5mm ²
T/W/End plate		5.2/56/2.6mm
Height(NS35:7.5/NS35:15/NS32)		62/69.5/67mm
Rated surge voltage/Contamination class		6KV/3
Stripping length		8mm
Screw thread/Tightening torque		M3/0.5N.m/4.5Lb-in
Internal cylindrical gage		A3
Insulating material/Inflammability class		PA/V-0
Specification	Model	Pieces
(1)Terminal block	PCKK 2.5	50
(2)Cover	D-PCKK 2.5	100
(3)Spacer plate	DG-PCKK 2.5	50
(4)Spacer plate	DP-PCKK 2.5	50
(5)Fixed bridge	FBRI 2-5	10
with fixed crimped rolls	FBRI 3-5	10
2P	FBRI 4-5	10
3P	FBRI 10-5	10
5P	EB 2-5	
10P	EB 3-5	50
(6)Insertion bridge	EB 10-5	
2P		
3P		
10P		
(7)Isolator bridge bar,10P	ISSBI 10-6	10
(8)Bridge bar isolator		
(10)Separating plate	TS-KK3	400
(11)Partition plate	ATP-PCKK 2.5	50
(12)Zack strip	ZB 5	300

HOW TO ORDER :

- P - 1 -

X	X	X
Customer Request		

Series No. No. of pole Color

1	Gray	4	Green	7	Trans-parent
2	Blue	5	Orange	8	Yellow
3	Black	6	Red	9	white

	DEGSON ELECTRONICS CO., LTD.
	NAME PCKK 2.5