

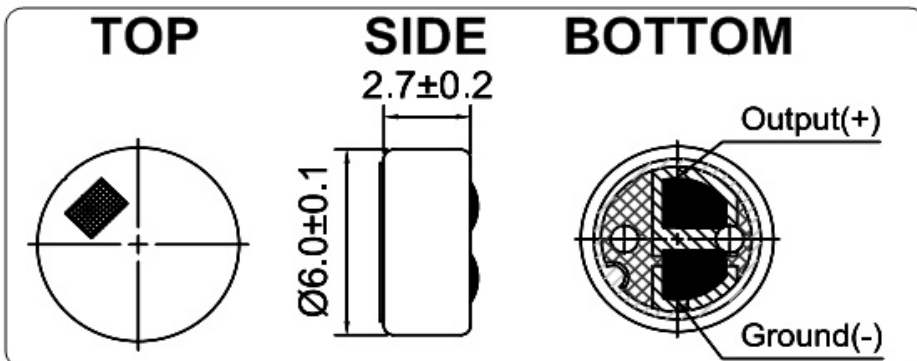
## SPECIFICATIONS SHEET

CONDENSER MICROPHONE  
P/N: NM6027CF513S

### 1. SPECIFICATIONS

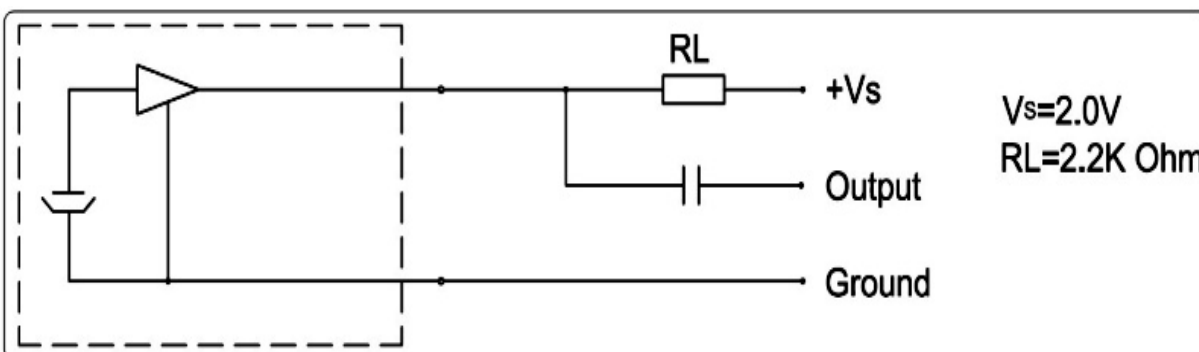
PARAMETERS	VALUES	UNITS
DIRECTIVITY	Noise Cancelling	-
SENSITIVITY ( 0 dB = 1 V/pa AT 1 KHz )	-51 ± 3	dB
IMPEDANCE	Low Impedance	-
FREQUENCY RANGE	100 - 10,000	Hz
MAX OPERATING VOLTAGE	10	V
STANDARD OPERATION VOLTAGE (Vs)	2	V
RESISTANCE LOADING (RL)	2.2k	Ohm
MAX CURRENT CONSUMPTION	0.5	mA
S/N RATIO	>55	dB
OPERATING TEMPERATURE	-20 to +60	°C
STORAGE TEMPERATURE	-40 to +70	°C

### 2. DIMENSIONS (unit in mm)



Tolerance: ±0.5mm except specified

### 3. DRIVING CIRCUIT



VERSION: 01

DATE: 26-Nov-08

All specifications subject to change without notice