
SPECIFICATIONS SHEET FOR APPROVAL

CONDENSER MICROPHONE (BACK ELECTRET)
P/N: UM6022GF503BP-03

DESCRIPTION: D6.0mm, H2.2mm Condenser Microphone, Uni-Directional,
-50 ± 3dB , with 10pF & 33pF, add rubber holder

VERSION: 01

DATE: 1-Mar-12

REVISIONS

VERSION	DESCRIPTION	DATE
01	Released from engineering	1-Mar-12

APPROVED BY :

CUSTOMER NAME :

DATE :

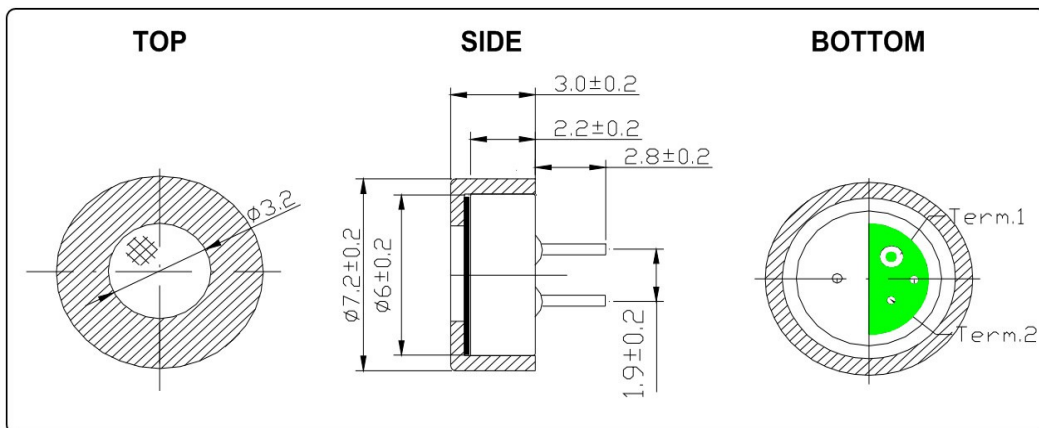
SPECIFICATIONS SHEET

CONDENSER MICROPHONE (BACK ELECTRET)
P/N: UM6022GF503BP-03

1. SPECIFICATIONS

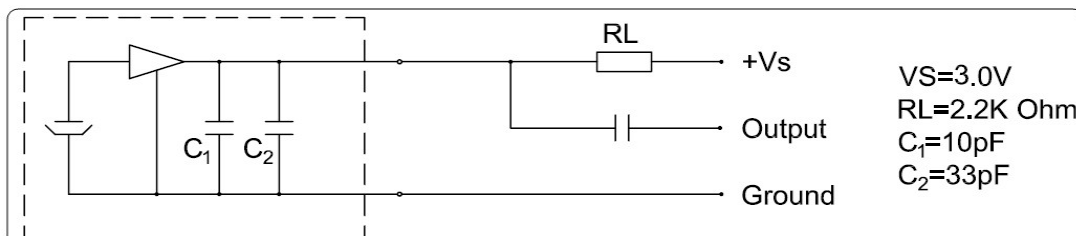
PARAMETERS	VALUES	UNITS
DIRECTIVITY	Uni-Directional	-
SENSITIVITY (0 dB = 1 V/pa AT 1 KHz)	-50 ± 3	dB
IMPEDANCE	Low Impedance	-
FREQUENCY RANGE	100 – 10,000	Hz
MAX OPERATING VOLTAGE	10	V
STANDARD OPERATION VOLTAGE (Vs)	3	V
RESISTANCE LOADING (RL)	2.2k	Ohm
MAX CURRENT CONSUMPTION	0.5	mA
S/N RATIO	>55	dB
OPERATING TEMPERATURE	-20 to +60	°C
STORAGE TEMPERATURE	-40 to +70	°C

2. DIMENSIONS (unit in mm)



Tolerance: ± 0.5 mm except specified

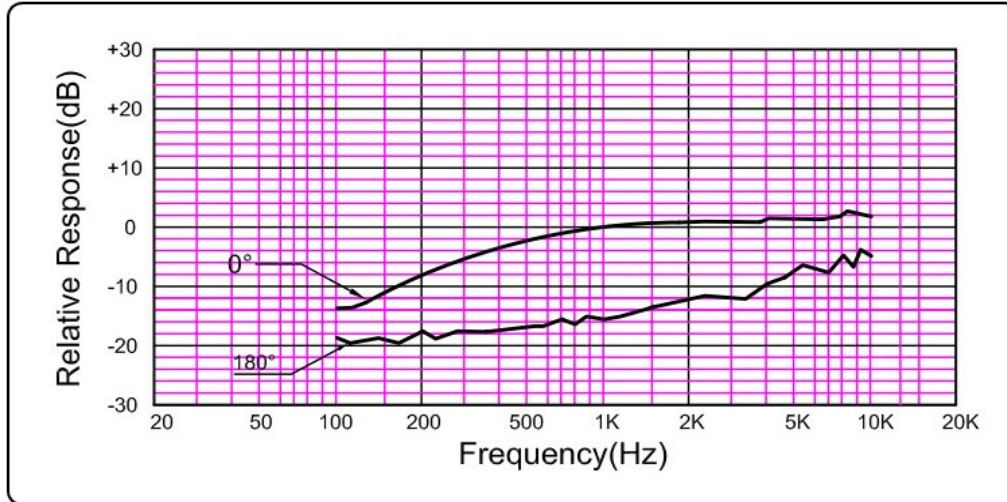
3. DRIVING CIRCUIT



VERSION: 01
DATE: 1-Mar-12

All specifications subject to change without notice

4. TYPICAL FREQUENCY RESPONSE



5. RELIABILITY TEST

1) Temperature Test

- After exposure at +70°C for 200 hours, sensitivity must not varied more than ± 3 dB from Initial sensitivity.
- After exposure at -20°C for 200 hours, sensitivity must not varied more than ± 3 dB from Initial sensitivity.
(The measurement to be done after 2 hours of conditioning at 20°C, R.H 50% for recovering)

2) Temperature Cycle Test

After exposure at "70°C for 30 minutes, at 20°C for 10 minutes, at -20°C for 30 minutes, at 20°C for 10 minutes" for 5 cycles, sensitivity must not be varied more than ± 3 dB from initial sensitivity.

3) Humidity Test

After exposure at +40 \pm 2°C, 90-95%RH for 200 hours, sensitivity must not be varied more than ± 3 dB from initial sensitivity.
(The measurement to be done after 2 hours of conditioning at 20°C, R.H 50% for recovering)

4) Vibration Test

The Microphone unit must be subjected to each 2 hours vibrations at three axes 2mm dynamic range, 10~50hz/minute.

5) Drop Test

The Microphone unit without package must be subjected to each 3 drops at three axes from the height Of 1 meter to 20 mm thick hardwood board.

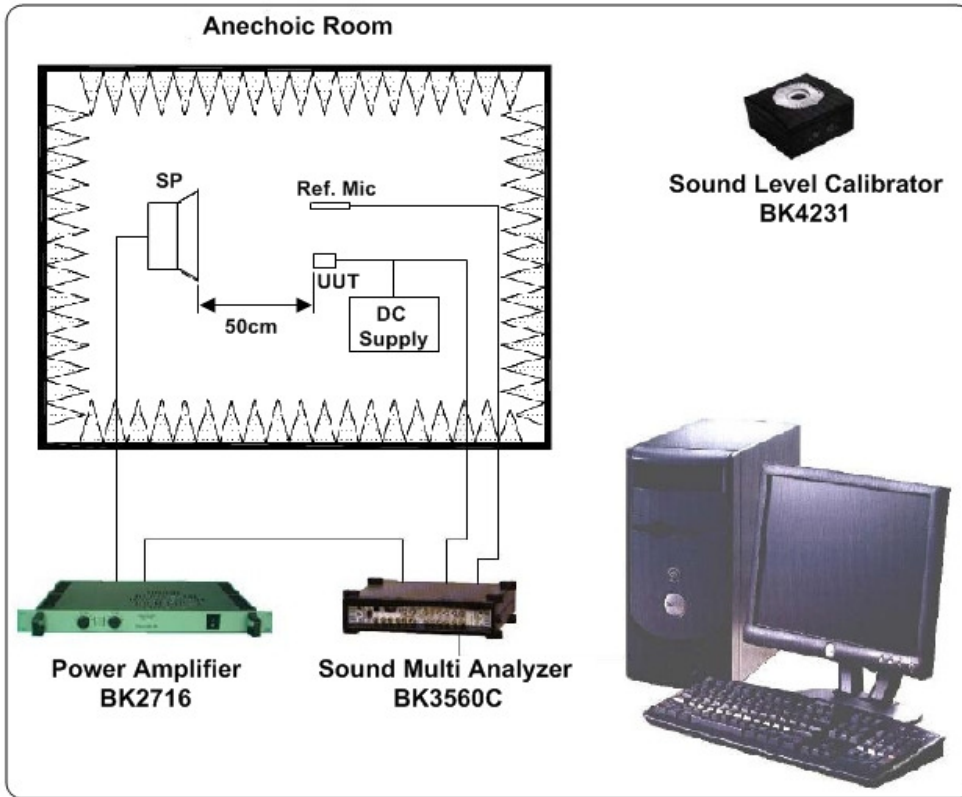
VERSION: 01

DATE: 1-Mar-12

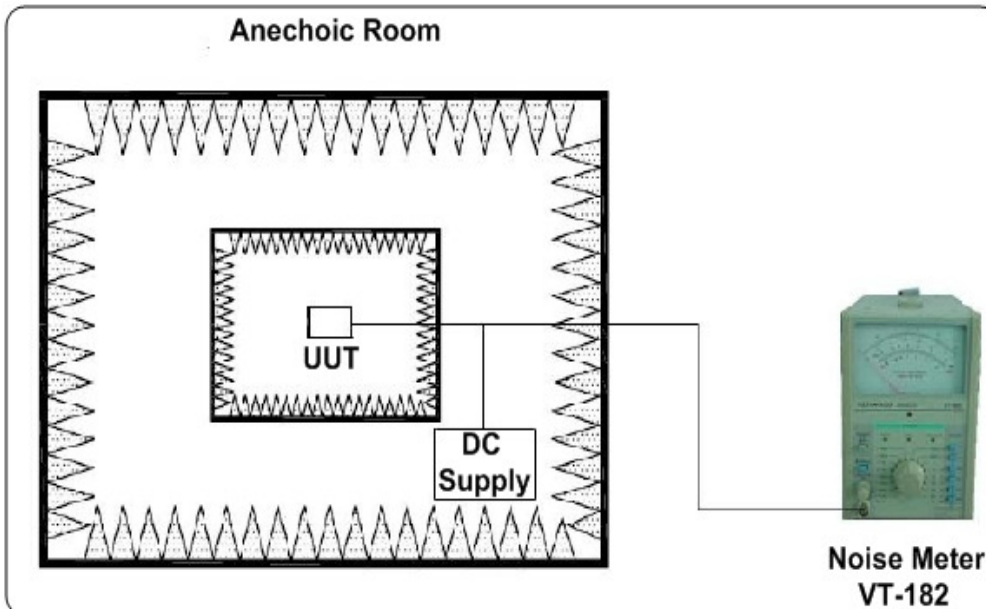
All specifications subject to change without notice

6. MEASUREMENT SYSTEM:

1) Standard Frequency Response Test



2) S/N Ratio Test



VERSION: 01
 DATE: 22-Mar-12

All specifications subject to change without notice