

PCB Support Series

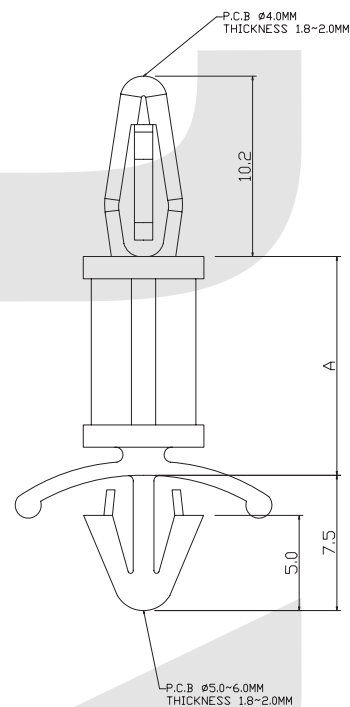
KLS8-0227 PCB Support Series

Material: UL approved Nylon 66, 94V-2
by hand to support P.C.B. Can be removed for
replacement easily.

Unit:mm



| ITEM NO. | A |
|----------|------|
| BLK-03 | 3.5 |
| BLK-05 | 4.8 |
| BLK-06A | 6.0 |
| BLK-06B | 6.4 |
| BLK-08 | 7.9 |
| BLK-09 | 9.5 |
| BLK-11 | 11.1 |
| BLK-12 | 12.7 |
| BLK-16 | 15.9 |
| BLK-19 | 19.1 |
| BLK-22 | 22.2 |
| BLK-25 | 25.4 |
| BLK-28 | 28.6 |
| BLK-31 | 31.7 |
| BLK-35 | 34.9 |



ORDER INFORMATION

KLS8-0227 - BLK-03

Hight
 PCB Support Series
 Part Number