

Technical Document

FD 1225 24 B 40 RH



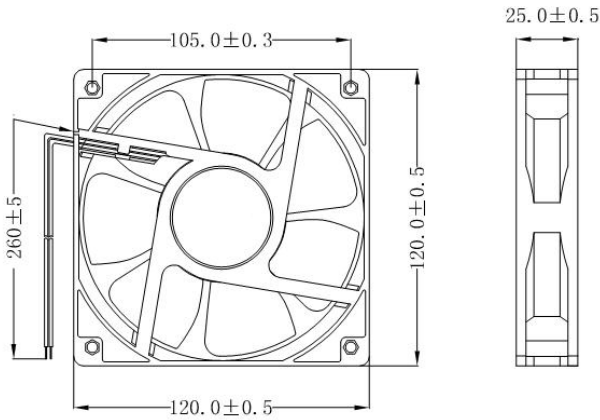
December 2015, Brussels

Features

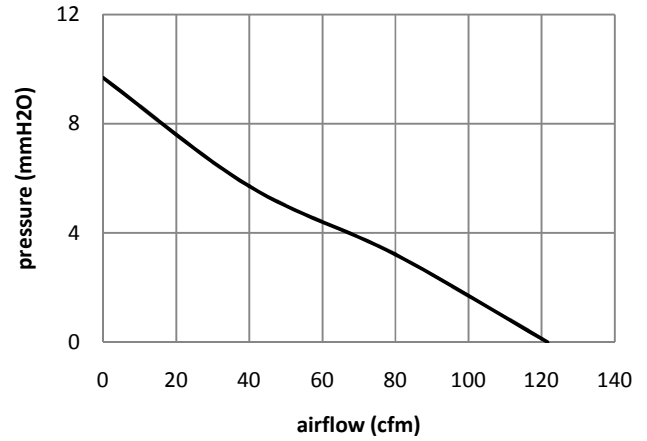
Parameter	Units	Specifications
Dimensions	mm	120x120x25
Weight	gram	125
Power Supply	VDC	24
Current	A	0.38
Power Input	W	9.12
Speed	RPM	4000
Air Flow	cfm	121.16
Static Pressure	mmH ₂ O	9.65
Sound Level	dba	50.5
Operating Temp.	°C	-10~+70
Life	hours	70000
Bearing	-	Ball bearing
Rotation Detection	RDH	When locked, RD signal = Vcc
Housing Material	-	UL 94-0 rating thermoplastic
Impeller Material	-	UL 94-0 rating thermoplastic
Electrical Connection	-	Lead wires (L)
Polarity Protection	-	Open circuit when Vcc and GND are exchanged.
Certifications	-	CE

*: above specifications are subject to change without prior notice

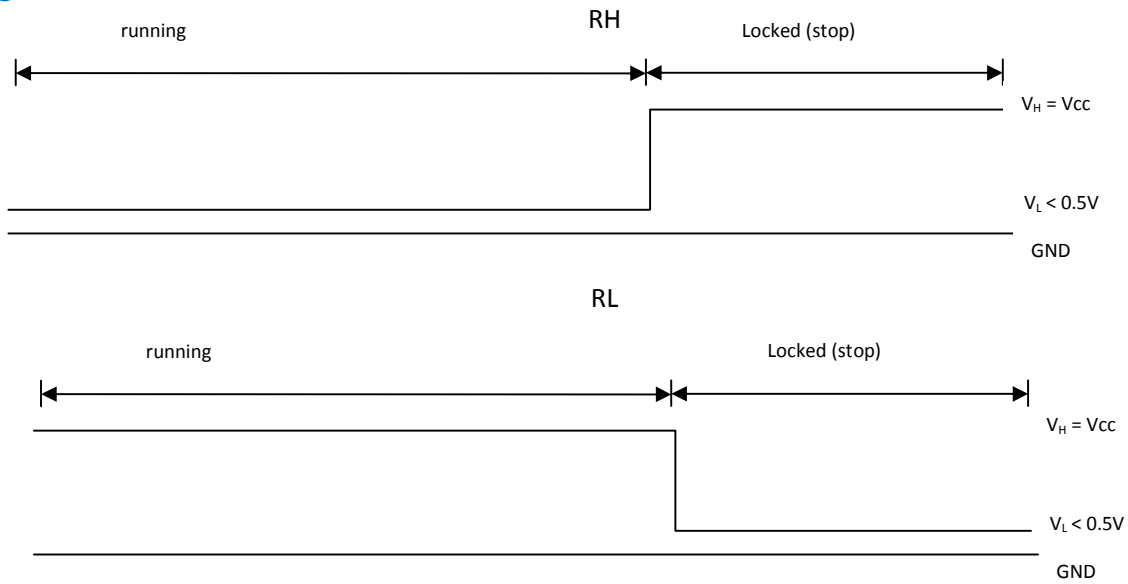
Dimensions



Performance



RD signal:



Ordering Code:

Model	Part Number	Description
FD1225 24 B 40 RH	200230	DC120x120x25 fan, 4000 rpm, ball bearing, lead wires, RD signal RH type