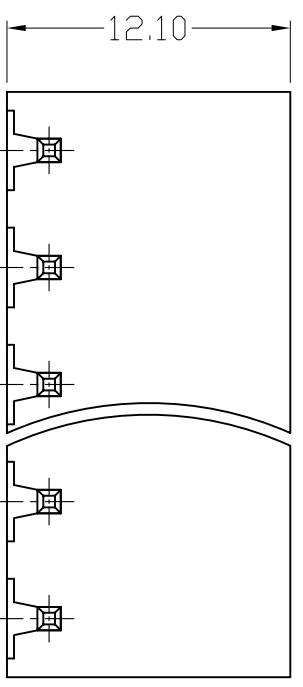
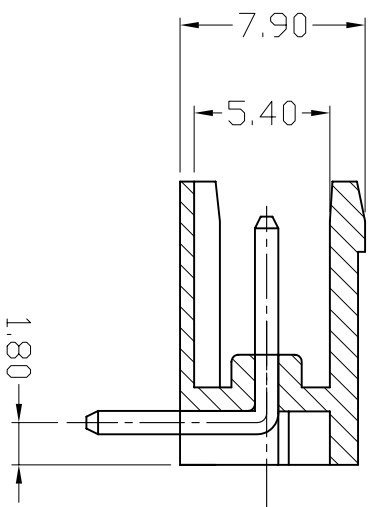
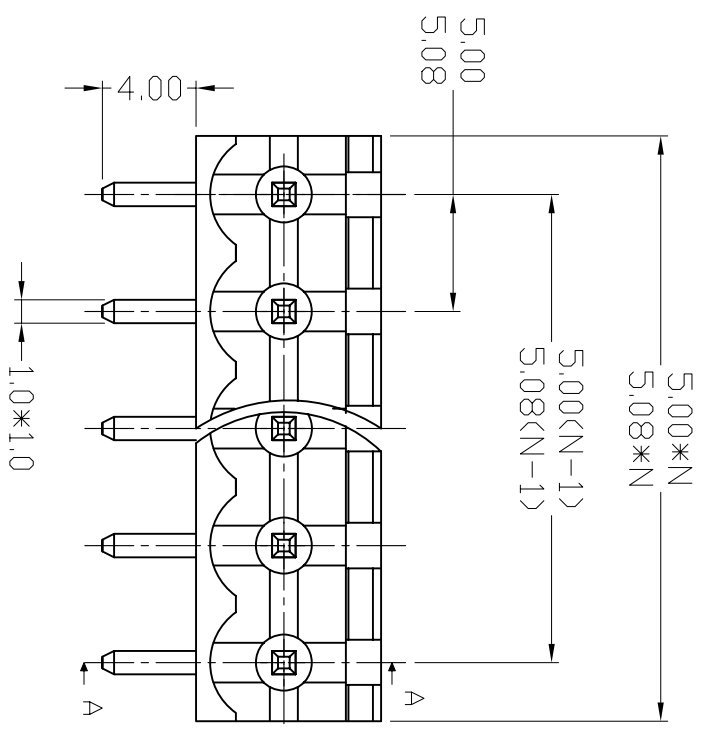


REV.	DESCRIPTION	DRAWN	CHECKED	APPROVED
A				



**·MATERIAL**  
PIN HEADER : BRASS, TIN PLATED  
HOUSING : PA66, UL94V-0

**·ELECTRICAL**  
RATED VOLTAGE : 300V  
RATED CURRENT : 15A  
CONTACT RESISTANCE : 20mΩ  
INSULATION RESISTANCE : 5000MΩ/1000V  
WITHSTANDING VOLTAGE : AC1500V/1Min

**·MECHANICAL**  
TEMP RANGE : -40°C ~ +105°C  
MAX SOLDERING : +250°C, FOR 5 SEC.

GENERAL TOLERANCE	ANGLE TOLERANCE
X. ±0.20	X. ±2°
.X ±0.15	.X ±1°
.XX ±0.10	.XX ±0.5°
DRAWING TYPE	COMPONENTS
SCALE	1:1
DRAWING NO.	SHEET 1 OF 1

PROJECTION	UNITS	TITLE
⊕ - ▽	mm	Pruggalbe Terminal Blocks5.00/5.08mm
SHEET SIZE	A4	SERIES
		KF2EDGR

**KF** 慈溪市凯峰电子有限公司  
KAIFENG ELECTRONIC CO.,LTD

