

## FA 1755E 23B 28M 7B

(172x150x55 mm)

### Features

- Die casting aluminum frame
- Metal material spot welding on rotor shell
- Ball bearing
- Electrical connections: lead wires
- Operating temp.: -15~+75 °C
- Life time: 50000 hrs@20 °C
- Impedance protection
- Weight: 960 g
- Certificates: CE

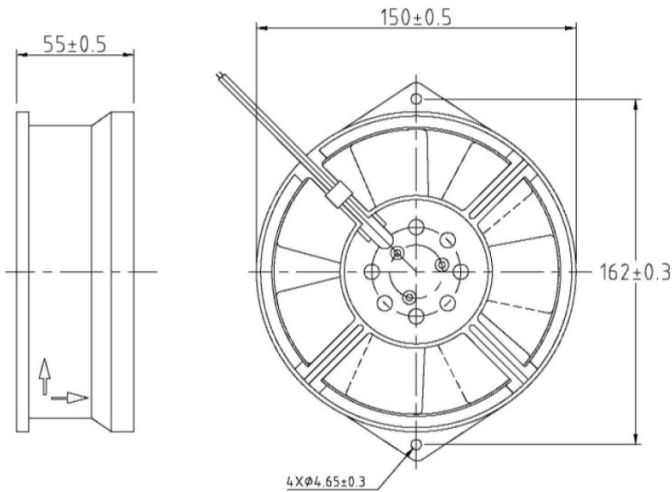


Model	Voltage VAC	Frequency Hz	Current A	Input Power (W)	Speed RPM	Airflow CFM	Static pressure (mmH2O)	Sound level dBA
FA 1755E 23 B 26M 7B	220/240	50/60	0.30/0.28	46/44	2750/3100	200/240	13.0/15.5	52/56

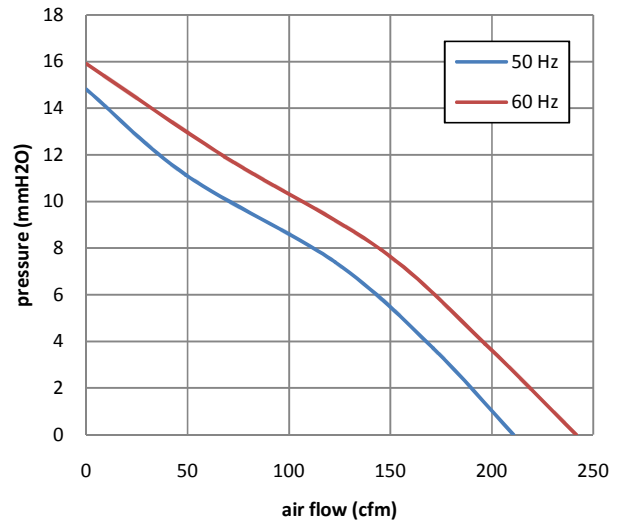
\*: above specifications are subject to change without prior notice

\*\*: for non-standard product, contact our sale's team at [info@ventus-sa.com](mailto:info@ventus-sa.com)

### Dimensions



### Performance



### Ordering Code:

Fan type AC fans	Dimensions	Voltage			Bearing type		Speed	optional Metal impeller	-	Electrical connections		Other specs*
		110	230	380	Ball	sleeve				Terminals	Lead wires	
FA	1755E	-	23	-	B	-	28	M 7B	-	-	L	/O

\*: if the ordered item is not standard fans offered on our website, always put "/O" at the end of the ordering code and specify the project number which is unique for any non-standard products. Sales team will provide this project number together with specs sheet confirmed by both parties.

Example: FA 1755E 23 B 28M7B-L