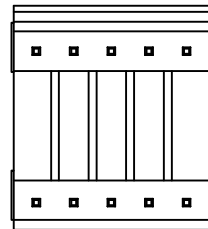
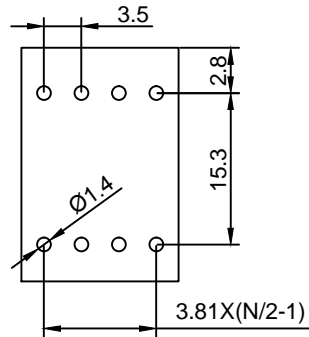
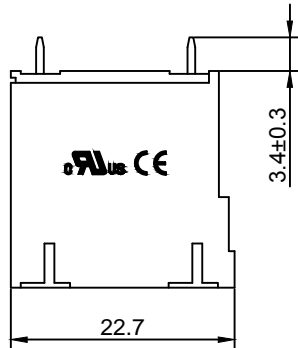
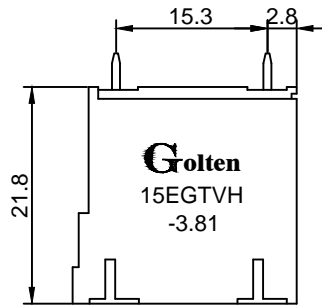
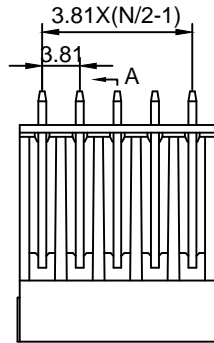
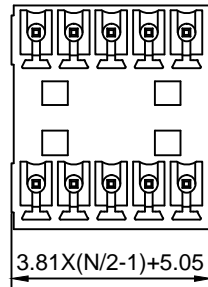


A-A



Material :

- (a) Cover : PA66(UL94V-0)
- (b) Housing : PA66(UL94V-0)
- (c) Pin Header : Brass , Tin Plated

Electrical :

- 1. Rated Voltage : 300V
- 2. Rated Current : 8A
- 3. Withstanding Voltage : AC1600V/1Min.
- 4. Operating Temperature : -40°C~+105°C
- 5. RoHS Compliance
- 6. Safety Approval :
- 7. Undimensioned Tolerances:

Pitch Range In mm			Nominal Dimension Range In mm					-	∩	∇
≤6	6 ~ 10	10 ~ 24	≤30	30 ~ 60	60 ~ 100	100 ~ 150	>150	0.05/10		
±0.10	±0.15	±0.25	±0.20	±0.30	±0.50	±0.70	±1.00	±0.1°		

15EGTVH - 3.81 - XXP - X X - 00 AH

①      ②      ③      ④      ⑤      ⑥      ⑦

- ① Series No.
- ② Pitch
- ③ Poles  
04 04Contacts  
06 06Contacts  
...  
48 48Contacts
- ④ 1 Single Pitch  
2 Double Pitch
- ⑤ Color: 1 Grey  
2 Blue  
3 Black  
4 Green(Standard For AH)  
5 Orange  
6 Red  
7 Transparent  
8 Yellow  
9 White
- ⑥ Customer Request : 00--Standard
- ⑦ AH--Standard(PA66)

DETACHED LISTS	<b>Golten</b> 宁波冠泰电子有限公司 NINGBO GOLTEN ELECTRONICS CO., LTD.													
	APPD: MA_11/13/16'	PART NO. 15EGTVH-3.81-XXP-XX-00AH												
	CHKD: Yu_11/12/16'													
	DRFT: Chen_11/11/16													
 THIRD ANGLE PROJECTION		<table border="1"> <tr> <td>DRAWING NO.</td> <td>REV</td> <td>1</td> </tr> <tr> <td></td> <td>SHEET</td> <td>1/1</td> </tr> <tr> <td>MM (INCH)</td> <td>DO NOT SCALE DRAWING</td> <td>SCALE</td> </tr> <tr> <td></td> <td></td> <td>1/1</td> </tr> </table>	DRAWING NO.	REV	1		SHEET	1/1	MM (INCH)	DO NOT SCALE DRAWING	SCALE			1/1
DRAWING NO.	REV	1												
	SHEET	1/1												
MM (INCH)	DO NOT SCALE DRAWING	SCALE												
		1/1												