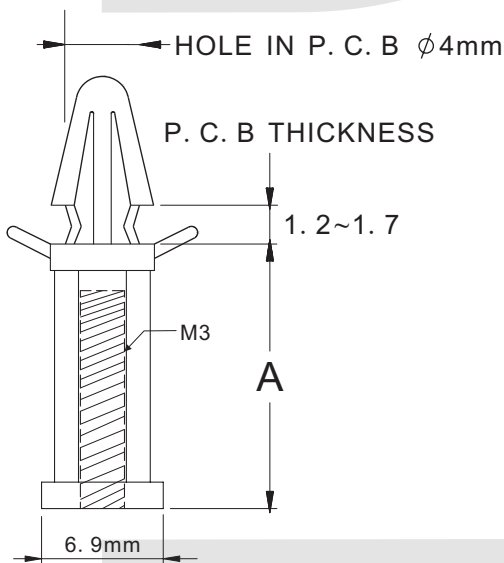


PCB Support Series

KLS8-0208 PCB Support Series

Material: UL approved Nylon 66, 94V-2
Drill 3.0mm hole on chassis before usage.

Unit:mm



Item No.	A	Packing
CS-5	5.0 (3/16")	100pcs (1000pcs)
CS-10	9.6 (3/8")	
CS-13	12.7 (1/2")	
CS-19	19.1 (3/4")	
CS-28	28.5 (1 1/8")	
CS-35	35.0 (1 3/8")	

ORDER INFORMATION

KLS8-0208 - CS-5

— Hight
— PCB Support Series
— Part Number