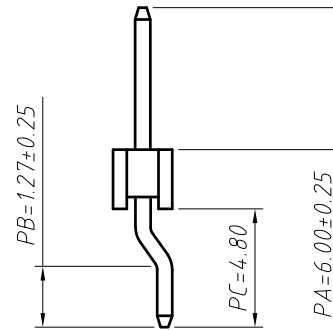
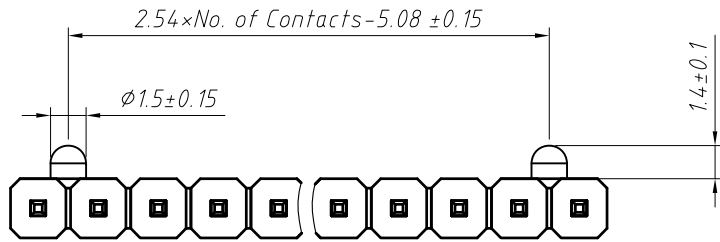


1 RoHS Compliance

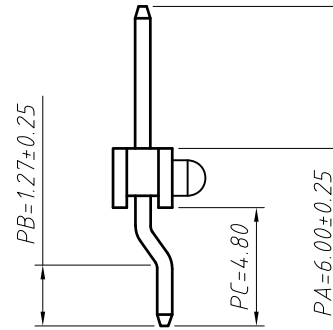
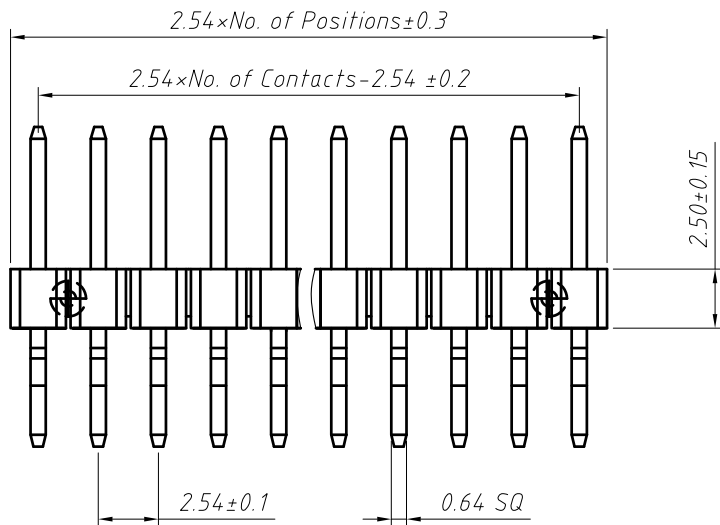


N=W/O Post

Material:
Standard: PA6T
Contact: Brass
Insulator: Polyester, UL94V-0

Electrical Characteristics:
Rated Current: 3AMP
Contact Resistance: 20mΩ Max
Withstand Voltage: 1000V AC/DC
Insulator Resistance: 1000MΩ Min

Mechanical
Operating Temperature: -40°C ~ +105°C



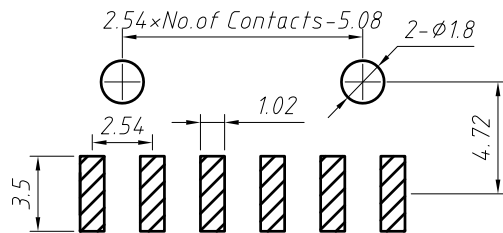
W=With Post

Order Information:
L-KLS1-207A-1-XX-PA×PC×PB-G0-W-R

L: RoHS
Pin Header Series
207A: 2.54mm
Per Row: Single layer
Pin: No. of Pins (1×40)
Size: PA×PC×PB
Plating:
G0=Gold Flash G1=1u" Gold G10=10u" Gold
G15=15u" Gold G30=30u" Gold
Post: W=With Post N=W/O Post
Packing:
0=PE Bag A=Tray T=Tube
P=Tube+Cap R=Reel+Cap

Dimension antitheses list (mm)

ITEM	PA	PB	PC	Plastic Height
Standard	6.00	1.27	4.80	2.50
Nonstandard	---	---	---	---



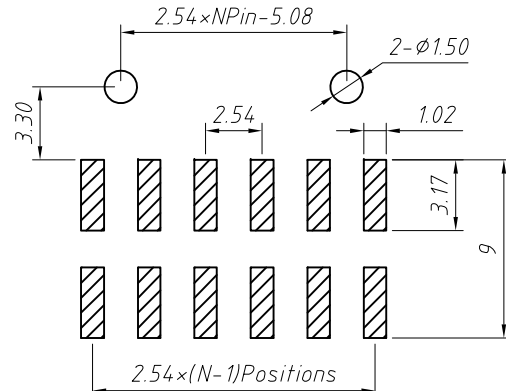
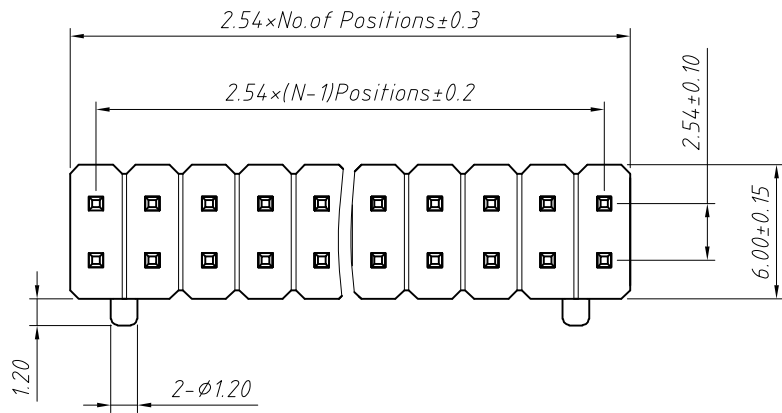
Recommended P.C.B Layout (Top VIEW)
(PCB BOARD TOLERANCE ± 0.05)

ANGLE TOLERANCE	PROJECTION	Description:
±3°		2.54x2.5Pin Header Single layer, 1×N Pin horizontal SMT
GENERAL TOLERANCE	UNITS	mm
x.x ±0.30	SHEET SIZE	A4
x.xx ±0.20	Draw:	Daniel 2018-07-10
x.xxx ±0.10	Check:	Daniel 2018-07-10



NingBo KLS ELECTRONIC CO.,L TD.

RoHS Compliance

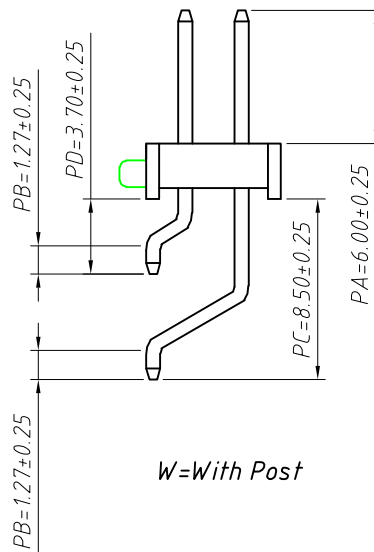
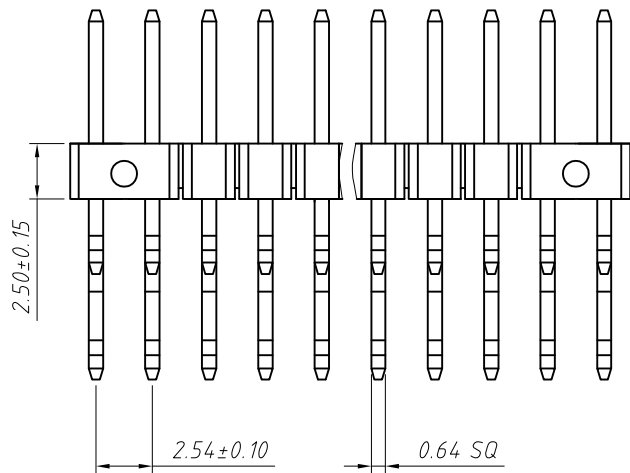


Recommended P.C.B Layout (Top VIEW)
(PCB BOARD TOLERANCE ± 0.05)

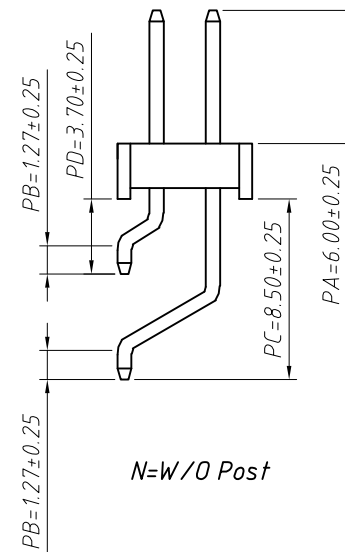
Order Information:

L-KLS1-207A-2-XX-PA×PC×PD×PB-G0-W-R

- L: RoHS
- Pin Header Series: 207A:2.54mm
- Per Row: Double layer
- Pin: No. of Pins (02~80)
- Size: PA×PC×PD×PB
- Plating:
 - G0=Gold Flash G1=1u" Gold G10=10u" Gold
 - G15=15u" Gold G30=30u" Gold
- Post: W=With Post N=W/O Post
- Packing:
 - 0=PE Bag A=Tray T=Tube
 - P=Tube+Cap R=Reel+Cap



W=With Post



N=W/O Post

Material:
Standard: PA6T
Contact: Brass
Insulator: Polyester, UL 94V-0

Electrical Characteristics:
Rated Current: 3AMP
Contact Resistance: 20mΩ Max
Withstand Voltage: 1000V AC/DC
Insulator Resistance: 1000MΩ Min

Mechanical
Operating Temperature: -40°C ~ +105°C

Dimension antitheses list (mm)					
ITEM	PA	PB	PC	PD	Plastic Height
Standard	6.00	1.27	8.50	3.70	2.50
Nonstandard	---	---	---	---	---

ANGLE TOLERANCE	PROJECTION	Description:
±3°		2.54x2.5Pin Header Double layer, 2xN Pin horizontal SMT
GENERAL TOLERANCE	UNITS	mm
x.x ±0.30	SHEET SIZE	A4
x.xx ±0.20	Draw:	Daniel 2018-07-10
x.xxx ±0.10	Check:	Daniel 2018-07-10



NingBo KLS ELECTRONIC CO.,L TD.