

SPECIFICATION

Device Name : SILICON DIODE

Type Name : ESAE92-03R

Spec. No. : MS5D4270

This material and the information herein is the property of Fuji Electric Co., Ltd. They shall be neither reproduced, copied, lent, or disclosed in any way whatsoever for the use of any third party nor used for the manufacturing purposes without the express written consent of Fuji Electric Co., Ltd.

	DATE	NAME	APPROVED	Fuji Electric Co., Ltd.		
DRAWN	Oct.-07-'14	<i>M. Shinose</i>	<i>J.</i> <i>Tada</i>	DWG. NO.	MS5D4270	
CHECKED	Oct.-07-'14	<i>T. Watanabe</i>				1/12
CHECKED	Oct.-07-'14	<i>J. Hasegawa</i>				

Revised Records

Date	Classi- fication	Ind.	Content	Applied date	Drawn	Checked	Approved
Oct.-07 -2014	Enactment	—	_____	Issued date	<i>M. Echinoel</i>	<i>T. Watabe</i> <i>J. Hasuma</i>	<i>G. Tada</i>

This material and the information herein is the property of Fuji Electric Co., Ltd. They shall be neither reproduced, copied, lent, or disclosed in any way whatsoever for the use of any third party nor used for the manufacturing purposes without the express written consent of Fuji Electric Co., Ltd.

1. SCOPE

This specification provides the ratings and the test requirement for FUJI SILICON DIODE ESAE92-03RQ-P.

2. TYPE NAME, ORDERING TYPE NAME, COUNTRY CODE, PACKAGING ASSEMBLY LOCATION

Type name	Ordering type name	Country code	Packaging assembly location
ESAE92-03RQ-P	ESAE92-03RQ-P	P	Philippines

3. TYPE NAME, OUT VIEW-MARKING, MOLDING RESIN, CHARACTERISTICS

Ordering type name	Package type	Out view-Marking	Molding resin	Characteristics
ESAE92-03RQ-P	TO-3P	Page 9/12	UL:V-0	Page 10/12~12/12

Bar code label is EIAJ C-3 specification. Indispensable description items are shown as below.

- (1) Type name (2) Production code (3) Quantity
(4) Lot No.(Date code) (5) Company code

4. RATINGS

4.1 MAXIMUM RATINGS (at Ta=25°C unless otherwise specified.)

Item	Symbol	Conditions	Ratings	Units
Repetitive peak reverse voltage	V_{RRM}		300	V
Average forward current	I_o	50Hz Sine wave duty =1/2 Tc=99°C	30 *	A
Non-repetitive forward surge current **	I_{FSM}	Sine wave, 10ms 1shot	115	A
Operating junction temperature	Tj		150	°C
Storage temperature	Tstg		-55~+150	°C

* Out put current of center tap full wave connection.
**Rating per element

4.2 ELECTRICAL CHARACTERISTICS (at Ta=25°C unless otherwise specified.)

Item	Symbol	Conditions	Min.	Max.	Units
Forward voltage ***	V_F	$I_F = 15 A$	0.85	1.20	V
Reverse current ***	I_R	$V_R = V_{RRM}$	-	0.3	mA
Reverse recovery time ***	Trr	$I_F=0.1A, I_R=0.2A, I_{rec}=0.05A$	10	40	ns
Thermal resistance	Rth(j-c)	Junction to case	-	1.2	°C/W

*** Rating per element

4.3 MECHANICAL CHARACTERISTICS

Mounting torque	Recommended torque	0.4~0.6	N·m
Approximate mass		5.5	g

Fuji Electric Co.,Ltd.

DWG.NO.

MS5D4270

3/12

5. TEST AND INSPECTION

5.1 STANDARD TEST CONDITION

Standard test condition is Ta=25°C, 65%R.H.

If judgment is no doubt, the test condition is possible to test in normal condition

Ta=5~35°C、48~85%R.H.

5.2 STRUCTURE INSPECTION

It inspect with eye and measure, Item 3 shall be satisfied.

5.3 FORWARD AND REVERSE CHARACTERISTICS

It inspect on the standard condition, Item 4.2 shall be satisfied.

5.4 TEST

	Test No.	Test items	Testing methods and conditions	Reference standard EIAJ ED4701	Sampling number	Acceptance number
Mechanical test	1	Terminal strength (Tensile)	Pull force : 25N Force maintaining duration : 10±1s	EIAJ ED4701/401 method 1	5	(0 : 1)
	2	Terminal strength (Bending)	Load force : 10N Number of times : 2times(90deg./time)	EIAJ ED4701/401 method 3	5	
	3	Mounting strength	Screwing torque value:(M3) : 50±10N·cm	EIAJ ED4701/402 method 2	5	
	4	Vibration	Frequency : 100Hz to 2kHz Acceleration : 200m/s ² Sweeping time : 4min./1 cycle 4times for each X, Y&Z directions.	EIAJ ED4701/403 test code D	5	
	5	Shock	Peak amplitude : 15km/s ² Duration time : 0.5ms 3times for each X, Y&Z directions.	EIAJ ED4701/404 test code D	5	
	6	Solderability 1	Solder : Sn-37Pb Solder temp. : 235±5°C Immersion time : 5±0.5s Apply to flux	EIAJ ED4701/303 test code A	5	
		Solderability 2	Solder : Sn-3Ag-0.5Cu Solder temp. : 245±5°C Immersion time : 5±0.5s Apply to flux	—	5	
7	Resistance to soldering heat	Solder temp. : 260±5°C Immersion time : 10±1s Number of times : 1time	EIAJ ED4701/302 test code A	5		

This material and the information herein is the property of Fuji Electric Co.,Ltd. They shall be neither reproduced, copied, lent, or disclosed in any way whatsoever for the use of any third party nor used for the manufacturing purposes without the express written consent of Fuji Electric Co.,Ltd.

This material and the information herein is the property of Fuji Electric Co.,Ltd. They shall be neither reproduced, copied, lent, or disclosed in any way whatsoever for the use of any third party nor used for the manufacturing purposes without the express written consent of Fuji Electric Co.,Ltd.

	Test No.	Test items	Testing methods and conditions	Reference standard EIAJ ED4701	Sampling number	Acceptance number
Endurance test	1	High temp. storage	Temperature : Tstg max Test duration : 1000h	EIAJ ED4701/201	22	(0 : 1)
	2	Low temp. storage	Temperature : Tstg min Test duration : 1000h	EIAJ ED4701/202	22	
	3	Temperature humidity storage	Temperature : $85 \pm 2^\circ\text{C}$ Relative humidity : $85 \pm 5\%$ Test duration : 1000h	EIAJ ED4701/103 test code C	22	
	4	Temperature humidity bias	Temperature : $85 \pm 2^\circ\text{C}$ Relative humidity : $85 \pm 5\%$ Bias voltage : $V_{RRM} \times 0.8$ Test duration : 1000h	EIAJ ED4701/102 test code C	22	
	5	Unsaturated pressurized vapor	Temperature : $130 \pm 2^\circ\text{C}$ Relative humidity : $85 \pm 5\%$ Vapor pressure : 230kPa Test duration : 48h	EIAJ ED4701/102 test code F	22	
	6	Temperature cycle	High temp. side : Tstg max Room temp. : $5 \sim 35^\circ\text{C}$ Low temp. side : Tstg min Duration time : HT 30min, RT 5min LT 30min Number of cycles : 100 cycles	EIAJ ED4701/105	22	
	7	Thermal shock	Fluid : pure water(running water) High temp. side : $100+0/-5^\circ\text{C}$ Low temp. side : $0+5/-0^\circ\text{C}$ Duration time : HT 5min, LT 5min Number of cycles : 100 cycles	EIAJ ED4701/307 test code A	22	
	8	Intermittent operating life	$T_j = T_{jmax} \sim 50^\circ\text{C}$ 3min ON, 3min OFF Number of cycles : 10000cycles	EIAJ ED4701/106	22	
	9	High temp. reverse bias	Temperature : $T_a = 100^\circ\text{C}$ Bias voltage : $V_R = V_{RRM}$ DC Test duration : 1000h	EIAJ ED4701/101	22	

Failure criteria	$I_R \leq \text{USL} \times 5$
	$V_F \leq \text{USL} \times 1.1$

USL : Upper specification limit

6. CAUTIONS

- Although Fuji Electric is continually improving product quality and reliability, a small percentage of semiconductor products may become faulty. When using Fuji Electric semiconductor products in your equipment, you are requested to take adequate safety measures to prevent the equipment from causing physical injury, fire, or other problem in case any of the products fail. It is recommended to make your design fail-safe, flame retardant, and free of malfunction.
- The products described in this specification are intended for use in the following electronic and electrical equipment which has normal reliability requirements.
 - Computers • OA equipment • Communications equipment (Terminal devices)
 - Measurement equipment • Machine tools • AV equipment
 - Electrical home appliances • Personal equipment • Industrial robots etc.
- The products described in this specification are not designed or manufactured to be used in equipment or systems used under life-threatening situations. If you are considering using these products in the equipment listed below, first check the system construction and required reliability, and take adequate safety measures such as a backup system to prevent the equipment from malfunctioning.
 - Transportation equipment (automobiles, trains, ships, etc.)
 - Backbone network equipment • Traffic-signal control equipment
 - Gas alarms, leakage gas auto breakers • Submarine repeater equipment
 - Burglar alarms, fire alarms, emergency equipment • Medical equipment
 - Nuclear control equipment etc.
- Do not use the products in this specification for equipment requiring strict reliability such as (but not limited to):
 - Aerospace equipment • Aeronautical equipment

7. WARNINGS

- The Diodes should be used in products within their absolute maximum rating (voltage, current, temperature, etc.). The diodes may be destroyed if used beyond the rating.
- The equipment containing Diodes should have adequate fuses or circuit breakers to prevent the equipment from causing secondary destruction (ex. fire, explosion etc...).
- Use the Diodes within their reliability and lifetime under certain environments or conditions. The Diodes may fail before the target lifetime of your products if used under certain reliability conditions.
- You must design the Diodes to be operated within the specified maximum ratings (voltage, current, temperature, etc.) to prevent possible failure or destruction of devices.
- Consider the possible temperature rise not only for the junction and case, but also for the outer leads.
- Do not directly touch the leads or package of the Diodes while power is supplied or during operation, to avoid electric shock and burns.
- The Diodes are made of incombustible material. However, if a Diode fails, it may emit smoke or flame. Also, operating the Diodes near any flammable place or material may cause the Diodes to emit smoke or flame in case the Diodes become even hotter during operation. Design the arrangement to prevent the spread of fire.
- The Diodes should not used in an environment in the presence of acid, organic matter, or corrosive gas. (hydrogen sulfide, sulfurous acid gas.)
- The Diodes should not used in an irradiated field since they are not radiation proof.
- In the high-temperature region, self-heating is more than capability of heat radiation. Therefore, it may lead to thermal runaway. When actually use it, please carry out evaluation by the real system and consider the worst-case condition of heat dissipation. Moreover, please make a safety design which fully took the margins for thermal runaway and the maximum junction temperature rating.

Fuji Electric Co.,Ltd.	DWG.NO.	MS5D4270	6/12				
------------------------	---------	----------	------	--	--	--	--

INSTALLATION

- Soldering involves temperatures which exceed the device storage temperature rating. To avoid device damage and to ensure reliability, observe the following guidelines from the quality assurance standard.

Solder temperature and duration

Method	Solder temperature	Duration
Flow	260±5°C	10±1sec
Soldering iron	350±10°C	3.5±0.5sec

- The immersion depth of the lead should basically be up to the lead stopper and the distance should be a maximum of 1.5mm from the device.
- When flow-soldering, be careful to avoid immersing the package in the solder bath.
- Refer to the following torque reference When mounting the device on a heat sink. Excess torque applied to the mounting screw causes damage to the device and weak torque will increase the thermal resistance, both of which conditions may destroy the device.

Recommended tightening torque

Package style	Screw	Recommended tightening torque
TO-3P	M3	0.4~0.6N·m

- The heat sink should have a flatness within ±30µm and roughness within 10µm. Also, keep the tightening torque within the limits of this specification.
- Improper handling may cause isolation breakdown leading to a critical accident.
- We recommend the use of thermal compound to optimize the efficiency of heat radiation. It is important to evenly apply the compound and to eliminate any air voids.

STORAGE

- The Diodes must be stored at a standard temperature of 5 to 35°C and relative humidity of 45 to 75%.
- The Diodes should not be subjected to rapid changes in temperature to avoid condensation on the surface of the Diodes. Therefore, store the Diodes in a place where the temperature is steady.
- The Diodes should not be stored on top of each other, since this may cause excessive external force on the case.
- The Diodes should not be stored with the lead terminals remaining unprocessed. Rust may cause presoldered connections to go fail during later processing.
- The Diodes should be stored in antistatic containers or shipping bags.

8. APPENDIX

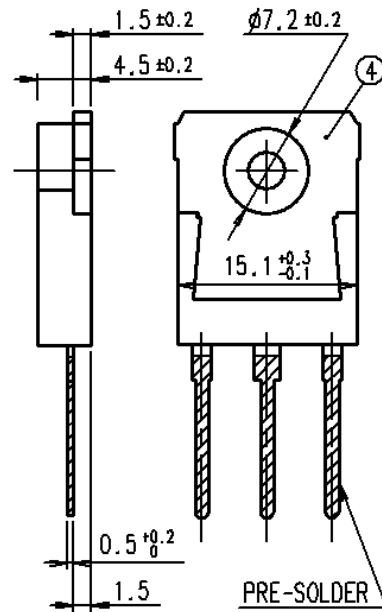
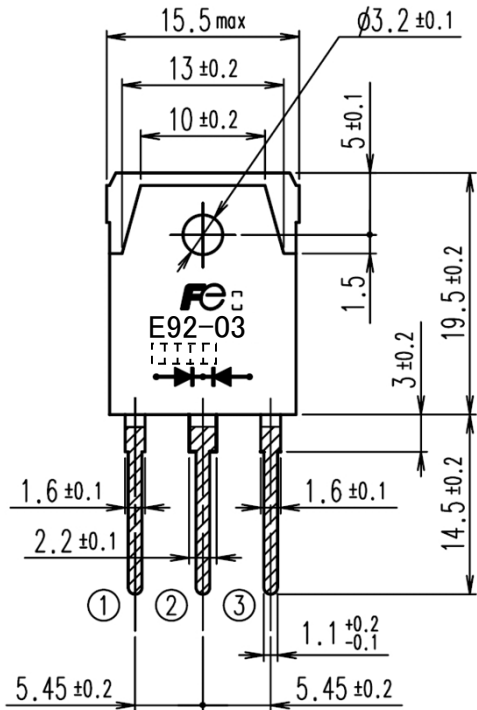
- This products does not contain PBBs (Polybrominated Biphenyl) or PBDEs (Polybrominated Diphenyl Ether) , substances.
- This products does not contain Class-I ODS and Class-II ODS substances set force by 'Clean Air Act of US' law.

- If you have any questions about any part of this specification, please contact Fuji Electric or its sales agent before using the product.
- Neither Fuji nor its agents shall be held liable for any injury caused by using the products not in accordance with the instructions.
- This specification does not confer any industrial property rights or other rights, nor constitute a license for such rights.

This material and the information herein is the property of Fuji Electric Co.,Ltd. They shall be neither reproduced, copied, lent, or disclosed in any way whatsoever for the use of any third party nor used for the manufacturing purposes without the express written consent of Fuji Electric Co.,Ltd.

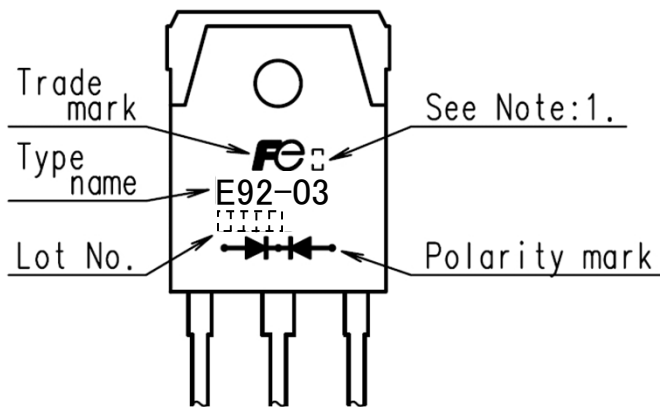
TYPE : ESAE92-03RQ-P

OUT VIEW

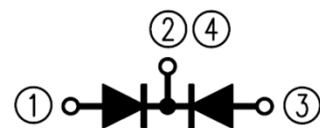


Sn-Cu (Pb < 1000ppm)

(a) MARKING



CONNECTION

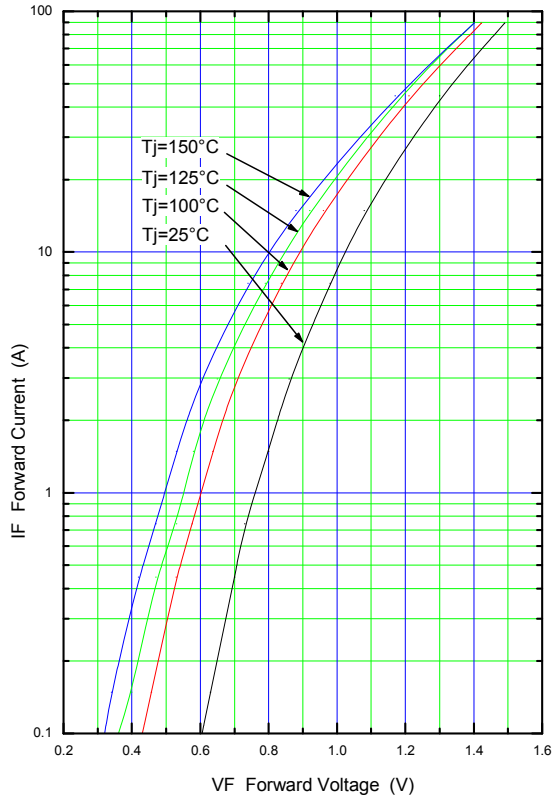


Note:1.
Country of origin mark.
No mark is Made in JAPAN.
『P』 is Made in PHILIPPINES.

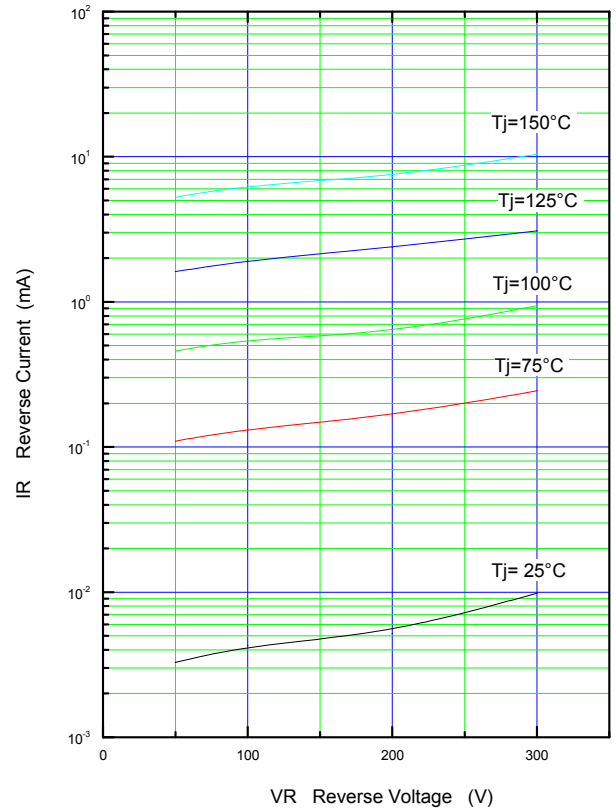
This material and the information herein is the property of Fuji Electric Co.,Ltd. They shall be neither reproduced, copied, lent, or disclosed in any way whatsoever for the use of any third party nor used for the manufacturing purposes without the express written consent of Fuji Electric Co.,Ltd.

This material and the information herein is the property of Fuji Electric Co., Ltd. They shall be neither reproduced, copied, lent, or disclosed in any way whatsoever for the use of any third party nor used for the manufacturing purposes without the express written consent of Fuji Electric Co., Ltd.

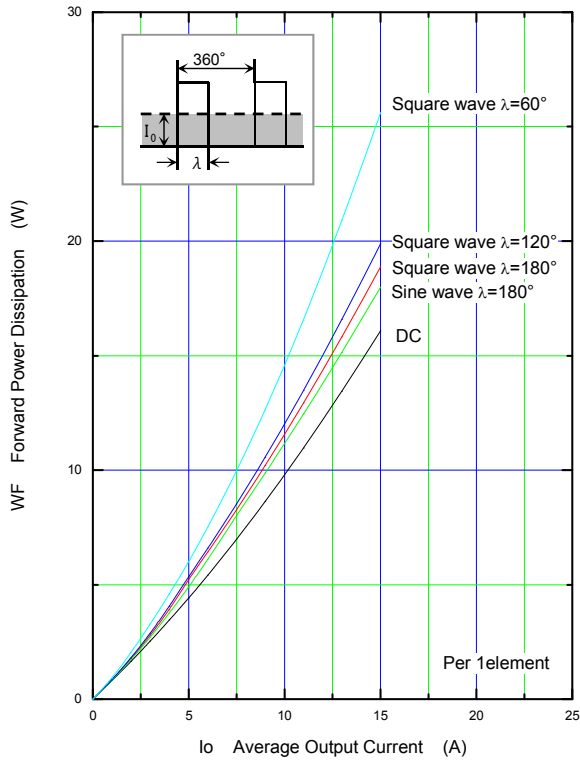
Forward Characteristic (typ.)



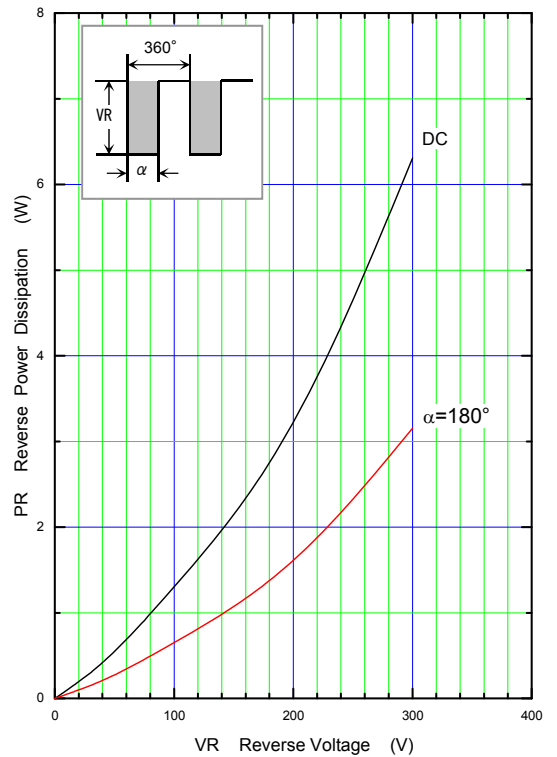
Reverse Characteristic (typ.)



Forward Power Dissipation (max.)

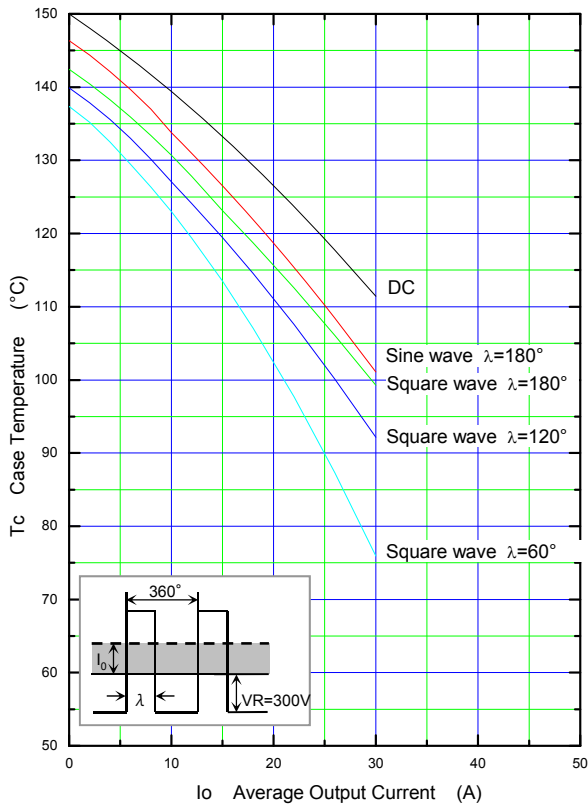


Reverse Power Dissipation (max.)



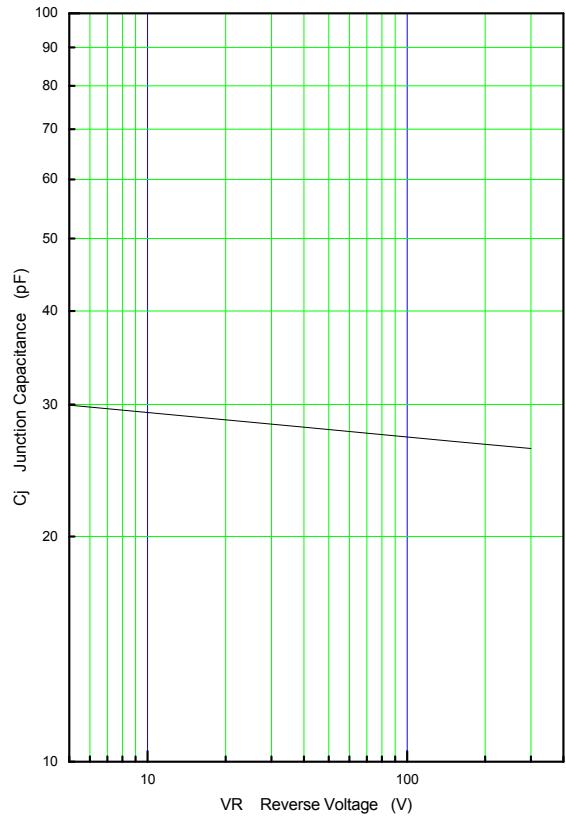
This material and the information herein is the property of Fuji Electric Co.,Ltd. They shall be neither reproduced, copied, lent, or disclosed in any way whatsoever for the use of any third party nor used for the manufacturing purposes without the express written consent of Fuji Electric Co.,Ltd.

Current Derating (I_o - T_c) (max.)

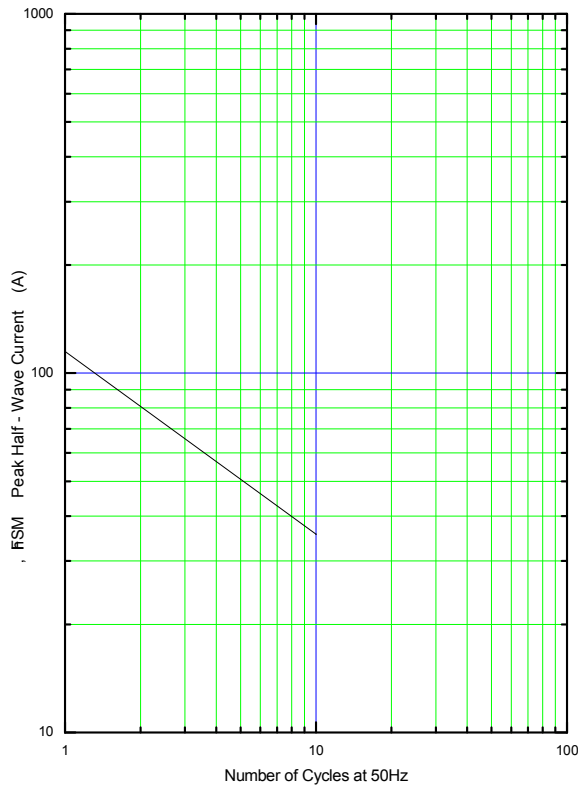


λ : Conduction angle of forward current for each rectifier element
 I_o : Output current of center-tap full wave connection

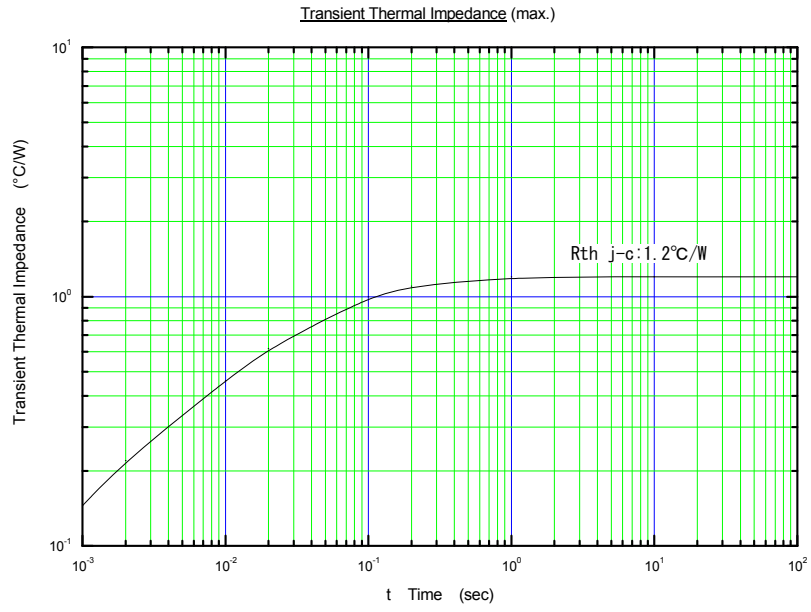
Junction Capacitance Characteristic (typ.)



Surge Capability (max.)



This material and the information herein is the property of Fuji Electric Co.,Ltd. They shall be neither reproduced, copied, lent, or disclosed in any way whatsoever for the use of any third party nor used for the manufacturing purposes without the express written consent of Fuji Electric Co.,Ltd.



Fuji Electric Co.,Ltd.

DWG.NO.

MS5D4270

12/12

H04-004-02b