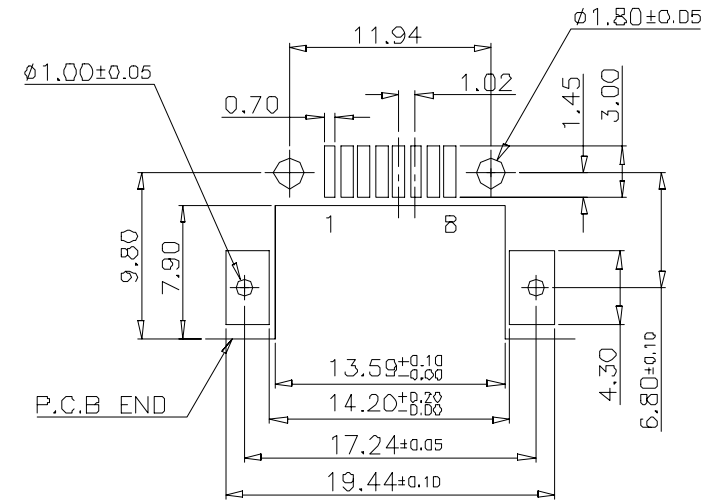
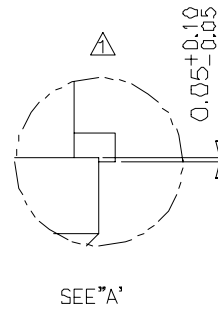
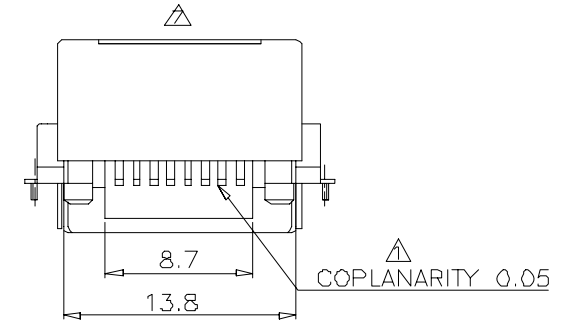
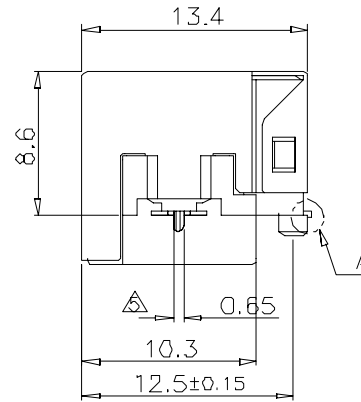
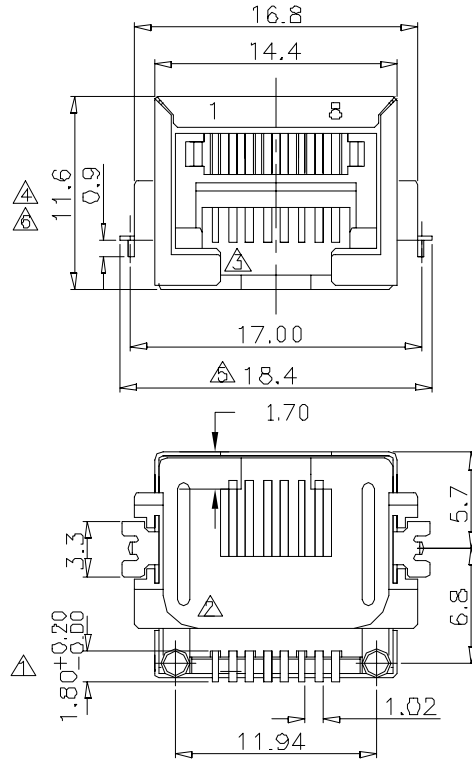


RoHS Compliant



P.C.B LAYOUT(TOP VIEW)

NOTES:

ELECTRICAL:

1. VOLTAGE RATING : 125 VAC RMS.
2. CURRENT RATING : 1.5 AMP.
3. CONTACT RESISTANCE : 35 MILLIOHMS MAX.
4. INSULATION RESISTANCE: 1000 MEGOHMS MIN @ 500 VDC.
5. DIELECTRIC STRENGTH : 1000 VAC RMS 60Hz, 1MIN.

MECHANICAL:

1. SHIELD MATERIAL : BRASS, t=0.25mm.
1. HOUSING MATERIAL : NYLON FR52(HIGH TEMPERATURE) UL94V-0
2. CONTACT MATERIAL : PHOSPHOR BRONZE t=0.35mm.
3. PLATING : 1: CONTACT AREA- SELECTIVE GOLD PLATING.
2: TAILS- 150u" TIN-LEAD MIN OVER 50u" NICKEL.
4. OPERATING LIFE : 750 CYCLES MIN.
5. PCB RETENTION POST-SOLDER: 1D LBS MIN.

ENVIRONMENTAL:

1. STORAGE : -40°C TO +85°C.
 2. OPERATION: -40°C TO +85°C.
- MATES WITH MODULAR PLUG CONFORMING TO FCC PART 68, SUBPART F.

	NOT SCALED DRAWING	TOLERANCE UNLESS OTHERWISE NOTICE	INCH	MM	DR. Nina	DATE MAY-06-12
HL-SMT-全包8.6	THIRD ANGLE PROJECTION	LINEAR MM INCH	.00±0.01 .000±0.005 .0000±0.002	.00±0.25 .000±0.13 .0000±0.05	CK'D Jack	MAY-06-12
L-KLS12-SMT08-8P8C-01	MM INCH	ANGLE+0° 30'	RADIL	+0.45 -0.15	APP'D Jack	MAY-06-12

KLS ELECTRONIC CO., LTD