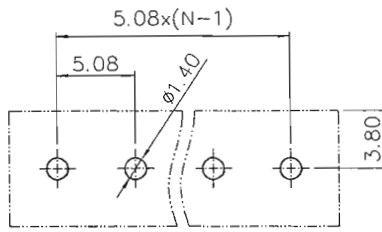
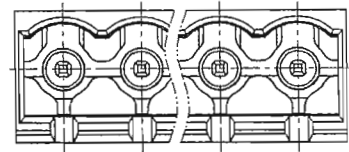
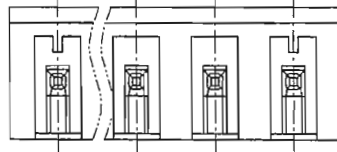
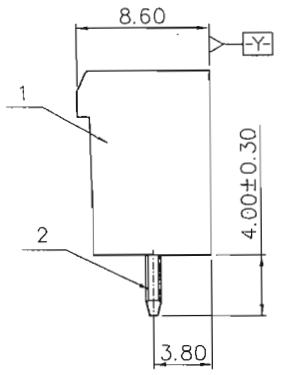
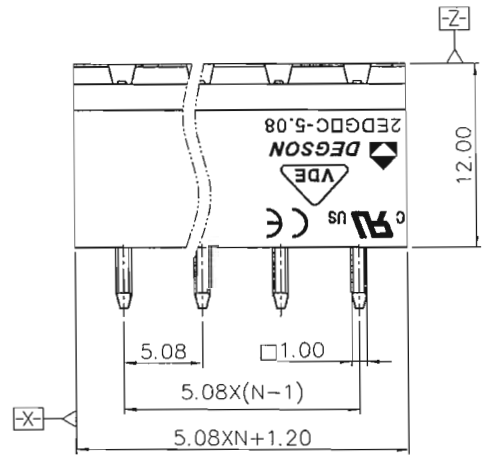


REVISION RECORD				
REV	ECN	DESCRIPTION	DRFT	DATE



PCB LAYOUT



NOTES1:

- UL Standard
- 1. Rated Voltage/Current : 300V / 15A
- 2. Withstanding Voltage : AC1600V/1Min.

IEC Standard

1. Pollution Degree	2
Overtoltage Category	III
Rate Impulse Voltage(KV)	4.0KV
Rate Voltage(V)	320V
Rate Current(A)	20A

NOTES2:

- 1. Dimension shall be interpreted per ASME Y14.5-2009
- 2. Pitch : 5.08mm, Poles : N=02~24P
- 3. Operating temperature: -40°C~+105°C
- 4. Undimensioned Tolerances:

Pitch Range In mm		Nominal Dimension Range In mm						±	∠
TO	Over	TO	Over	TO	Over	TO	Over	0.1/10	
6	10	10	24	30	60	100	150	<	
±0.15	±0.20	±0.30	±0.30	±0.50	±0.70	±1.00	±1.30	±2'	

5. RoHS Compliance



2	PIN	COPPER ALLOY	Sn Plated
1	HOUSING	PA66	UL94V-0
ITEM	NAME OF PART	MATERIAL	NOTES

DETACHED LISTS	PART NO.:	宁波高松电子有限公司 DEGSON ® NINGBO DEGSON ELECTRICAL CO., LTD		
	APPD: <i>Agan 10/14/15</i>	NAME: 2EDGVC-5.08-XXP-1Y-190A(H)		
	CHKD: <i>Xm 10/14/15</i>	TITLE: CUSTOMER DRAWING		
	DRFT: Yz 10/08/15	REV	TO	
	THIRD ANGLE PROJECTION	DRAWING NO.: 2EDGVC-5.08-C42	SHEET	1/1
	MM (INCH)	DO NOT SCALE DRAWING	SCALE	1:1