



## MI3225 SERIES ~ Multilayer Chip Suppressions /

### High Current Chip Beads



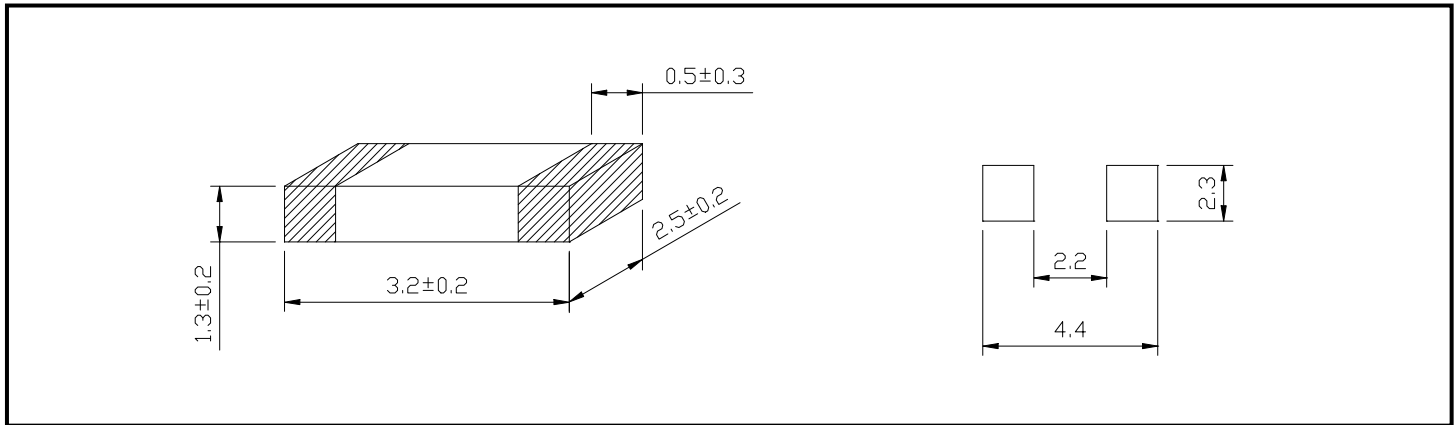
RoHS Compliant

#### PART NUMBERING SYSTEM

<u>MI</u>	<u>3225</u>	-	<u>600</u>	-	<u>3A</u>	-	<u>LF</u>
TYPE	DIMENSIONS		IMPEDANCE		DC CURRENT		LEAD FREE

#### SHAPES AND DIMENSIONS

UNIT : mm



#### SPECIFICATION TABLE

PART NUMBER	IMPEDANCE ( $\Omega$ )	DCR ( $\Omega$ )	IDC (A)
	at 100MHz	(Max.)	(Max.)
MI3225-520-3A-LF	$52 \pm 25\%$	0.030	3.0
MI3225-520-6A-LF	$52 \pm 25\%$	0.008	6.0
MI3225-600-3A-LF	$60 \pm 25\%$	0.030	3.0
MI3225-600-6A-LF	$60 \pm 25\%$	0.020	6.0
MI3225-102-2A-LF	$1000 \pm 25\%$	0.090	2.0

- Test equipment : Agilent/HP-4291A impedance analyzer or equipment .
- Operating temperature range  $-55^{\circ}\text{C}$  to  $+125^{\circ}\text{C}$  , Electrical specifications at  $25^{\circ}\text{C}$ .
- Packing : 7" reel, machine-ready ,embossed plastic tape ( 2,000 parts per full reel).

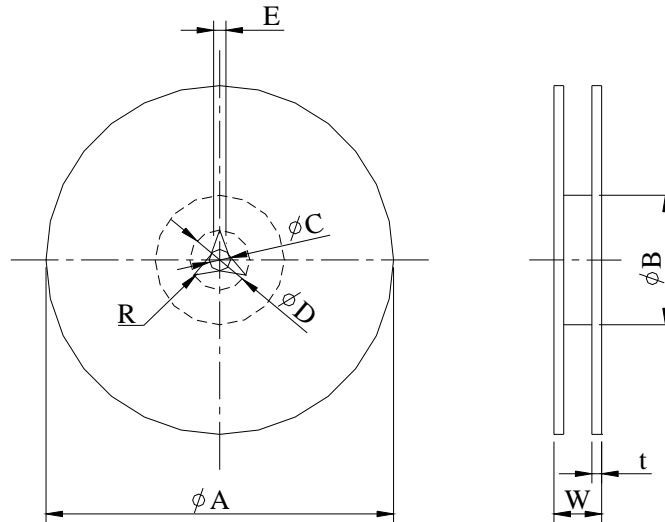


# MI3225 SERIES ~ Multilayer Chip Suppressions / High Current Chip Beads

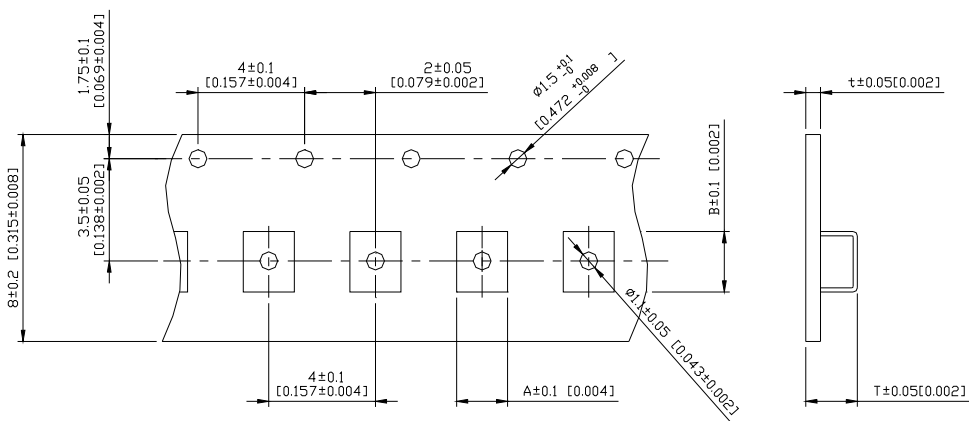


RoHS Compliant

## PACKAGING SPECIFICATION



	A	B	C	D	E	W8	W12	t	R
T( $\phi 178\text{mm}$ ) Reel	$\phi 178 \pm 2$	$\phi 60 \pm 1$	$\phi 13 \pm 0.8$	$\phi 21 \pm 0.8$	2	$10 \pm 1.5$	$14.5 \pm 1.5$	$1.27 \pm 0.2$	1



TYPE	A	B	T	t	T( $\phi 178\text{mm}$ )	T( $\phi 330\text{mm}$ )
3225	2.90	3.60	1.70	0.25	2000 pcs/reel	-