



MB1608 SERIES ~ Multilayer Chip Beads / Ferrite Chip Beads

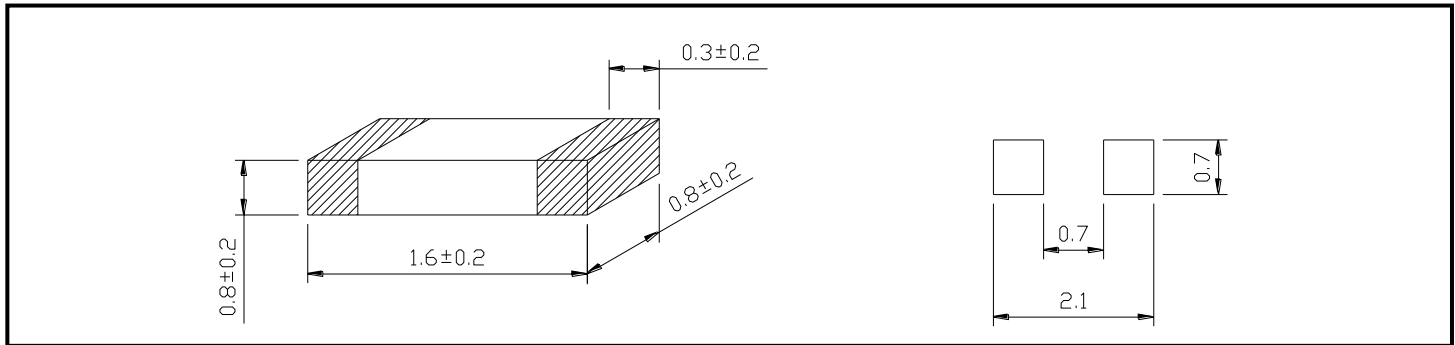


PART NUMBERING SYSTEM

MB	1608	—	121	—	LF
TYPE	DIMENSIONS		IMPEDANCE		LEAD FREE

SHAPES AND DIMENSIONS

UNIT : mm



SPECIFICATION TABLE

PART NUMBER	IMPEDANCE (Ω) at 100MHz	DCR (Ω) (max)	IDC (mA) (max)
MB1608-190-LF	19±25%	0.10	400
MB1608-310-LF	31±25%	0.10	400
MB1608-520-LF	52±25%	0.15	400
MB1608-600-LF	60±25%	0.15	400
MB1608-800-LF	80±25%	0.15	400
MB1608-101-LF	100±25%	0.15	400
MB1608-121-LF	120±25%	0.15	400
MB1608-151-LF	150±25%	0.15	400
MB1608-181-LF	180±25%	0.20	400
MB1608-201-LF	200±25%	0.20	400
MB1608-221-LF	220±25%	0.20	400
MB1608-301-LF	300±25%	0.30	400
MB1608-401-LF	400±25%	0.30	400
MB1608-451-LF	450±25%	0.30	400
MB1608-601-LF	600±25%	0.35	400
MB1608-751-LF	750±25%	0.35	400
MB1608-102-LF	1000±25%	0.55	300
MB1608-152-LF	1500±25%	0.60	200
MB1608-182-LF	1800±25%	1.00	100
MB1608-202-LF	2000±25%	1.00	50



MB1608 SERIES ~ Multilayer Chip Beads / Ferrite Chip Beads



IMPEDANCE vs FREQUENCY

