

4

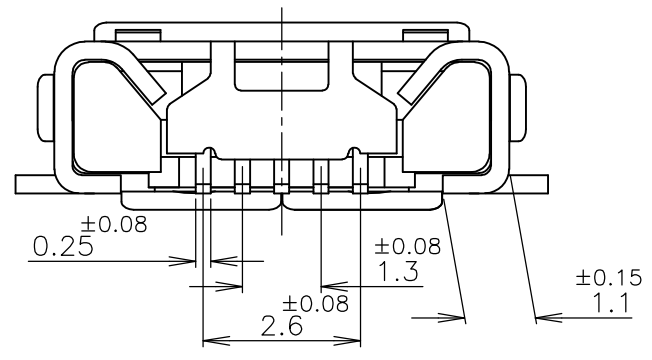
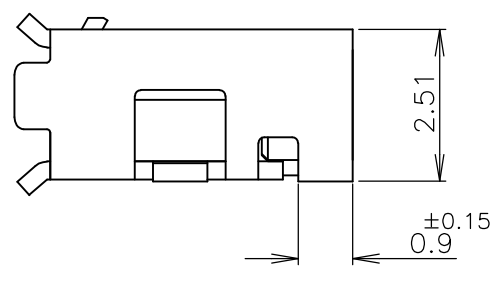
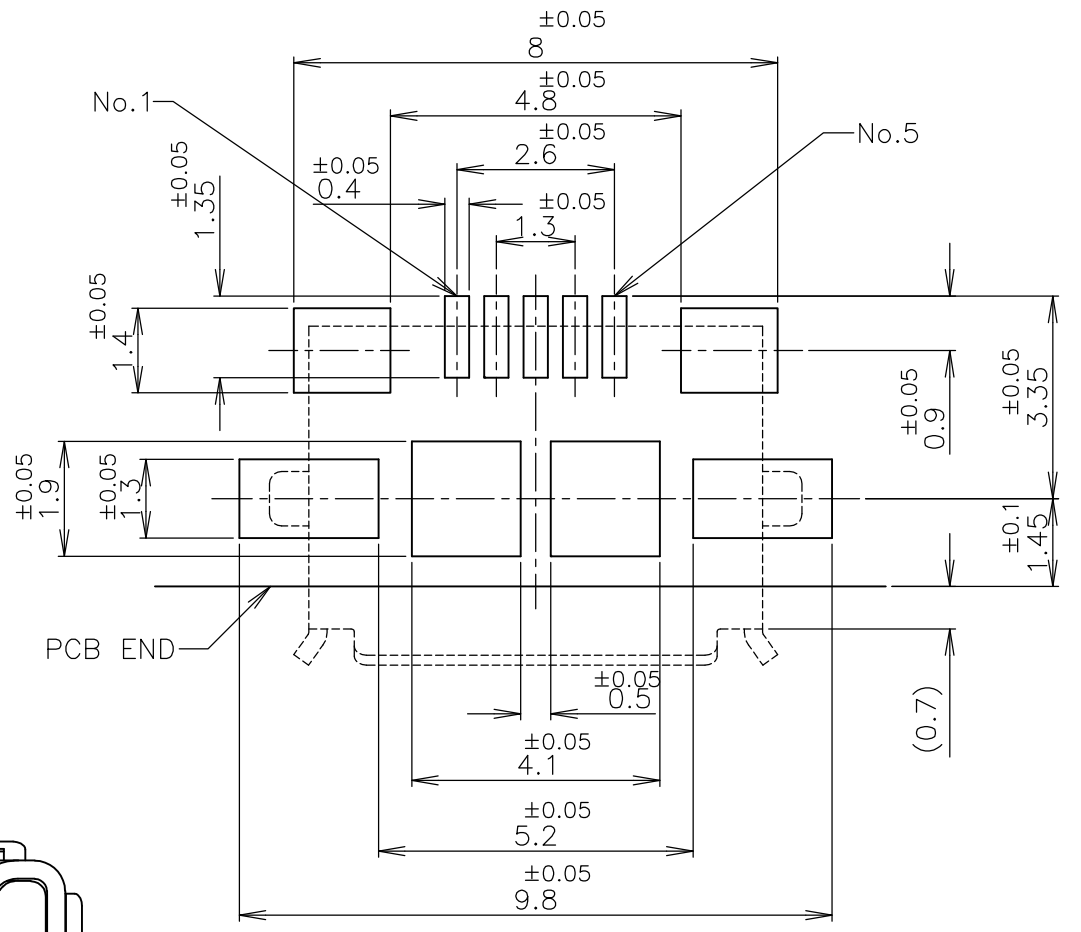
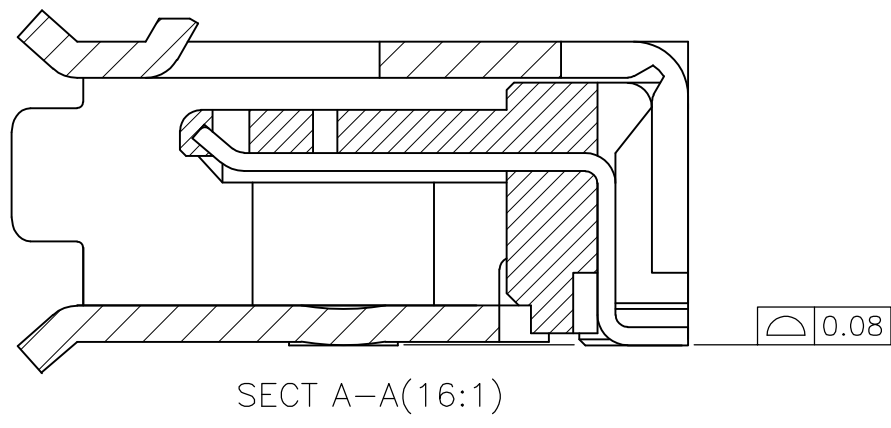
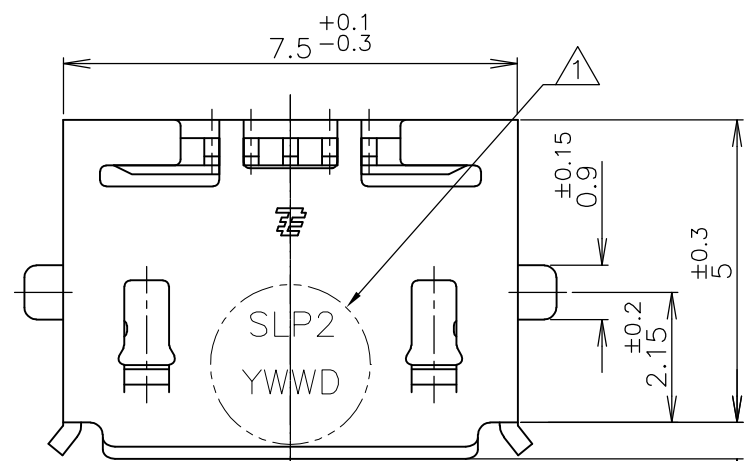
3

2

1

THIS DRAWING IS UNPUBLISHED. RELEASED FOR PUBLICATION JAN , 2007.  
 © COPYRIGHT 2007 By - ALL RIGHTS RESERVED.

LOC	DIST	REVISIONS 変更					
J	/	P	LTR	DESCRIPTION	DATE	DWN	APVD
		D2		REVISED PER ECO-15-009877	03AUG15	AP	JH



- 1. DATE CODE AND VERSION MARKING
- 2. OVERALL TOLERANCE: ±0.2
- 3. MATERIAL HOUSING : THERMOPLASTIC RESIN UL94V-0  
CONTACT : COPPER ALLOY  
SHELL : STAINLESS STEEL
- 4. FINISH CONTACT : Ni UNDER PL  
Au PL AT  
SHELL : Ni UNDER PL  
Sn PL

THIS DRAWING IS A CONTROLLED DOCUMENT.		DWN J.TSUJI 06AUG2007	<b>STE</b> TE Connectivity	
DIMENSIONS: 単位: 耗 MM		CHK T.KUSUHARA 07AUG2007		
TOLERANCES UNLESS OTHERWISE SPECIFIED: 一般公差		APVD T.KUSUHARA 07AUG2007	NAME 名称	
0 PLC ± - 1 PLC ± - 2 PLC ± - 3 PLC ± - 4 PLC ± - ANGLES ± 10		PRODUCT SPEC 製品規格 108-78434	MICRO USB RECEPTACLE STANDARD TYPE AB ASSY	
MATERIAL 材料		APPLICATION SPEC 取付適用規格	SIZE A3	CAGE CODE 00779
FINISH 仕上		WEIGHT	DRAWING NO 番号 C-1981584	
1981584-1		CUSTOMER DRAWING		RESTRICTED TO -
PART NUMBER		SCALE 尺度 8:1		SHEET 1 OF 2
				REV D2

4

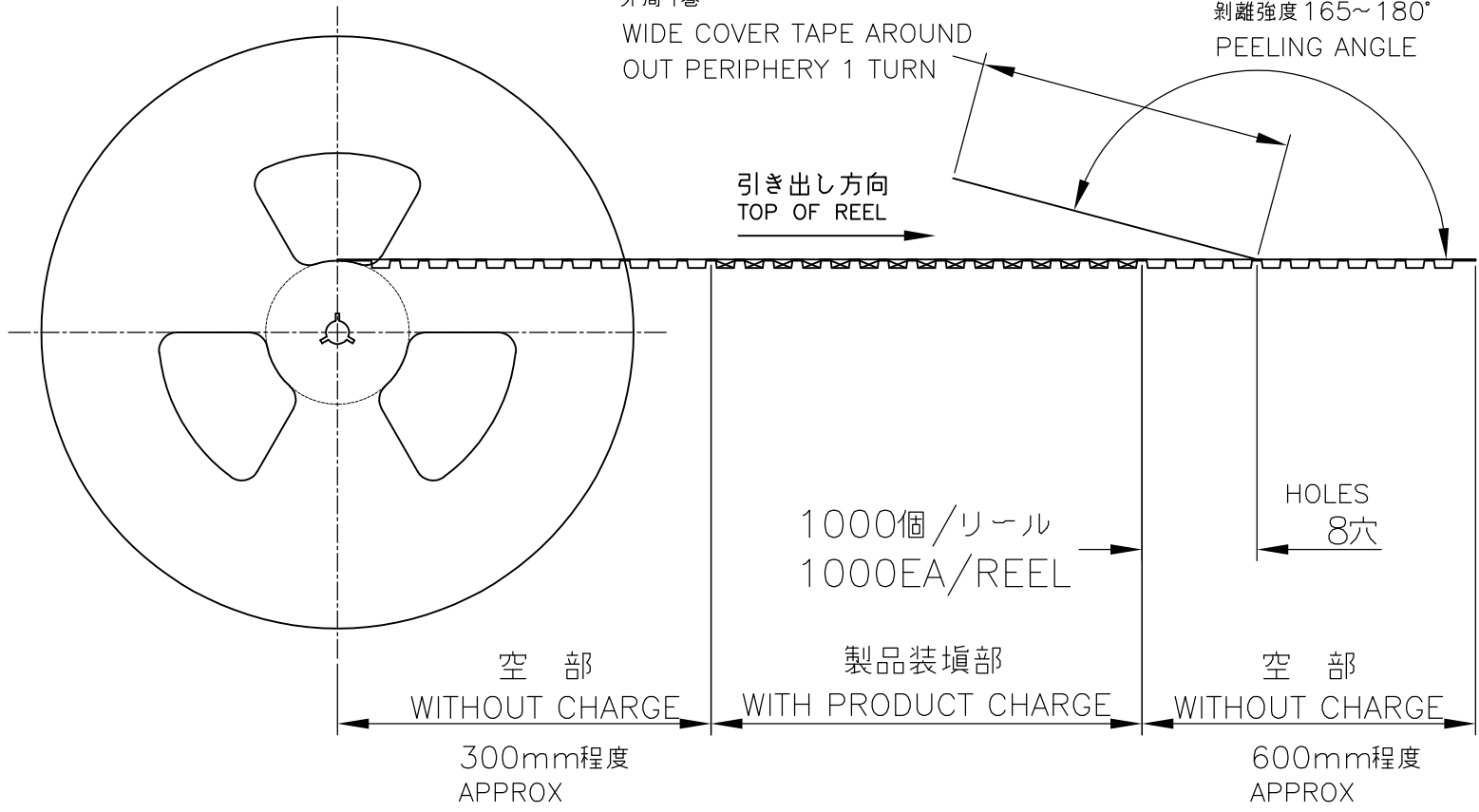
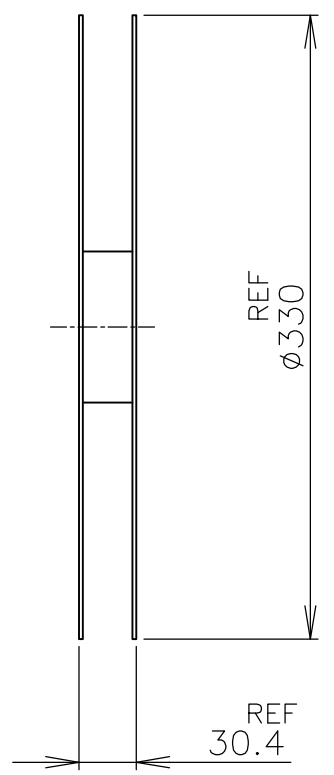
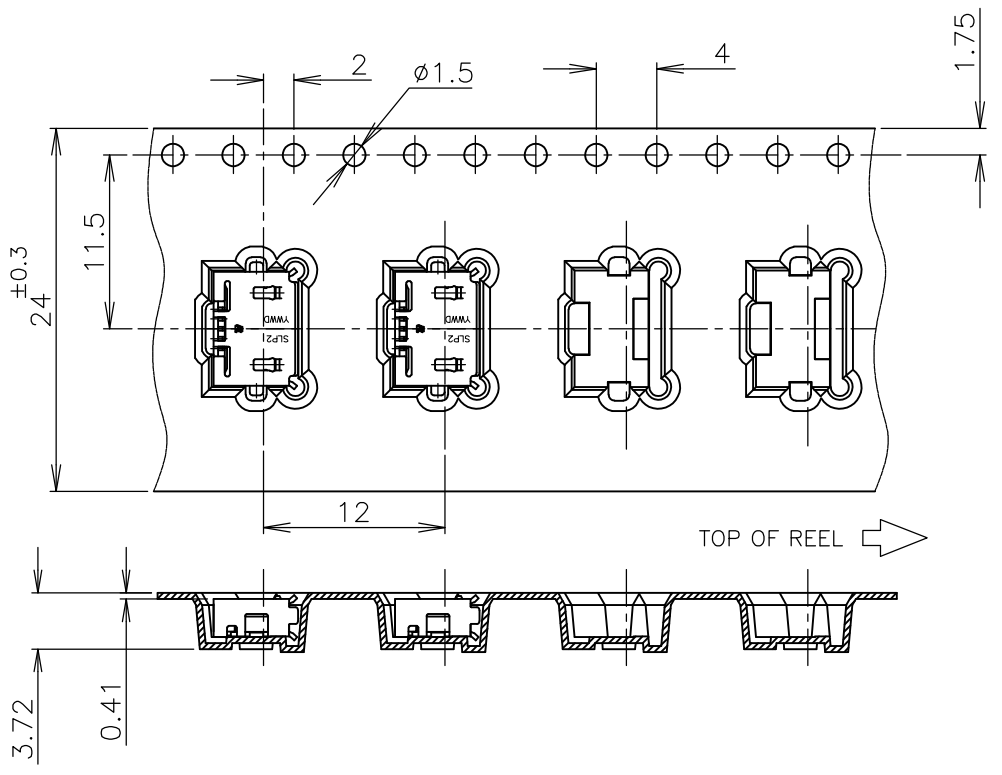
3

2

1

THIS DRAWING IS UNPUBLISHED. RELEASED FOR PUBLICATION JAN , 2007.  
 © COPYRIGHT 2007 By - ALL RIGHTS RESERVED.

LOC	DIST	REVISIONS					
J	/	P	LTR	DESCRIPTION	DATE	DWN	APVD
		-		SEE SHEET 1	-	-	-



カバートープリーダー部  
 外周1巻  
 WIDE COVER TAPE AROUND  
 OUT PERIPHERY 1 TURN

剥離強度 0.1-1.3N MAX(300±10mm/min)  
 PEELING STRENGTH  
 剥離強度 165~180°  
 PEELING ANGLE

THIS DRAWING IS A CONTROLLED DOCUMENT.		DWN	TE Connectivity		
DIMENSIONS: 単位: 耗 MM		CHK	NAME 名称		
TOLERANCES UNLESS OTHERWISE SPECIFIED: 一般公差		APVD	MICRO USB RECEPTACLE STANDARD TYPE AB ASSY		
0 PLC ±-		PRODUCT SPEC 製品規格	SIZE	CAGE CODE	DRAWING NO 番号
1 PLC ±-		APPLICATION SPEC 取付適用規格	A3	00779	G-1981584
2 PLC ±-		WEIGHT	RESTRICTED TO		
3 PLC ±-		CUSTOMER DRAWING			
4 PLC ±-		SCALE 尺度 2:1		SHEET 2 OF 2	
ANGLES ±-		REV D2			
MATERIAL 材料	FINISH 仕上				