



**Coilmaster Electronics Co., Ltd.**  
 9F-3 No.398, Huan Bei Rd. Chung Li City, Taoyuan 320, Taiwan  
 Tel : +886-3-422-8279 Fax : +886-3-422-8734

E-mail : [info@coilmaster.com.tw](mailto:info@coilmaster.com.tw)  
 Web Site : [www.coilmaster.com.tw](http://www.coilmaster.com.tw)

# MS2520LC SERIES ~ Wire Wound Ferrite Chip Inductor



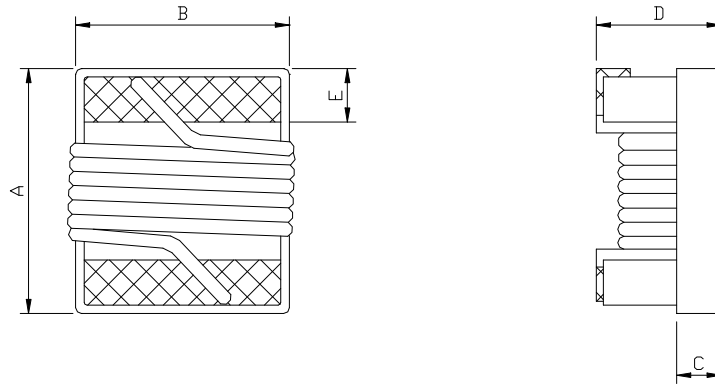
RoHS Compliant

## PART NUMBERING SYSTEM

<b>MS</b>	<b>2520LC</b>	—	<b>1R0K</b>	—	<b>LF</b>
TYPE	DIMENSIONS		INDUCTANCE		LEAD FREE

## SHAPES AND DIMENSIONS

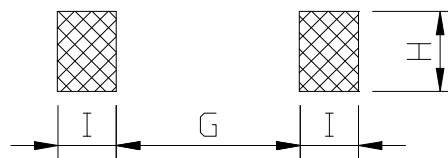
UNIT : mm



**A=2.9 Max. B=2.5 Max. C=1.2 Ref. D=2.1 Max. E=0.55±0.1**

## RECOMMENDED PATTERNS

UNIT : mm



**G=1.27 H=2.54 I=1.02**



## MS2520LC SERIES ~ Wire Wound Ferrite Chip Inductor



RoHS Compliant

### SPECIFICATION TABLE

PART NUMBER	INDUCTANCE (uH)	TOLERANCE	Q. Min.	SRF (MHz) Min.	DCR (Ω) (Max.)	Isat (mA) (Max.)	Irms (mA) (Typ.)
MS2520LC-R10□-LF	0.10@25MHz	J,K	35@25MHz	1500	0.05	3200	2700
MS2520LC-R22□-LF	0.22@25MHz	J,K	35@25MHz	800	0.15	2900	2400
MS2520LC-R39□-LF	0.39@25MHz	J,K	35@25MHz	460	0.2	2100	1800
MS2520LC-R47□-LF	0.47@25MHz	K	35@25MHz	460	0.20	2100	1800
MS2520LC-R56□-LF	0.56@25MHz	J,K	35@25MHz	360	0.26	1800	1500
MS2520LC-R68□-LF	0.68@25MHz	J,K	35@25MHz	400	0.3	1700	1500
MS2520LC-R82□-LF	0.82@25MHz	J,K	35@25MHz	360	0.35	1400	1200
MS2520LC-1R0□-LF	1.0@7.9MHz	K	32@7.9MHz	340	0.34	1700	1200
MS2520LC-1R2□-LF	1.2@7.9MHz	J,K	25@7.9MHz	300	0.25	1600	1100
MS2520LC-1R5□-LF	1.5@7.9MHz	J,K	32@7.9MHz	230	0.42	1200	1000
MS2520LC-1R8□-LF	1.8@7.9MHz	J,K	27@7.9MHz	180	0.45	1100	800
MS2520LC-2R2□-LF	2.2@7.9MHz	J,K	27@7.9MHz	140	0.50	1100	900
MS2520LC-2R7□-LF	2.7@7.9MHz	J,K	27@7.9MHz	130	0.55	1000	900
MS2520LC-3R3□-LF	3.3@7.9MHz	J,K	27@7.9MHz	125	0.60	1000	900
MS2520LC-3R9□-LF	3.9@7.9MHz	J,K	27@7.9MHz	100	0.80	990	800
MS2520LC-4R7□-LF	4.7@7.9MHz	J,K	30@7.9MHz	90	0.90	880	720
MS2520LC-5R6□-LF	5.6@7.9MHz	J,K	27@7.9MHz	60	1.00	850	720
MS2520LC-6R8□-LF	6.8@7.9MHz	J,K	27@7.9MHz	60	1.05	840	670
MS2520LC-8R2□-LF	8.2@7.9MHz	J,K	25@7.9MHz	55	1.20	810	640
MS2520LC-100□-LF	10@2.5MHz	J,K	23@2.5MHz	55	1.55	700	540
MS2520LC-120□-LF	12@2.5MHz	J,K	23@2.5MHz	36	2.10	580	460
MS2520LC-150□-LF	15@2.5MHz	J,K	23@2.5MHz	36	2.38	580	460
MS2520LC-180□-LF	18@2.5MHz	J,K	23@2.5MHz	32	2.50	520	410
MS2520LC-220□-LF	22@2.5MHz	J,K	23@2.5MHz	29	2.92	500	400
MS2520LC-270□-LF	27@2.5MHz	K	23@2.5MHz	22	3.70	450	300
MS2520LC-330□-LF	33@2.5MHz	J,K	23@2.5MHz	21	4.10	420	300
MS2520LC-390□-LF	39@2.5MHz	J,K	18@2.5MHz	15	5.50	340	270
MS2520LC-470□-LF	47@2.5MHz	J,K	23@2.5MHz	17	7.80	310	220
MS2520LC-680□-LF	68@2.5MHz	J,K	20@2.5MHz	9	11.50	220	180
MS2520LC-101□-LF	100@1MHz	J,K	13@1MHz	4	13.20	210	170
MS2520LC-151□-LF	150@1MHz	J,K	13@1MHz	3	22.50	170	160
MS2520LC-221□-LF	220@1MHz	J,K	13@1MHz	3	26.50	160	100
MS2520LC-331□-LF	330@1MHz	J,K	13@1MHz	2	32.50	130	90



**Coilmaster Electronics Co., Ltd.**  
9F-3 No.398, Huan Bei Rd. Chung Li City, Taoyuan 320, Taiwan  
Tel : +886-3-422-8279 Fax : +886-3-422-8734

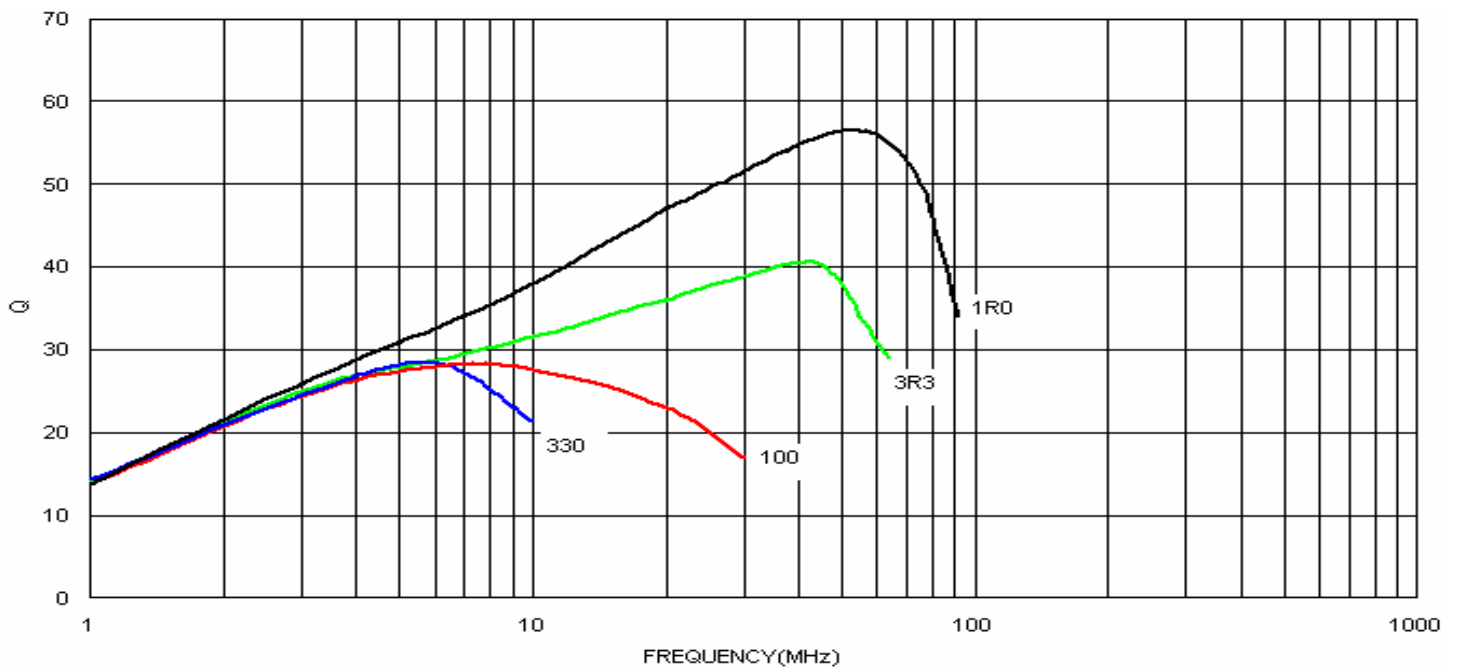
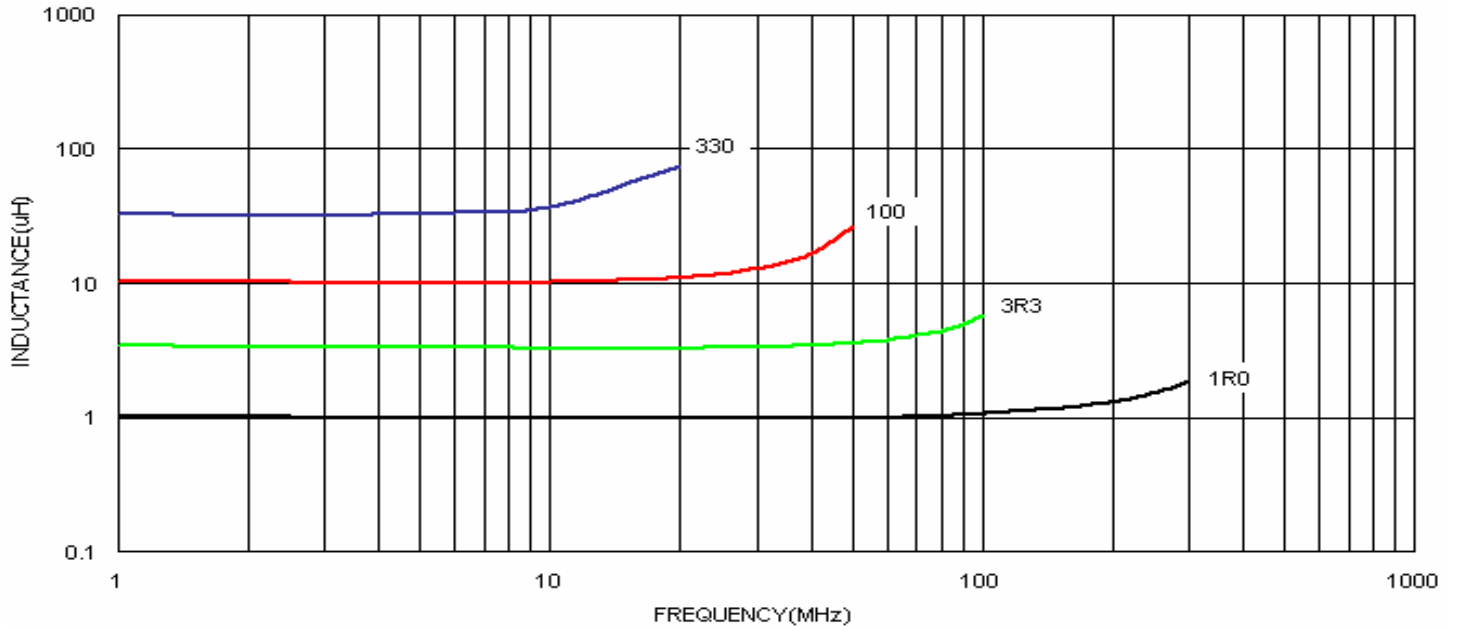
E-mail : [info@coilmaster.com.tw](mailto:info@coilmaster.com.tw)  
Web Site : [www.coilmaster.com.tw](http://www.coilmaster.com.tw)

# MS2520LC SERIES ~ Wire Wound Ferrite Chip Inductor



RoHS Compliant

## CURVE



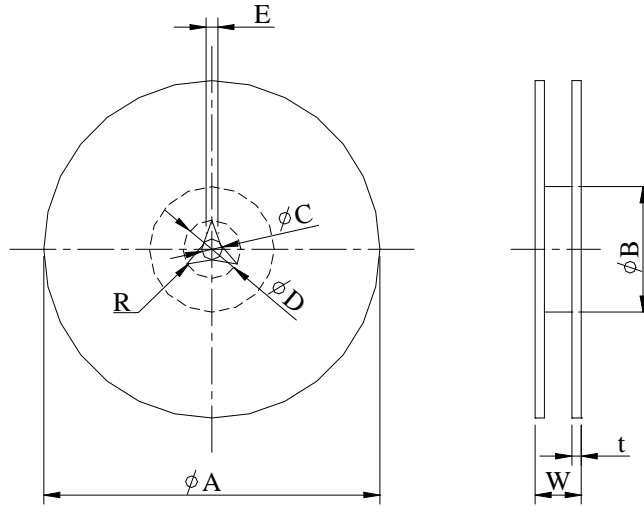


# MS2520LC SERIES ~ Wire Wound Ferrite Chip Inductor

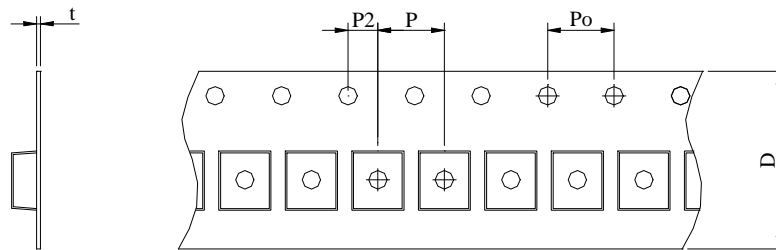


RoHS Compliant

## PACKAGING SPECIFICATION



	A	B	C	D	E	W	t	R
T( $\phi 180\text{mm}$ ) Reel	$\phi 180$	$\phi 60$	$\phi 13$	—	—	14.4	—	—



TYPE	Reel/pcs	P	P <sub>o</sub>	P <sub>2</sub>	t	D
MS2520LC-LF	2000	4	4	2	1	8