

PCB Modular Jack Series

KLS12-154-6P PCB Modular Jack 52 Series

MATERIAL

- 1.Housing Material : Glass Filled Polyester UL94V-0 PBT, NYLON
- 2.Housing Color : Black, Gray, Ivory, White or others
- 3.Contact Material : Phosphor Bronze $\Phi 0.46\text{mm}$
- 4.PLATING: Gold plating over nickel. Gold plating thickness
1.5u"/3u"/6u"/15u"/30u"/50u"

ELECTRICAL

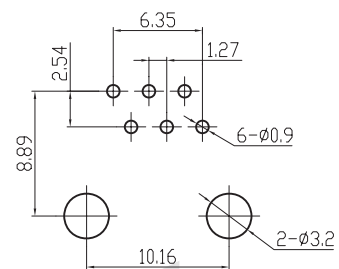
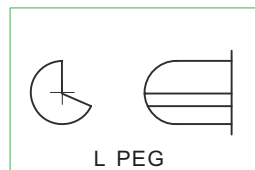
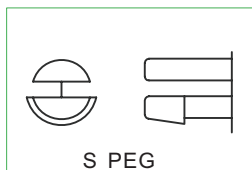
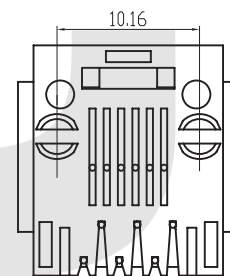
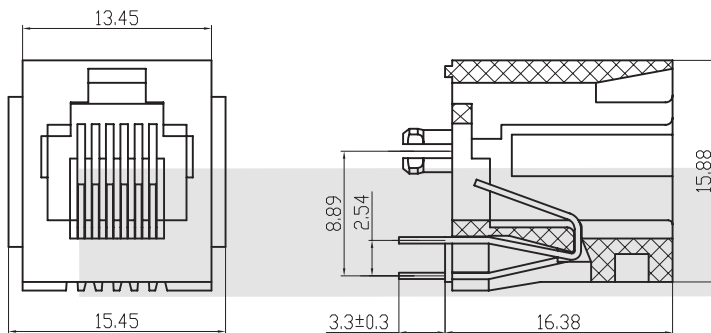
- 1.Current Rating:1.5Amp
- 2.Voltage Rating:125VAC
- 3.Contact Resistance : 30M Ω Max.
- 4.Insulation Resistance : 500 M Ω Min @500VDC
- 5.Withstanding Voltage: 1000VAC RMS 50Hz 1 minute

MECHANICAL

- 1.Durability : 750 cycles Min
- 2.PCB Retention pre-solder : 1 LB Min

ENVIRONMENTAL

- 1.Storage :-40°C~+80°C
- 2.Operation:-40°C~+70°C



PC Board Layout

ORDER INFORMATION

KLS12-154 - 6P6C-W-L-B-XX-X

Part Number	Point NO.	Panel	Peg	Part Color	Gold Thickness	Plastic
	6P6C Point	W-With Panel	L-L Peg	1-Black	01-Fu"	1-Nylon
	6P4C Point	W/O-Without Panel	S-Split Peg	2-Gray	02-3u"	2-PBT
	6P2C Point			3-White	03-6u"	3-ABS
				4-IV	04-15u"	
					05-30u"	
					06-50u"	