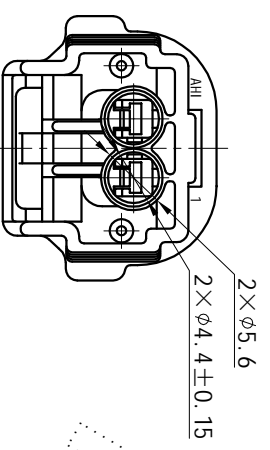
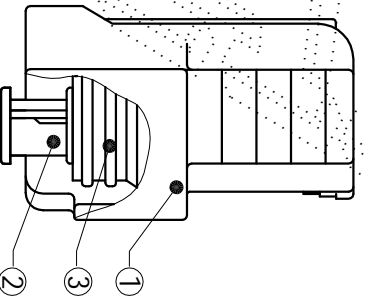
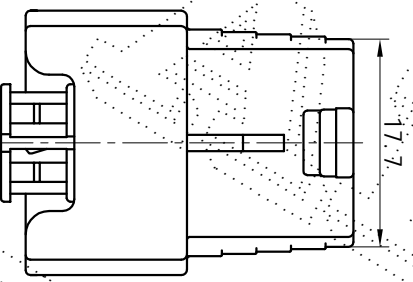
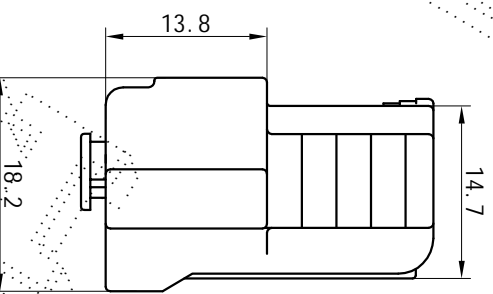
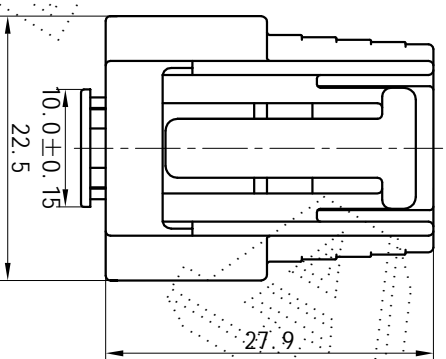
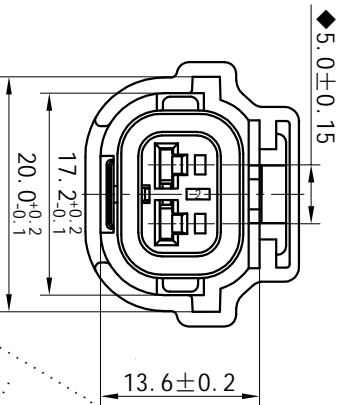


MARK	EON	DESCRIPTION	DWN.	DATE

Technical requirements

1. Parts must not have burr and injection molding defects which affect usability
2. The surface is bright and clean, smooth, no waterlogging, etc
3. The "◆" is the important feature, "★" is the key feature
4. Unmarked tolerance dimensions carry out according to the GB-T14486-2008 - MT6 level
5. The mating terminal is DJ625-2.3×0.6



NO. TOLERANCES		GB/T14486-2008-MT6	
DIM. RANGE	DIM. TOLERANCES	DIM. RANGE	DIM. TOLERANCES
0~3	±0.23	>18~24	±0.41
>3~6	±0.26	>24~30	±0.45
>6~10	±0.29	>30~40	±0.50
>10~14	±0.33	>40~50	±0.57
>14~18	±0.37	>50~65	±0.65

NO.	PART NO.	NAME	MATERIAL	Q'TY	COLOUR
③		WIRE SEAL	SILICONE RUBBER	1	BLAKG
②		LOCK	PBT	1	NATURE
①		HOUSING	PBT	1	GREY

COLOUR	SEE TABLE	NAME	2HOLE CONNECTOR	DRAWN BY	CONFIRMED BY	APPROVED BY
MATERIAL	SEE TABLE			AH1		
PART NO.						
TYPE	DJ7024-2.2-21					
ARTICLE NO.						
MOULD NO.						
REV.	1.0	1st PERSON VIEW				
FREE						
UNIT	mm					
PAGE	1/1					

乐清市奥海电气有限公司
Yueqing Aohai Electric Co., Ltd.