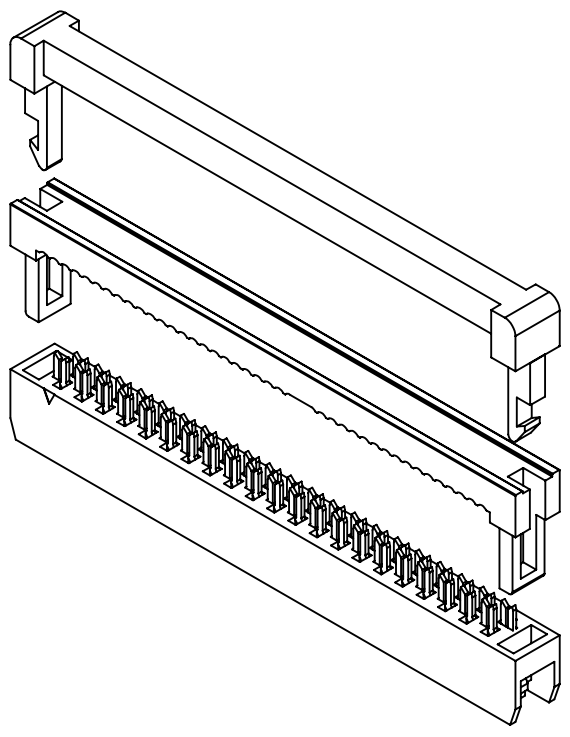
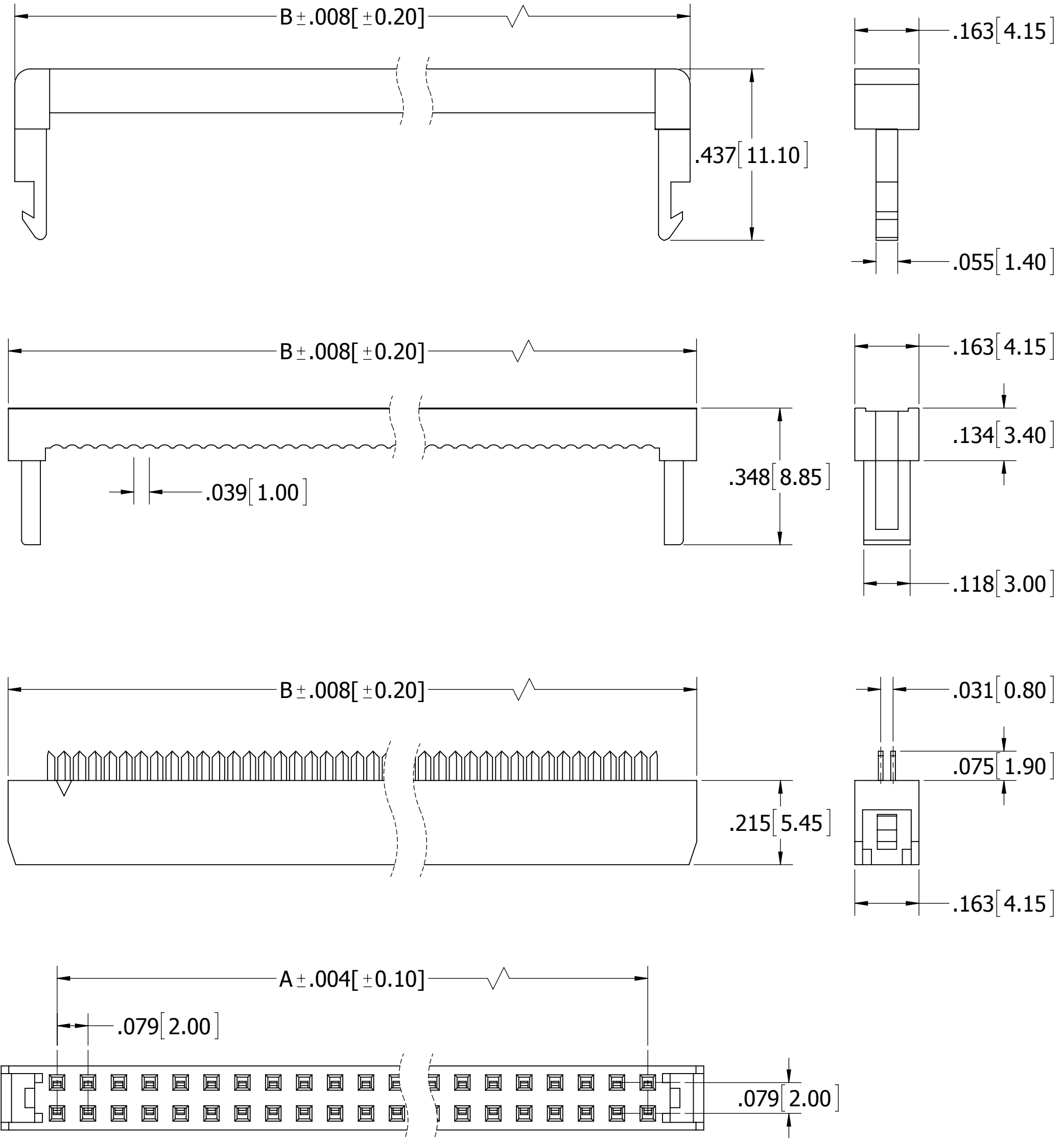


REVISIONS				
REV.	ECO NO.	DESCRIPTION	DATE	BY
B	1845	UPDATE TOLERANCE BLOCK, ADD NOTE 11	11/6/2008	JH
C	1909	ADD 'V' PLATING, UPDATE NOTES	2/4/2009	JH
D	2149	REMOVE "E" PLATING, UPDATE NOTES 10, AVAILABLE POSITION NUMBERS	06/15/2010	LH
E	2835	UPDATE NOTE 4 (WAS OPERATING TEMP, -45°C TO +85°C)	4/21/2014	JHSU
F	3219	UPDATE INSULATOR COLOR OPTIONS, UPDATE SR HEIGHT TO 11.10mm (WAS 10.98mm)	11/25/2015	LH/MG



**PART NUMBER CODING**  
**SFH213-PP\_N-D\_\_-ID-BK-M181**

**NUMBER OF POSITIONS**  
 (CONTACTS PER ROW)

**PLATING**  
 P = GOLD FLASH OVERALL  
 V = GOLD FLASH ON CONTACT SURFACE,  
 NICKEL ON TERMINATION

PART NUMBER	POSITIONS/ CONTACTS	A		B	
		IN	MM	IN	MM
SFH213-PP_N-D05-ID-BK-M181	05/10	.315	8.00	.600	15.25
SFH213-PP_N-D06-ID-BK-M181	06/12	.394	10.00	.679	17.25
SFH213-PP_N-D07-ID-BK-M181	07/14	.472	12.00	.758	19.25
SFH213-PP_N-D08-ID-BK-M181	08/16	.551	14.00	.837	21.25
SFH213-PP_N-D10-ID-BK-M181	10/20	.709	18.00	.994	25.25
SFH213-PP_N-D11-ID-BK-M181	11/22	.787	20.00	1.073	27.25
SFH213-PP_N-D12-ID-BK-M181	12/24	.866	22.00	1.152	29.25
SFH213-PP_N-D13-ID-BK-M181	13/26	.945	24.00	1.230	31.25
SFH213-PP_N-D15-ID-BK-M181	15/30	1.102	28.00	1.388	35.25
SFH213-PP_N-D17-ID-BK-M181	17/34	1.260	32.00	1.545	39.25
SFH213-PP_N-D20-ID-BK-M181	20/40	1.496	38.00	1.781	45.25
SFH213-PP_N-D22-ID-BK-M181	22/44	1.654	42.00	1.939	49.25
SFH213-PP_N-D25-ID-BK-M181	25/50	1.890	48.00	2.175	55.25

- NOTES:**
- INSULATOR MATERIAL: PBT 30% GLASS FIBER, BLACK
  - CONTACT MATERIAL: PHOSPHOR BRONZE
  - PLATING: SEE PART NUMBER CODING
  - OPERATING TEMPERATURE: -40°C TO +105°C
  - UL FLAMMABILITY RATING: 94V-0
  - CURRENT RATING: 1 AMP PER CONTACT
  - INSULATION RESISTANCE: 1,000M OHMS MIN.
  - CONTACT RESISTANCE: 30 MILLIOHMS MAX.
  - DIELECTRIC WITHSTANDING: 500 VAC
  - MATES WITH SBH21 SERIES
  - FOR .039"[1.00mm] PITCH FLAT CABLE, 26 - 28 AWG WIRE RANGE
  - M181 DENOTES PART W/O POLARIZING KEY



UNLESS OTHERWISE SPECIFIED:  
 DIMENSIONS ARE IN INCHES [MM]

TOLERANCES:  
 ANGULAR:  $\pm 1^\circ$

DECIMALS  
 .XX =  $\pm .012 [ .3]$   
 .XXX =  $\pm .008 [ .20]$   
 .XXXX =  $\pm .0040 [ .100]$

DRAWN: 10/28/08  
 DATE: 10/28/08  
 NAME: JH

**SULLINS**  
 CONNECTOR SOLUTIONS

TITLE: HEADER FEMALE, .079[2.00] CC, SR w/o POLARIZING KEY  
 PART NUMBER: SFH213-PP\_N-D\_\_-ID-BK-M181

SIZE: C  
 CAGE CODE: 54453  
 DWG. NO.: 11157  
 REV: F

SCALE: 4:1  
 SHEET 1 OF 1