

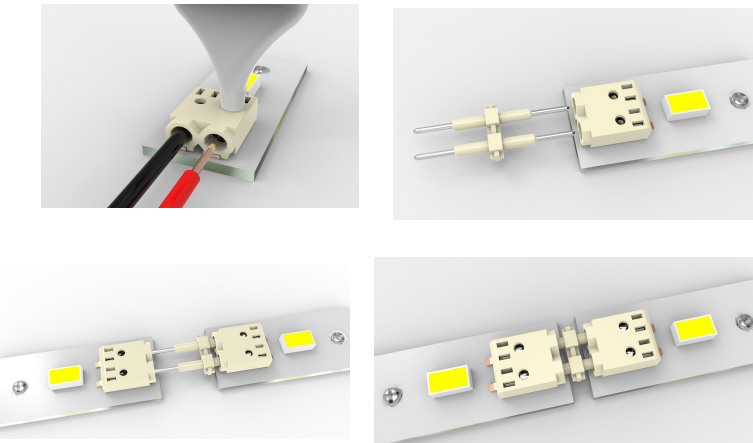
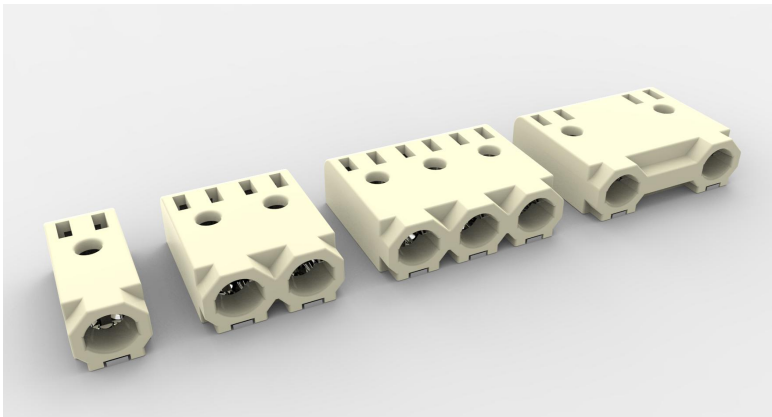


Product Name SMT Push Button
Model B07A

Order Mode:

型号 极数 颜色 客户其它需求
Serise No. No. of pole Color Customer Request

— P — —



see the attachment

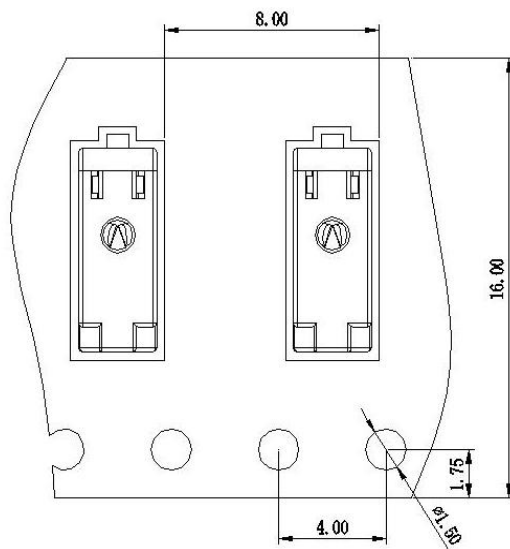
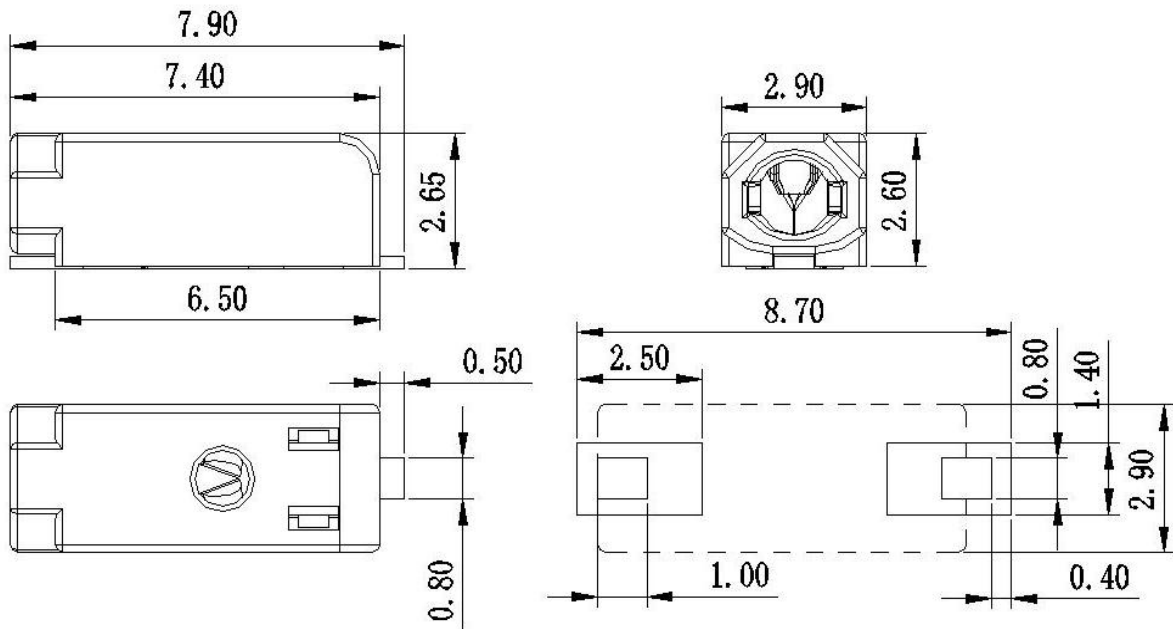
It is SMT connector B07A, which is our patented connector, much smaller than B07 Connector (wago 2060), the

1. mini type, suit for much smaller space;
2. Its shape won't deformate when going through the high temperature smt wave-soldering.; it's suitable for Lead-free reflow soldering process according to DIN EN 61760-1 and IEC 60068-2-58; the highest affordable temperature is 270°C

Product

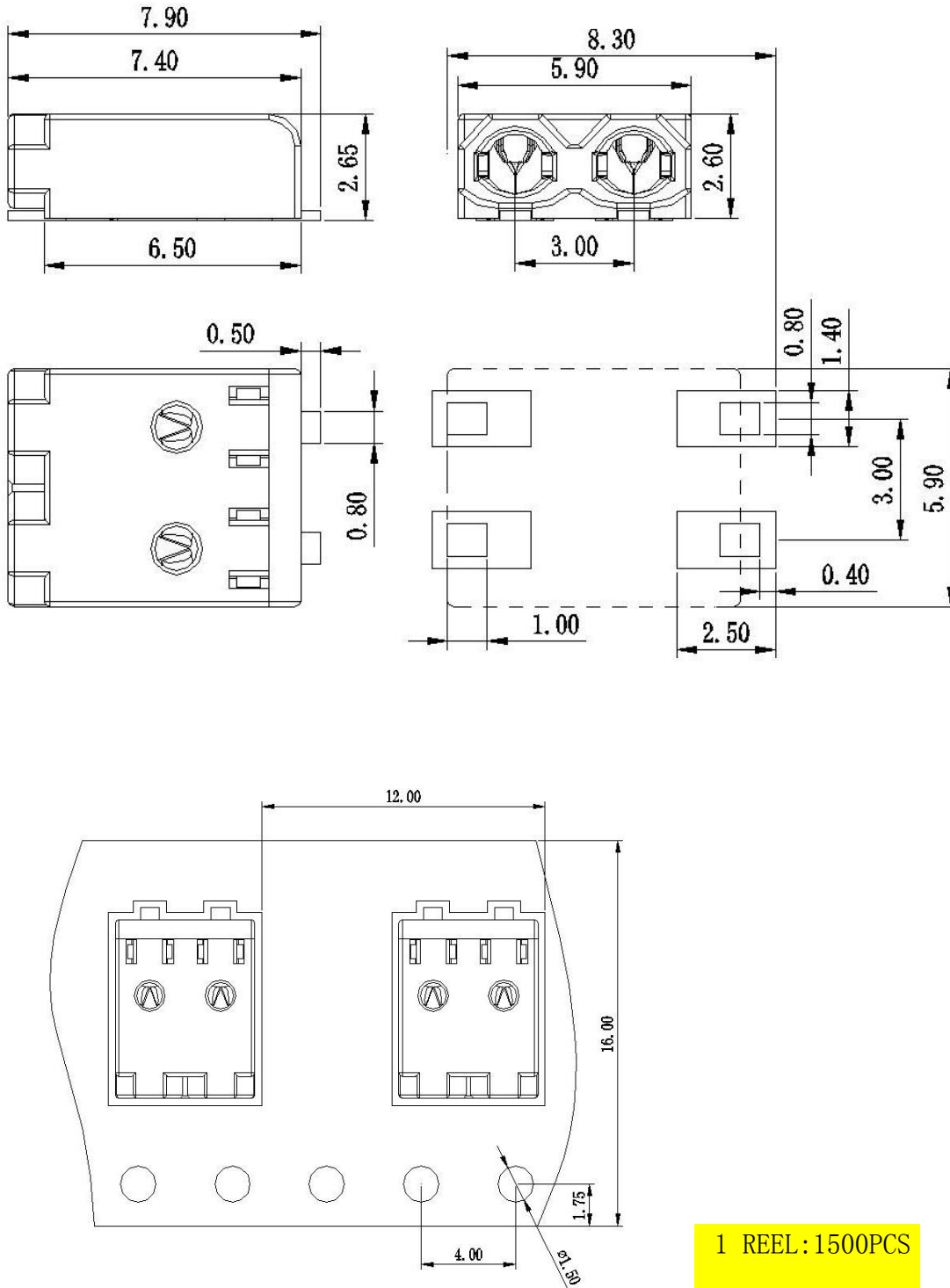
Appearance	
pitch	3mm
pin number	1-3 Pin
color	maize-yellow
strip length	4.5-5.5mm
connecting wire	1-3
Material	
shell	LCP
Clamping fittings	Phosphor bronze, tin-plated
Contact	Phosphor bronze, tin-plated
Electrical	
	IEC UL1977
voltage	250V (1P/6.0mm) 300V (1P/6.0mm) 160V (2P/3P) 160V (2P/3P)
current (A)	3A
rated connection area (mm ²)	0.14~0.34(single strand)
rated connection area (mm ²)	AWG 26-22 (Sol.)
Mechanical	
the angle of PCB and entrance hole	0°
connection	cage clamp connection
temperature	-40°C ~ +105°C
packing	in reel

SMT Push Button Screwless Terminal B07A-1P



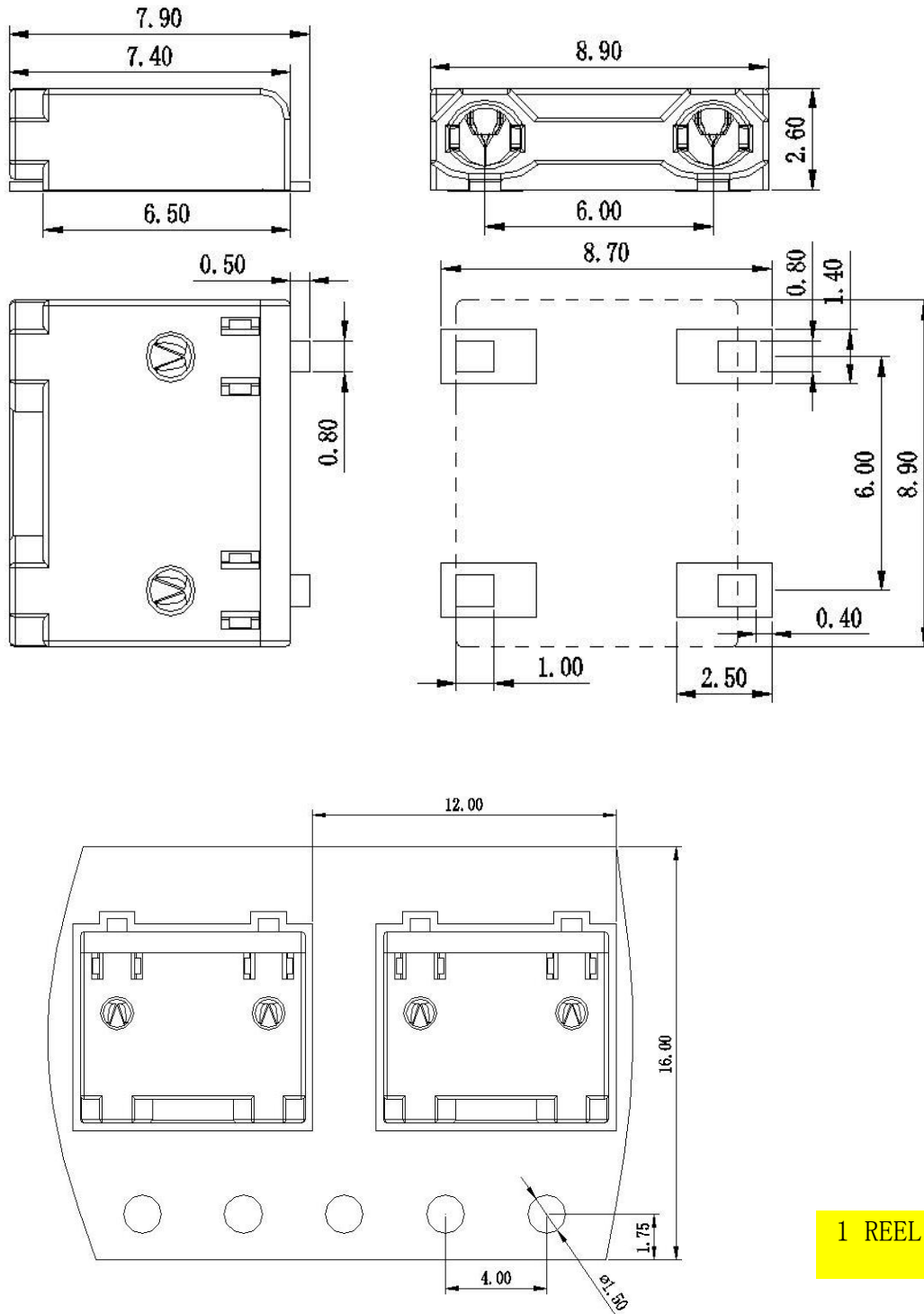
1 REEL: 2000PCS

SMT Push Button Screwless Terminal B07A-2P



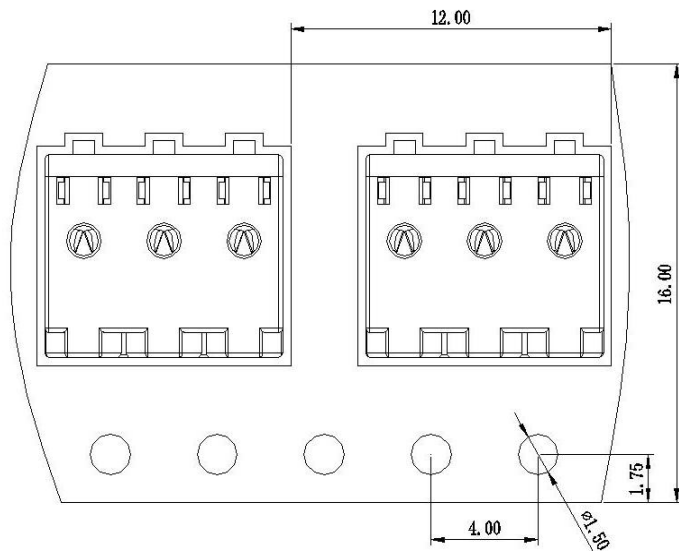
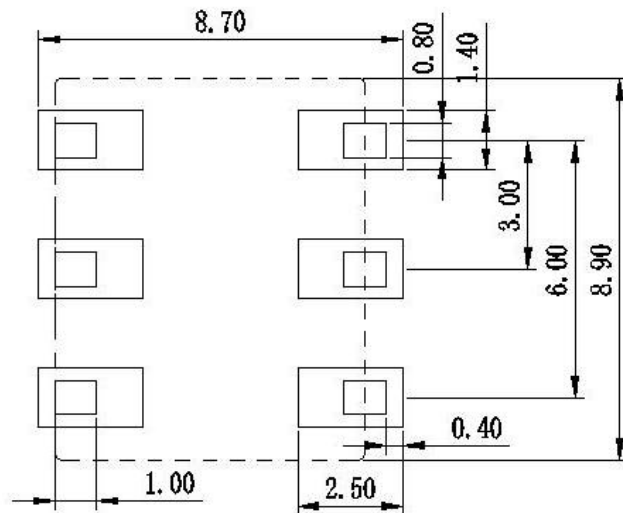
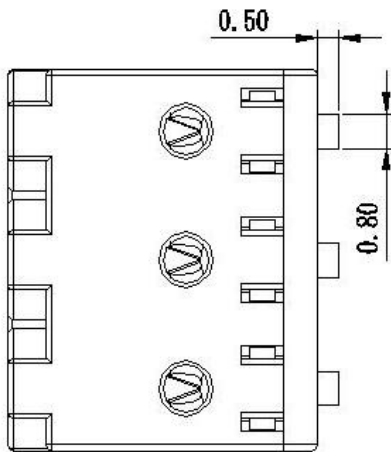
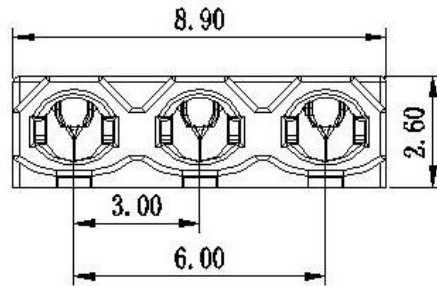
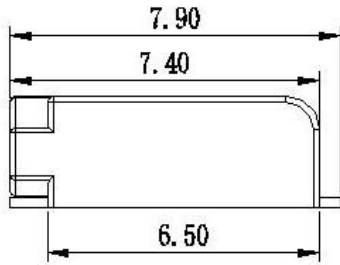
1 REEL: 1500PCS

SMT Push Button Screwless Terminal B07A-6.0



1 REEL: 800PCS

SMT Push Button Screwless Terminal B07A-3P



1 REEL:800PCS



Connect Jumper B07A-A

