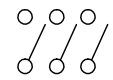
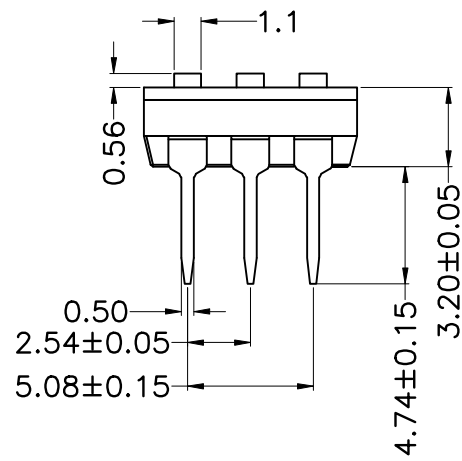
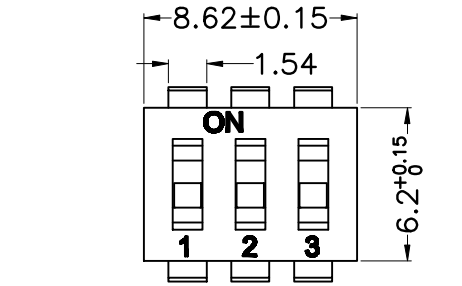


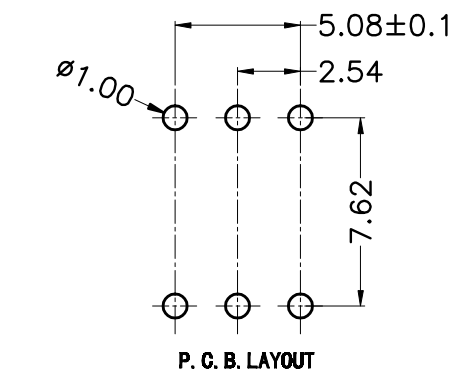
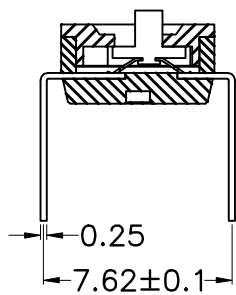
SCHEMATIC(TYP.)



(1,2,3,POS AVAIL)



G Type



P. C. B. LAYOUT

Specifications

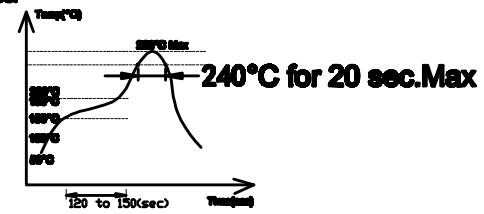
- Contact Rating
Switching.....25mA,24VDC
Non-Switching.....100mA,50VDC
- Contact Resistance
Initial.....50m Ω/Max
After Reliability Test..... 100m Ω/Max
- Insulation Resistance 100MΩ/Min. at 500 VDC
- Dielectric Strength 500VAC/1minute
- Operating Force 1,000g /max
- Travel0.9 0mm
- Mechanical Life5,000 cycles (Min.)
- Electrical Life2,000 cycles/25mA,24VDC
- Operating Temperature-20℃--+70℃
- Storage Temperature-40℃--+85℃

Materials

- CoverPA4T,Black
- BasePA4T,Black
- ActuatorPA4T,White
- Terminal Contact1μ Gold- Plated
- TapePolyimide Film

Soldering Information

- Keep all switch contacts in their "off" position for all operations .
- Hand Soldering
Soldering iron 30W or under at 320°C for 3 sec. max.
or at 270°C for 5 sec. max.
 - Reflow Soldering
Reflow zone 240°C for 20 seconds.(attached drawing for reference)
 - Wave Soldering
Recommended Solder Temperature at 280 °C max.
5 seconds for IC type.



说明:

- 1, 一般公差: 10mm以上—±0.2mm.
10mm以内—±0.1mm.
- 2, 材质与性能参见附件。

△				
△				
△	A	DRG. DEL.	2016.3.20	YANG
符号	版本	修订内容	日期	批准

尺寸公差:		角度公差:	
X.	±0.20	X.	±2'
.X	±0.15	.X	±1'
.XX	±0.10	.XX	±0.5'
绘图类型	AUTO CAD		
比例	1:1	图页	1\1
图框编号			

投影法		品名	KF1027A-3P-G
单位	mm		
纸张尺寸	A4	产品系列	直插式平拨开关
DF 慈溪市凯峰电子有限公司			
KAIFENG ELECTRONIC		KAIFENG ELECTRONIC CO.,LTD	