

T74

Features

- 20A carrying current
- 1H and 1Z contact form available construction
- Standard PC layout



T74(4181)

PCB Relay



Contact Ratings

Contact Ratings	1A 1C	2A
Contact Resistance	100mΩ(at 1A 6VDC)	
Contact Material	Silver Alloy	
Contact capacity	20A 14VDC/5A 250VAC 7A 125VAC	2 x 6A 14VAC

Specification

Insulation Resistance	100MΩ 500VDC
Dielectric Strength	BCC 1000V 1 min
	BOC 500V 1 min
Operate Time	5ms/5ms
Terminal Type	PCB

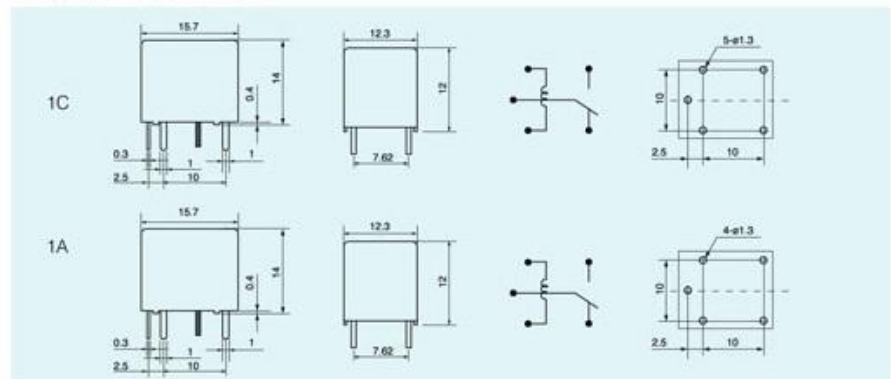
Coil Ratings

Nominal Coil Power	0.6W 0.8W
--------------------	-----------

Coil Versions

Nominal Voltage VDC	Coil Resistance at 20°C±10%(Ω)		Max Operate Voltage (VDC)	Min Release Voltage (VDC)	Max Applicable Voltage (VDC)
	0.6W	0.8W			
6	60	45	3.90	0.6	9.0
9	135	100	5.85	0.9	13.5
12	240	180	7.80	1.2	18.0
24	960	720	15.6	2.4	36.0

Dimension.Bottom View



Reference Data

