

# PRODUCT SPECIFICATION

**Model No.: FYL-5012PD1C**

Descriptions:
■ Emitting Color: Photo diode.
■ Device Outline: Φ5mm round type.
■ Lens Type: Deep blue.



CUSTOMER APPROVED SIGNATURES	APPROVED BY	CHECKED BY	PREPARED BY

**NINGBO FORYARD OPTOELECTRONICS CO.,LTD.**

**Add:**NO.115 Qixin Road Ningbo Zhejiang China

**Zip:**315051

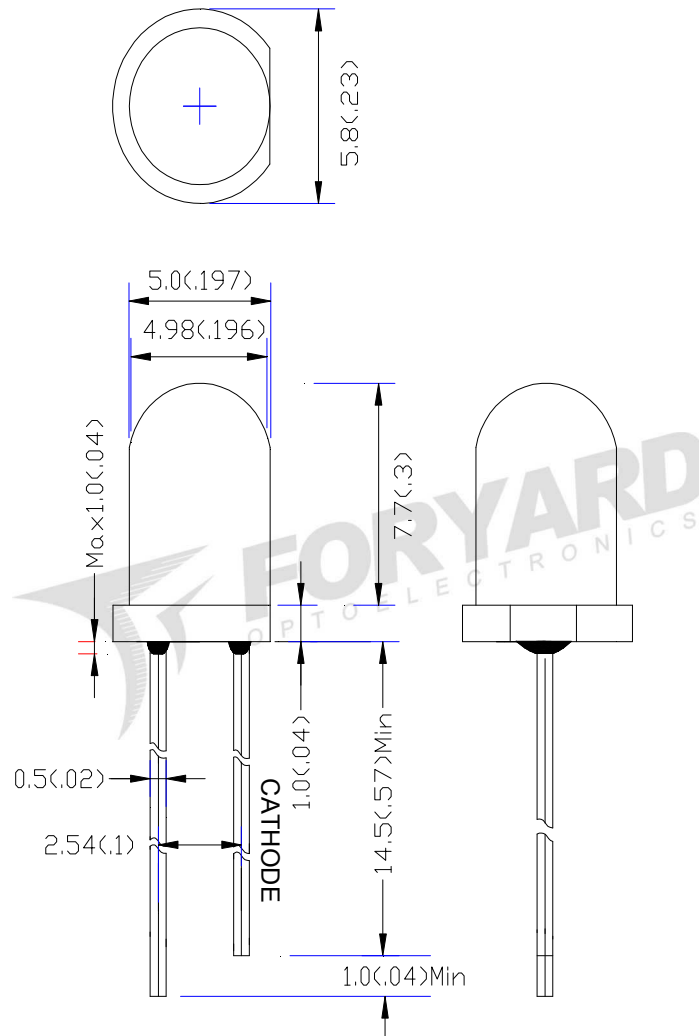
**Tel:** 0086-574-87933652 87927870 87922206

**Fax:** 0086-574-87927917

**E-mail:** Sales@foryard.com (General)

[Http://www.foryard.com](http://www.foryard.com)

■ Package configuration



Notes:

1. All dimensions are millimeters (inches)
2. Tolerance is  $\pm 0.25\text{mm} (.010\text{'})$  unless otherwise noted.
3. The specifications, characteristics and technical data described in the datasheet are subject to change without prior notice.

■ Absolute maximum ratings( $T_a=25\text{ }^\circ\text{C}$ )

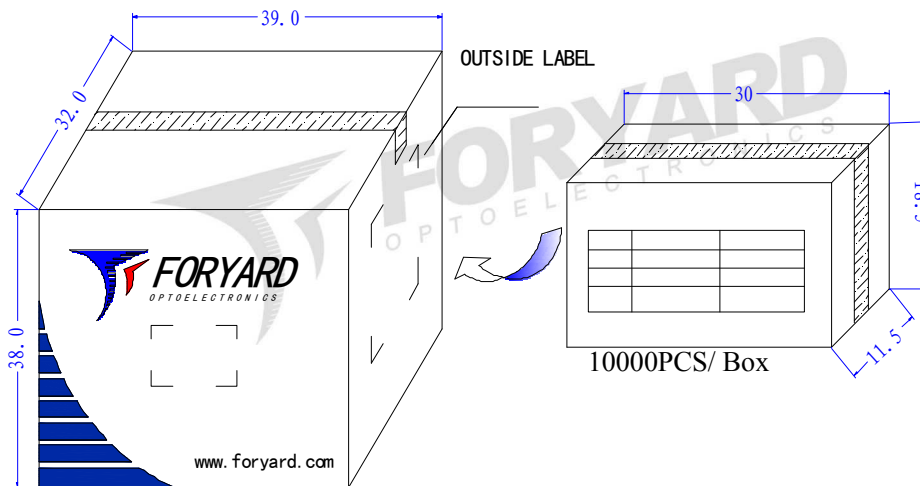
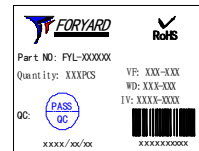
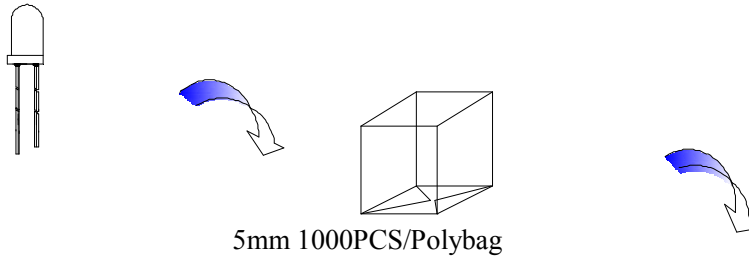
Parameter	Symbol	Min.	Typ.	Max.	Unit	Test Condition
Reverse Breakdown Voltage	$V_{BR}$	35	170	-	V	$I_R=100\mu\text{A}, H=0\text{mw}/\text{cm}^2$
Operating Temperature	$T_{opr}$	-30	-	+85	$^\circ\text{C}$	—
Storage Temperature	$T_{str}$	-40	-	+100	$^\circ\text{C}$	—

■ Electrical and optical characteristics( $T_a=25\text{ }^\circ\text{C}$ )

Parameter	Symbol	Min.	Typ.	Max.	Unit	Test Condition
Forward Voltage	VF	0.5	1.3	1.7	V	$I_F=20\text{mA}$
Peak Sensing Wavelength	$\lambda_p$		940		nm	$I_F=20\text{mA}$
Light Current	IL	-	1.8	-	$\mu\text{A}$	H as $1\text{mw}/\text{cm}^2@940\text{nm}, V_R=5\text{V}$
Reverse Dark Current	ID		2	10	nA	$H=0\text{mw}/\text{cm}^2, V_R=10\text{V}$
Junction Capacitance	CJ		1.5		PF	$V_R=3\text{V}, f=1\text{MHZ}, H=0\text{mw}/\text{cm}^2$

<b>Model No.</b>	FYL-5012PD1C
<b>Rev.</b>	A

■ LAMP PACKING.



OUTSIDE LABEL