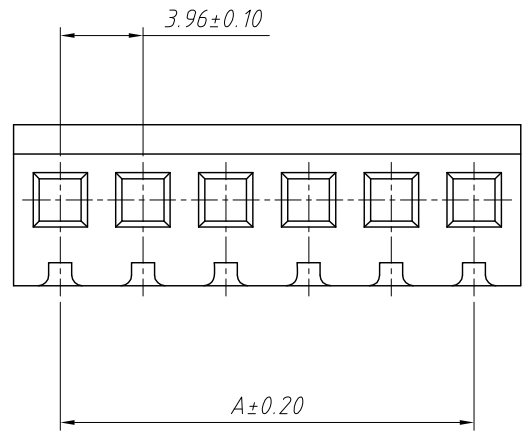


1
RoHS Compliance

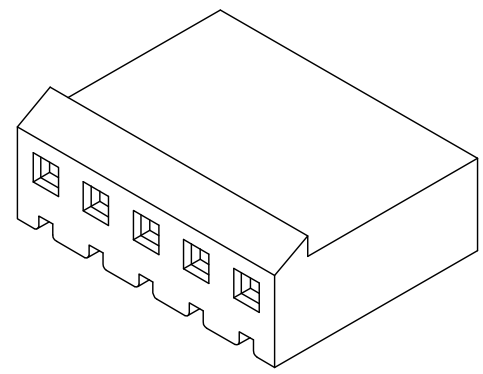
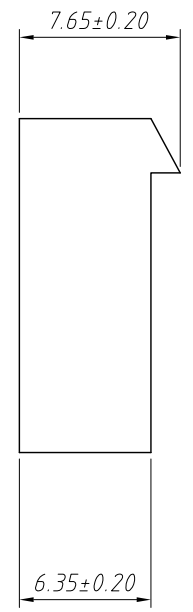
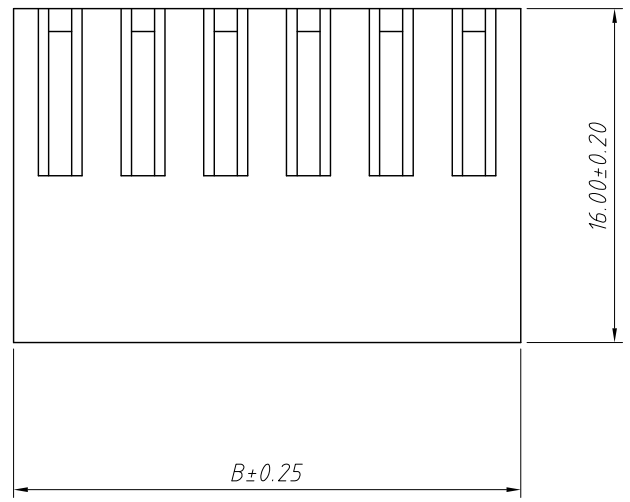
A
B
C
D
E
F
G
H



| Pins | Dimensions | | Pins | Dimensions | |
|------|------------|-------|------|------------|-------|
| | A | B | | A | B |
| 02 | 3.96 | 8.43 | 12 | 43.56 | 48.03 |
| 03 | 7.92 | 12.39 | 13 | 47.52 | 51.99 |
| 04 | 11.88 | 16.35 | 14 | 51.48 | 55.95 |
| 05 | 15.84 | 20.31 | 15 | 55.44 | 59.91 |
| 06 | 19.80 | 24.27 | 16 | 59.40 | 63.87 |
| 07 | 23.76 | 28.23 | 17 | 63.36 | 67.83 |
| 08 | 27.72 | 32.19 | 18 | 67.32 | 71.79 |
| 09 | 31.68 | 36.15 | 19 | 71.28 | 75.75 |
| 10 | 35.64 | 40.11 | 20 | 75.24 | 79.71 |
| 11 | 39.60 | 44.07 | | | |

Material:
Housing:PA66,UL94V-2

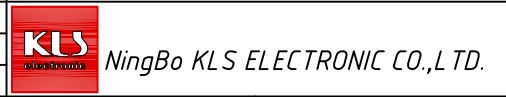
Electrical Characteristics:
Rated Current:7.0AMP
Voltage rating:250V AC,DC
Temperature range:-25°C ~ +85°C
Insulator Resistance:1000MΩ Min
Withstanding Voltage:1500V AC/minute
Contact Resistance:20mΩ Max



Order Information:
L-KLS1-3.96-XX-H

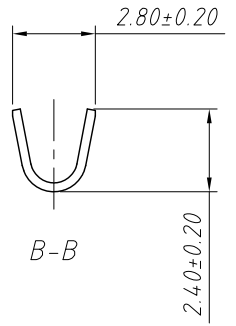
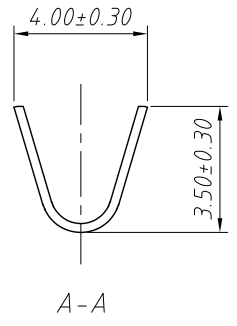
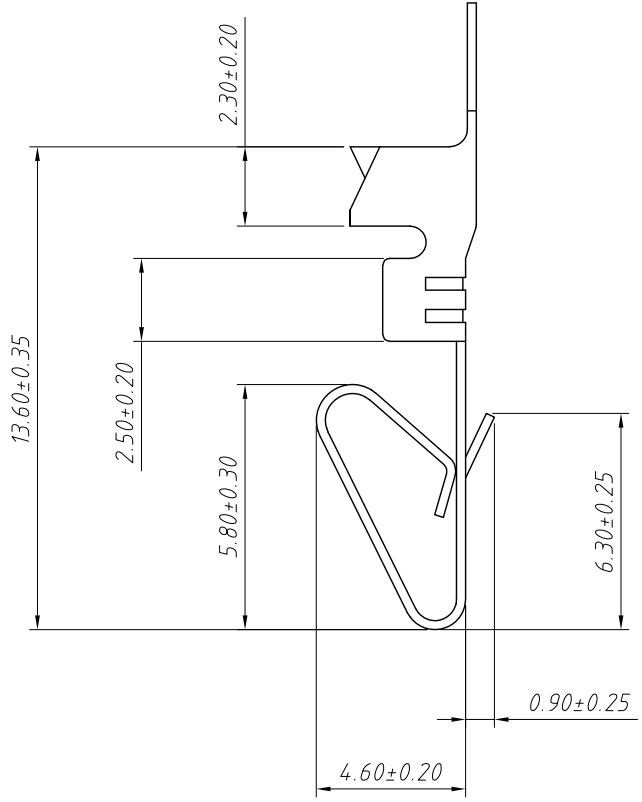
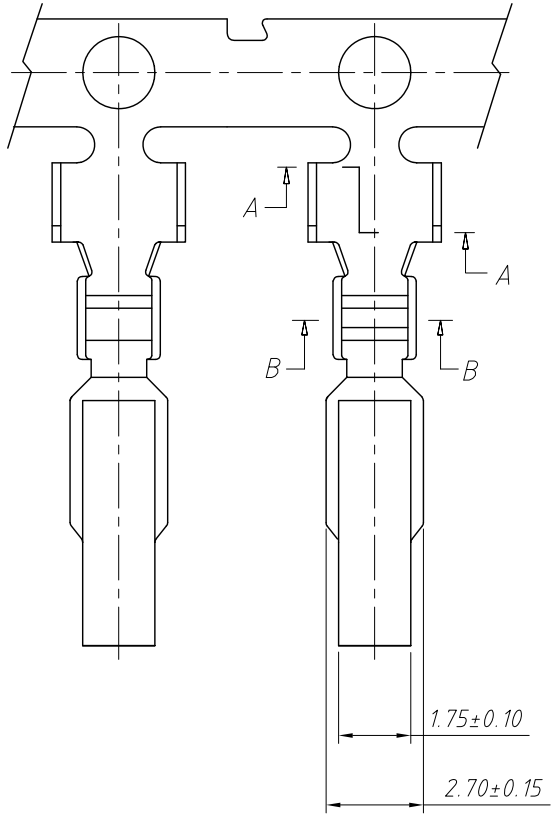
L: RoHS
Pitch:3.96mm
XX-No.of 02~20pins
Type: _____
H-Hosing T-Terminal
S-Straight male pin
R-Right angle male pin

| | | | |
|-------------------|------------|--------------|---------------------------------|
| ANGLE TOLERANCE | PROJECTION | Description: | 3.96mm Pitch Molex KK396 KK2139 |
| ±3° | | | Wire To Board Connector |
| GENERAL TOLERANCE | UNITS | mm | KLS P/N: |
| x.x ±0.30 | SHEET SIZE | A4 | L-KLS1-3.96-XX-H |
| x.xx ±0.20 | Draw: | Daniel | 2021-01-11 |
| x.xxx ±0.10 | Check: | Daniel | 2021-01-11 |



1 2 3 4 5 6 7 8

1
RoHS Compliance

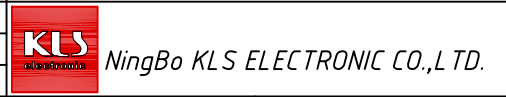


Material:
Terminal: Brass
Plating: Tin plated
Applicable wires: AWG #24 ~ #18
Insulation O.D: 2.8mm
Thickness: 0.25mm
Qty/reel: 5000 pcs

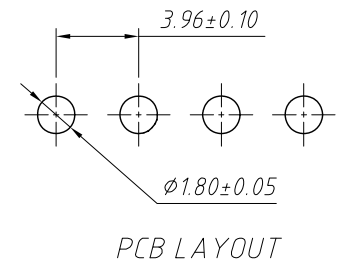
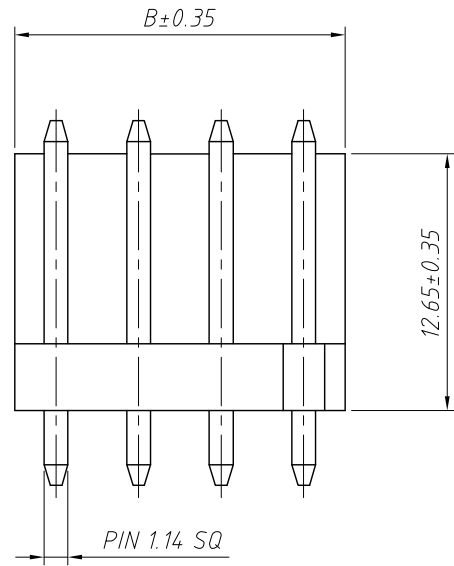
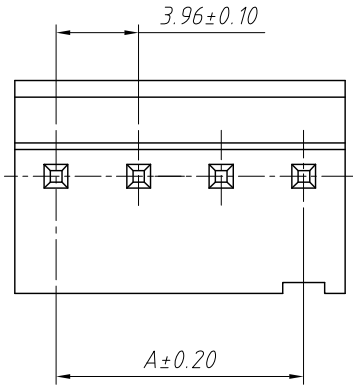
Electrical Characteristics:
Rated Current: 7.0AMP
Voltage rating: 250V AC, DC
Temperature range: -25°C ~ +85°C
Insulator Resistance: 1000MΩ Min
Withstanding Voltage: 1500V AC/minute
Contact Resistance: 20mΩ Max

Order Information:
L-KLS1-3.96-T
L: RoHS
Pitch: 3.96mm
Type:
H-Hosing T-Terminal
S-Straight male pin
R-Right angle male pin

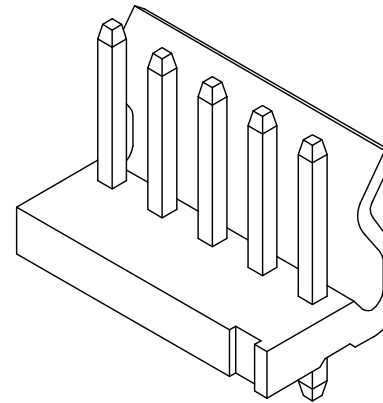
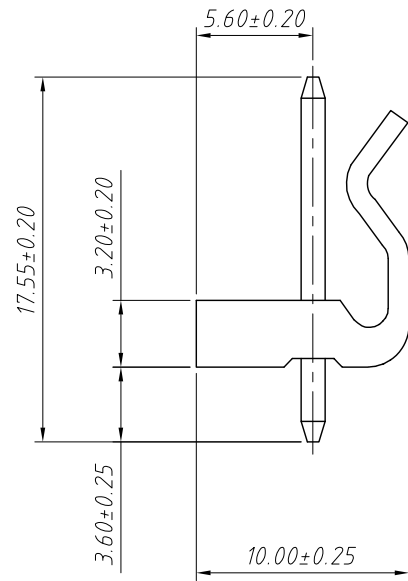
| | | | |
|-------------------|------------|--------------|---------------------------------|
| ANGLE TOLERANCE | PROJECTION | Description: | 3.96mm Pitch Molex KK396 KK2139 |
| ±3° | | | Wire To Board Connector |
| GENERAL TOLERANCE | UNITS | mm | KLS P/N: L-KLS1-3.96-T |
| x.x ±0.30 | SHEET SIZE | A4 | |
| x.xx ±0.20 | Draw: | Daniel | 2021-01-11 |
| x.xxx ±0.10 | Check: | Daniel | 2021-01-11 |



1 RoHS Compliance



| Pins | Dimensions | | Pins | Dimensions | |
|------|------------|-------|------|------------|-------|
| | A | B | | A | B |
| 02 | 3.96 | 7.92 | 12 | 43.56 | 47.52 |
| 03 | 7.92 | 11.88 | 13 | 47.52 | 51.48 |
| 04 | 11.88 | 15.84 | 14 | 51.48 | 55.44 |
| 05 | 15.84 | 19.80 | 15 | 55.44 | 59.40 |
| 06 | 19.80 | 23.76 | 16 | 59.40 | 63.36 |
| 07 | 23.76 | 27.72 | 17 | 63.36 | 67.32 |
| 08 | 27.72 | 31.68 | 18 | 67.32 | 71.28 |
| 09 | 31.68 | 35.64 | 19 | 71.28 | 75.24 |
| 10 | 35.64 | 39.60 | 20 | 75.24 | 79.20 |
| 11 | 39.60 | 43.56 | | | |

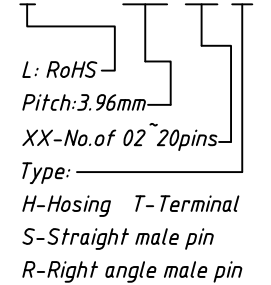


Material:
Housing:PA66,UL 94 V-2
Contact:Brass
Plating:Tin plate

Electrical Characteristics:
Rated Current:7.0AMP
Voltage rating:250V AC,DC
Temperature range:-25°C ~ +85°C
Insulator Resistance:1000MΩ Min
Withstanding Voltage:1500V AC/minute
Contact Resistance:20mΩ Max

Order Information:

L-KLS1-3.96-XX-S

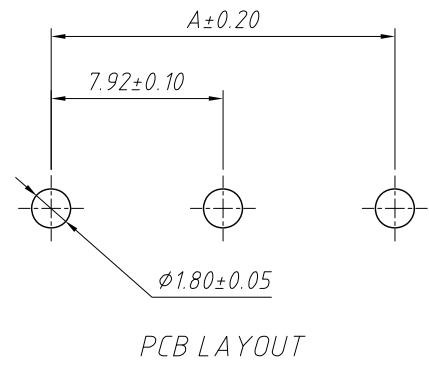
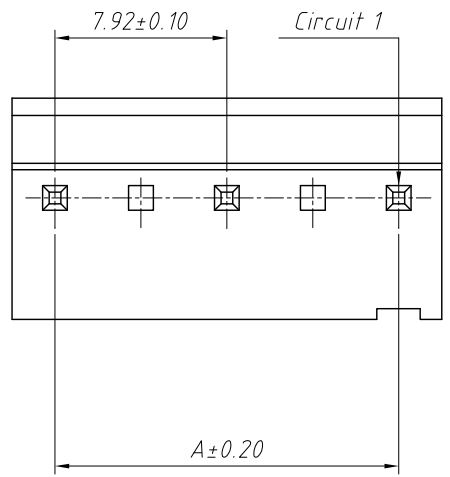


| | | | |
|-------------------|------------|--------------|---------------------------------|
| ANGLE TOLERANCE | PROJECTION | Description: | 3.96mm Pitch Molex KK396 KK2139 |
| ±3° | | | Wire To Board Connector |
| GENERAL TOLERANCE | UNITS | mm | KLS P/N: |
| x.x ±0.30 | SHEET SIZE | A4 | L-KLS1-3.96-XX-S |
| x.xx ±0.20 | Draw: | Daniel | 2021-01-11 |
| x.xxx ±0.10 | Check: | Daniel | 2021-01-11 |



NingBo KLS ELECTRONIC CO.,L TD.

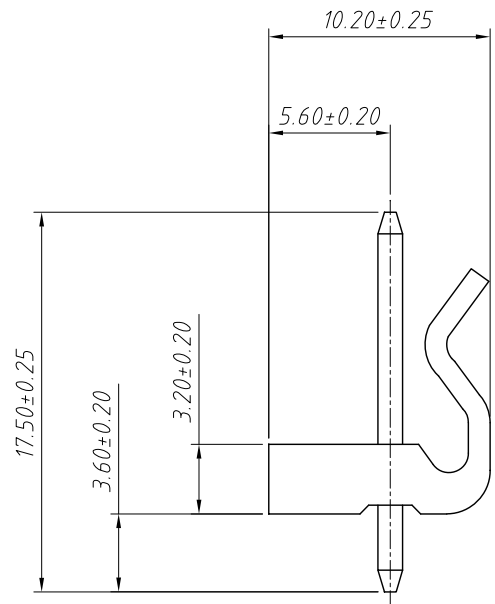
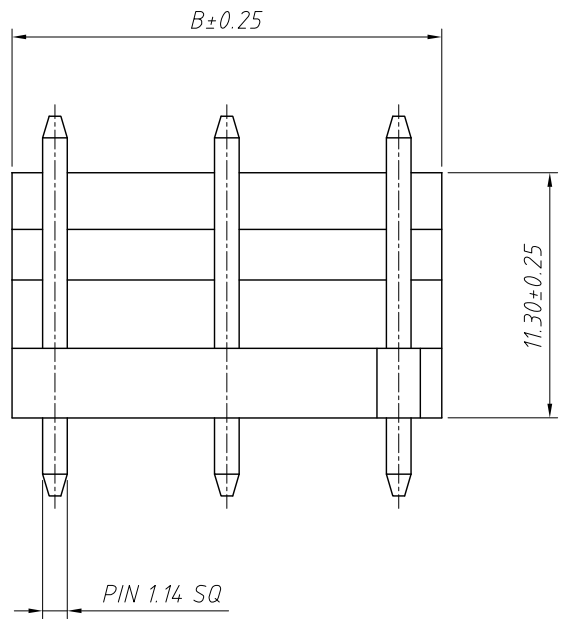
1
RoHS Compliance



| Pins | Dimensions | |
|------|------------|-------|
| | A | B |
| 03 | 7.92 | 11.88 |
| 05 | 15.84 | 19.80 |
| 07 | 23.76 | 27.72 |
| 09 | 31.68 | 35.64 |
| 11 | 39.60 | 43.56 |
| 13 | 47.52 | 51.48 |
| 15 | 55.44 | 59.40 |
| 17 | 63.36 | 67.32 |
| 19 | 71.28 | 75.24 |

Material:
Housing: PA66, UL 94 V-2, Natural
Contact: Brass
Plating: Tin plate Over Nickel

Electrical Characteristics:
Rated Current: 7.0AMP
Voltage rating: 250V AC, DC
Temperature range: -40°C ~ +105°C
Insulator Resistance: 1000MΩ Min
Withstanding Voltage: 1500V AC/minute
Contact Resistance: 10mΩ Max



Order Information:
L-KLS1-3.96-XXPK-S

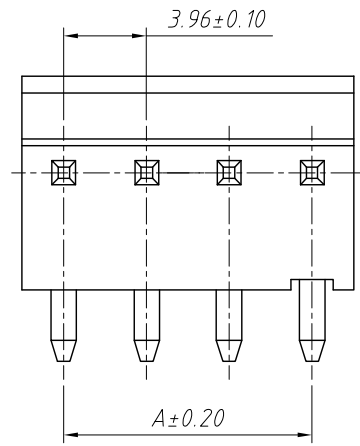
L: RoHS
Pitch: 3.96mm
XX-No. of 03 ~ 19 pins
XK-Empty Pins
Type:
S-Straight male pin
R-Right angle male pin

| | | | |
|-------------------|------------|--------------|---------------------------------|
| ANGLE TOLERANCE | PROJECTION | Description: | 3.96mm Pitch Molex KK396 KK2139 |
| ±3° | | | Wire To Board Connector |
| GENERAL TOLERANCE | UNITS | mm | KLS P/N: |
| x.x ±0.30 | SHEET SIZE | A4 | L-KLS1-3.96-XXPK-S |
| x.xx ±0.20 | Draw: | Daniel | 2021-01-11 |
| x.xxx ±0.10 | Check: | Daniel | 2021-01-11 |

NingBo KLS ELECTRONIC CO.,L TD.

1
RoHS Compliance

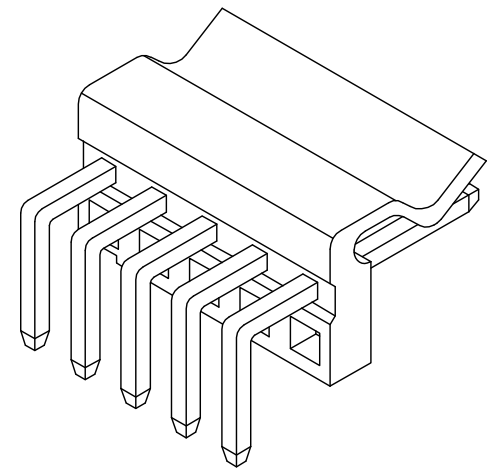
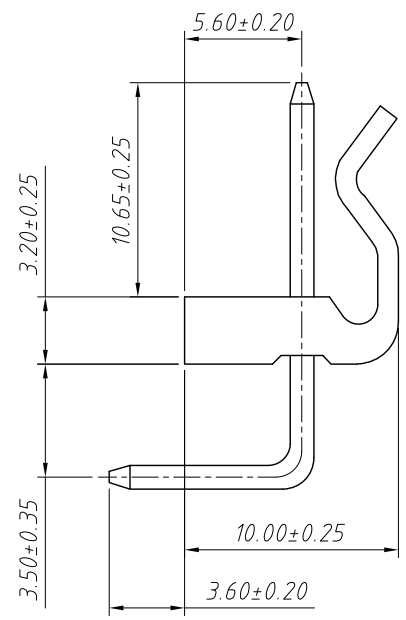
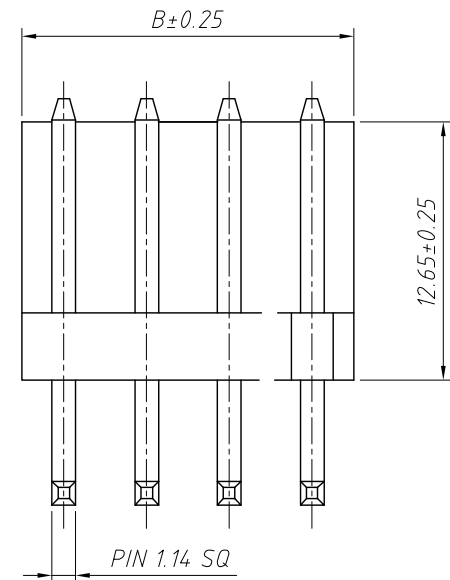
A
B
C
D
E
F
G
H



| Pins | Dimensions | | Pins | Dimensions | |
|------|------------|-------|------|------------|-------|
| | A | B | | A | B |
| 02 | 3.96 | 7.92 | 12 | 43.56 | 47.52 |
| 03 | 7.92 | 11.88 | 13 | 47.52 | 51.48 |
| 04 | 11.88 | 15.84 | 14 | 51.48 | 55.44 |
| 05 | 15.84 | 19.80 | 15 | 55.44 | 59.40 |
| 06 | 19.80 | 23.76 | 16 | 59.40 | 63.36 |
| 07 | 23.76 | 27.72 | 17 | 63.36 | 67.32 |
| 08 | 27.72 | 31.68 | 18 | 67.32 | 71.28 |
| 09 | 31.68 | 35.64 | 19 | 71.28 | 75.24 |
| 10 | 35.64 | 39.60 | 20 | 75.24 | 79.20 |
| 11 | 39.60 | 43.56 | | | |

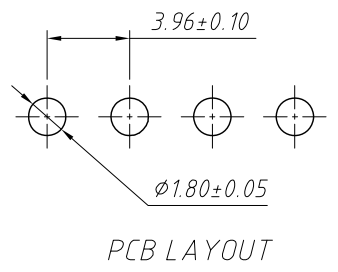
Material:
Housing: PA66, UL 94V-2
Contact: Brass
Plating: Tin plate

Electrical Characteristics:
Rated Current: 7.0AMP
Voltage rating: 250V AC, DC
Temperature range: -25°C ~ +85°C
Insulator Resistance: 1000MΩ Min
Withstanding Voltage: 1500V AC/minute
Contact Resistance: 20mΩ Max

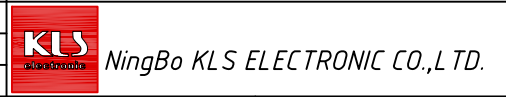


Order Information:
L-KLS1-3.96-XX-R

L: RoHS
Pitch: 3.96mm
XX-No. of 02~20pins
Type: H-Hosing T-Terminal
S-Straight male pin
R-Right angle male pin

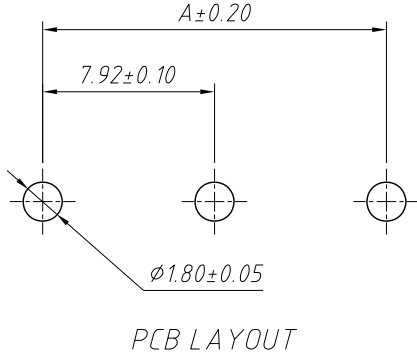
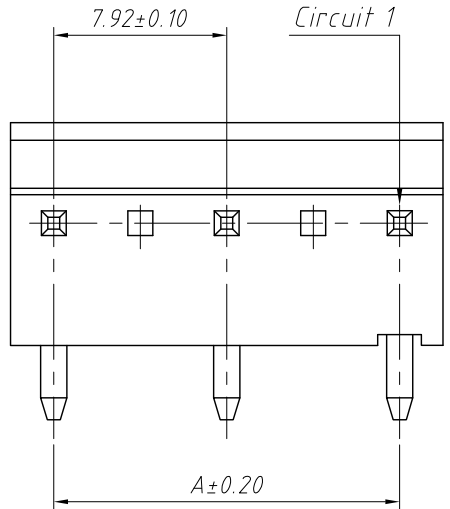


| | | | |
|-------------------|------------|--------------|---------------------------------|
| ANGLE TOLERANCE | PROJECTION | Description: | 3.96mm Pitch Molex KK396 KK2139 |
| ±3° | | | Wire To Board Connector |
| GENERAL TOLERANCE | UNITS | mm | KLS P/N: |
| x.x ±0.30 | SHEET SIZE | A4 | L-KLS1-3.96-XX-R |
| x.xx ±0.20 | Draw: | Daniel | 2021-01-11 |
| x.xxx ±0.10 | Check: | Daniel | 2021-01-11 |



1 2 3 4 5 6 7 8

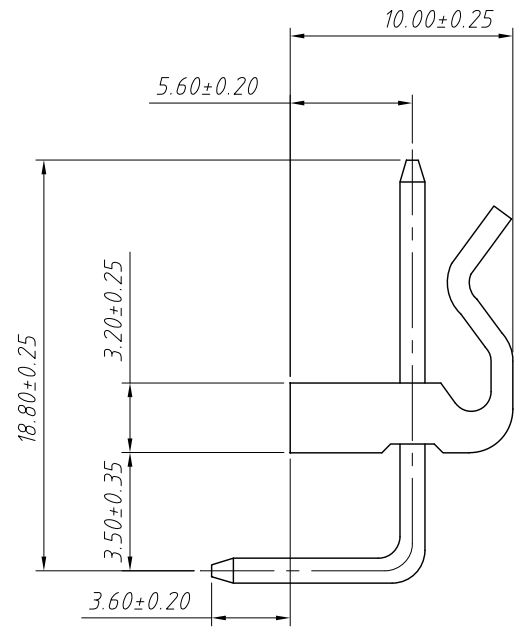
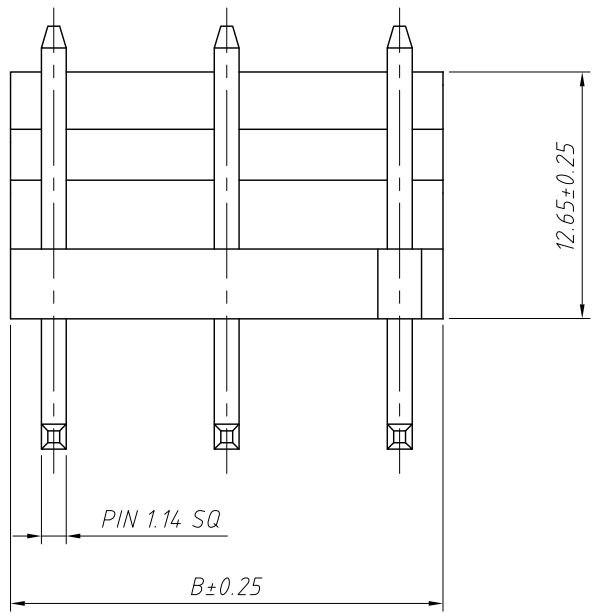
1
RoHS Compliance



| Pins | Dimensions | |
|------|------------|-------|
| | A | B |
| 03 | 7.92 | 11.88 |
| 05 | 15.84 | 19.80 |
| 07 | 23.76 | 27.72 |
| 09 | 31.68 | 35.64 |
| 11 | 39.60 | 43.56 |
| 13 | 47.52 | 51.48 |
| 15 | 55.44 | 59.40 |
| 17 | 63.36 | 67.32 |
| 19 | 71.28 | 75.24 |

Material:
Housing: PA66, UL 94 V-2, Natural
Contact: Brass
Plating: Tin plate Over Nickel

Electrical Characteristics:
Rated Current: 7.0AMP
Voltage rating: 250V AC, DC
Temperature range: -40°C ~ +105°C
Insulator Resistance: 1000MΩ Min
Withstanding Voltage: 1500V AC/minute
Contact Resistance: 10mΩ Max



Order Information:
L-KLS1-3.96-XXPXK-R
L: RoHS
Pitch: 3.96mm
XX-No. of 03 ~ 19 pins
XK-Empty Pins
Type:
S-Straight male pin
R-Right angle male pin

| | | | |
|-------------------|------------|--------------|---------------------------------|
| ANGLE TOLERANCE | PROJECTION | Description: | 3.96mm Pitch Molex KK396 KK2139 |
| ±3° | | | Wire To Board Connector |
| GENERAL TOLERANCE | UNITS | mm | KLS P/N: |
| x.x ±0.30 | SHEET SIZE | A4 | L-KLS1-3.96-XXPXK-R |
| x.xx ±0.20 | Draw: | Daniel | 2021-01-11 |
| x.xxx ±0.10 | Check: | Daniel | 2021-01-11 |

NingBo KLS ELECTRONIC CO.,L TD.