

D-SUB Series

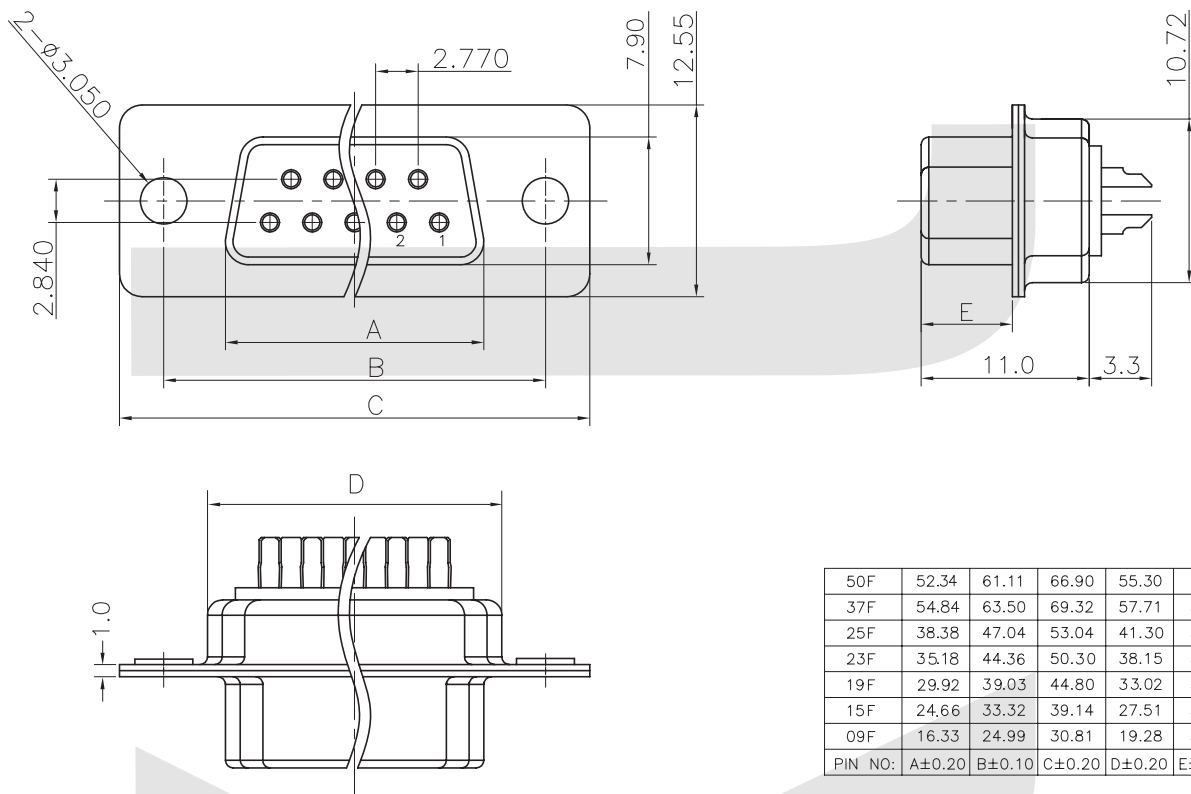
KLS1-213 D-SUB 2 ROW SOLDER TYPE

Electrical Specification:

Current Rating: 2 AMP
 Insulator Resistance: 5000M ohms min. at DC 500V
 Contact Resistance: 20m ohms max. at DC 100mA
 Operating Temperature: -55°C~+105°C

Material:

Housing: 30% Glass filled PBT UL94V-0
 Contacts: Phosphor Bronze
 Shell: Steel, 100u" Tin Over 50u" min Nickel
 Clinch Nut: Brass, 100u" min Nickel Plated
 Screwlock: Brass, 100u" min Nickel Plated



ORDER INFORMATION

Product NO.: KLS1-213-XX - F -L

Pos. NO. _____ L=Blue B=Black W=White
 001=001 pos.
 Contact Number of Row _____
 213=DB Series
 Number of Contacts _____ M=Male F=Female

D-SUB Series

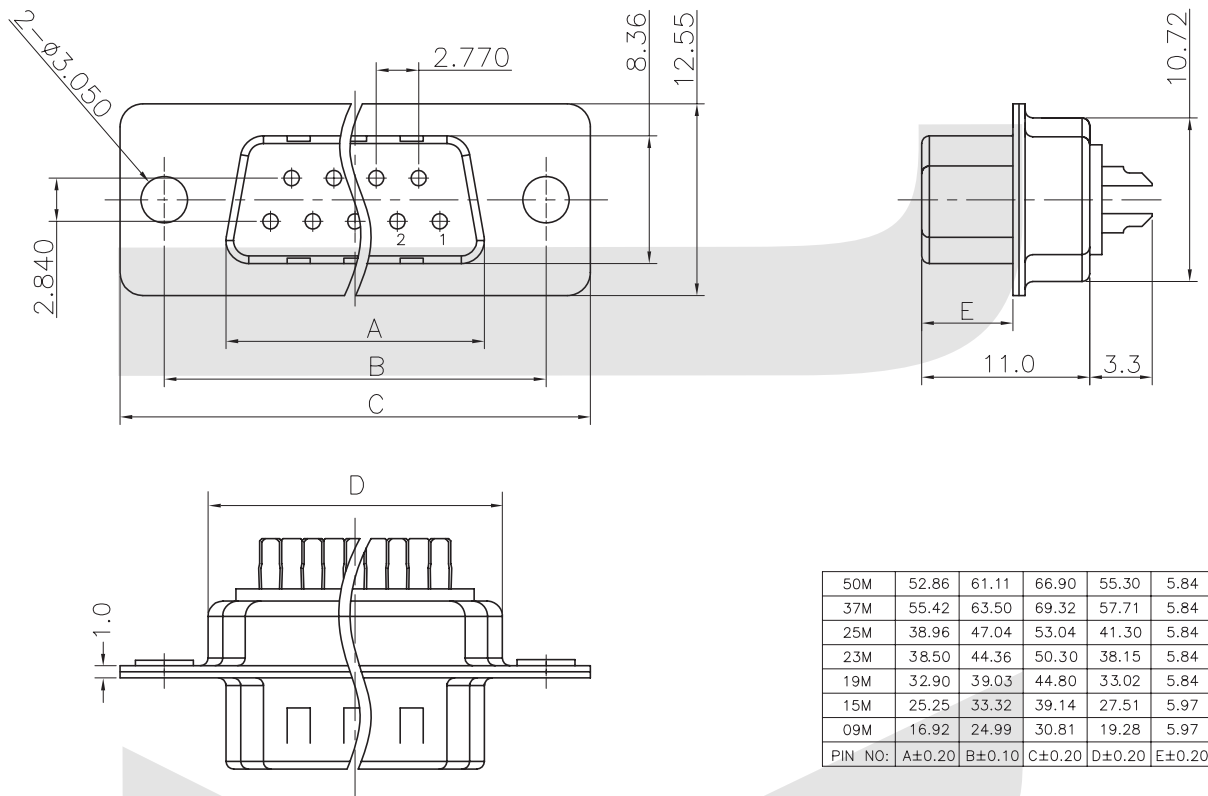
KLS1-213 D-SUB 2 ROW SOLDER TYPE

Electrical Specification:

Current Rating: 2 AMP
 Insulator Resistance: 5000M ohms min. at DC 500V
 Contact Resistance: 20m ohms max. at DC 100mA
 Operating Temperature: -55°C~+105°C

Material:

Housing: 30% Glass filled PBT UL94V-0
 Contacts: Phosphor Bronze
 Shell: Steel, 100u" Tin Over 50u" min Nickel
 Clinch Nut: Brass, 100u" min Nickel Plated
 Screwlock: Brass, 100u" min Nickel Plated



ORDER INFORMATION

Product NO.: KLS1-213-XX - M -L

Pos. NO. _____ L=Blue B=Black W=White
 001=001 pos.
 Contact Number of Row _____
 213=DB Series
 Number of Contacts _____ M=Male F=Female